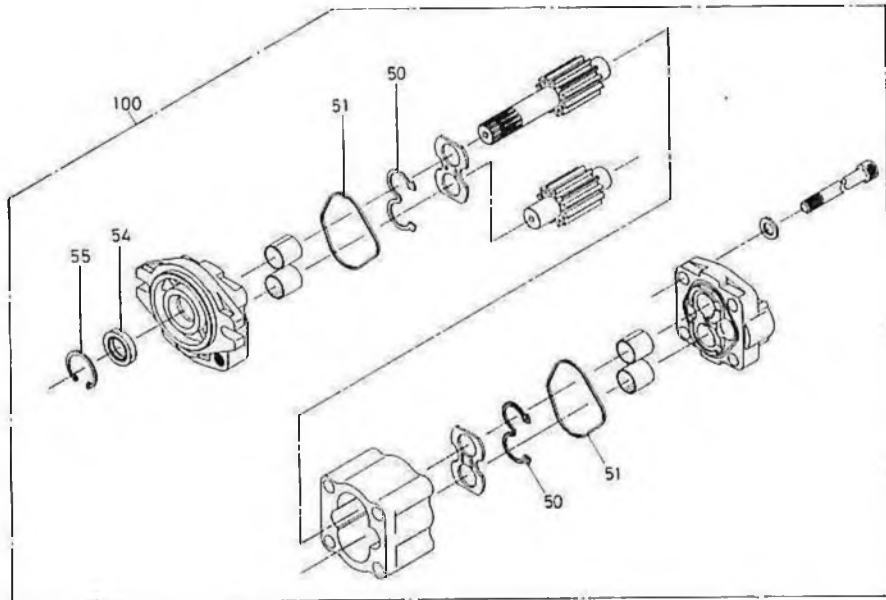


PARTS CATALOG

TM -Z300-2/P-05

組立名称: ポンプ, ハイドロリック (L, 13T) PB110-0099-00
 Assembly Name: PUMP, HYDRAULIC (L, 13T)

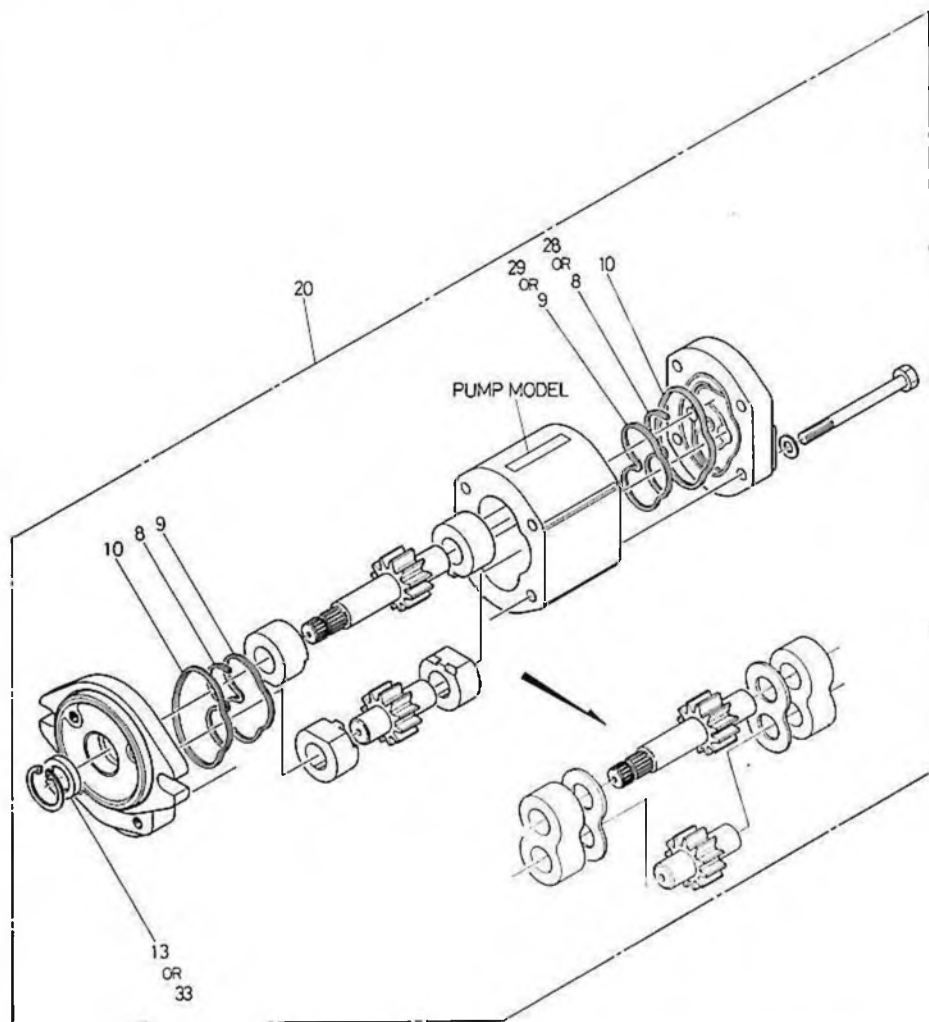


組立名称: ポンプ, ハイドロリック (L, 13T) FIG. PB110-0099-00
 Assembly Name: PUMP, HYDRAULIC (L, 13T)

仕様書番号: A < 310-120-10010 (STD) > D < 310-120-10020 (SL) > C < 310-120-10030 (R, STD) >
 Specification No.: D < 310-120-10040 (R, SL) > E < 310-120-10050 (STD, D) > F < 310-120-10060 (SL, DF) >
 G < 310-120-10070 (R, STD) > H < 310-120-10080 (R, SL) > I < 310-120-10100 (6T) >
 J < 310-120-10110 (6T, R) > K < 310-120-10120 (STD, R) > L < 310-120-10130 (SL, R) >
 M < 310-120-10140 (STD, R) > N < 310-120-10150 (STD, R) > O < 310-120-10160 (SL, R) >

指示番号 Key No.	部品番号 Part No.	部品名称 Part Name	Qty Per Section 個数													実務仕様 (変更番号)	Serial No. Modifi. No.	ページ Page
			A	B	C	D	E	F	G	H	I	J	K	L	M			
50	366-523-35010	GASKET	2	2	2	2	2	2	2	2	2	2	2	2	2	2		
51	366-523-35020	GASKET	2	2	2	2	2	2	2	2	2	2	2	2	2	2		
54	530-635-51010	SEAL, OIL (22X36X7)	1	1	1	1	1	1	1	1	1	1	1	1	1	1		
55	806-021-10360	RING, RETAINING R36	1	1	1	1	1	1	1	1	1	1	1	1	1	1		
100	366-527-30000	PUMP, HYDRAULIC (SGP1-32L616)	1	1	1	1	1	1	1	1	1	1	1	1	1	1		

組立名称 ポンプ、ハイドロリック PUMP, HYDRAULIC PB110-0130-02



注：KeyNoの2つ番号は下表のポンプ形式により選択して下さい。
 (このポンプは1983年5月頃に変更しています。)

NOTE: For the parts with two key numbers, select the pump model. (This pump was modified in May, 1983)

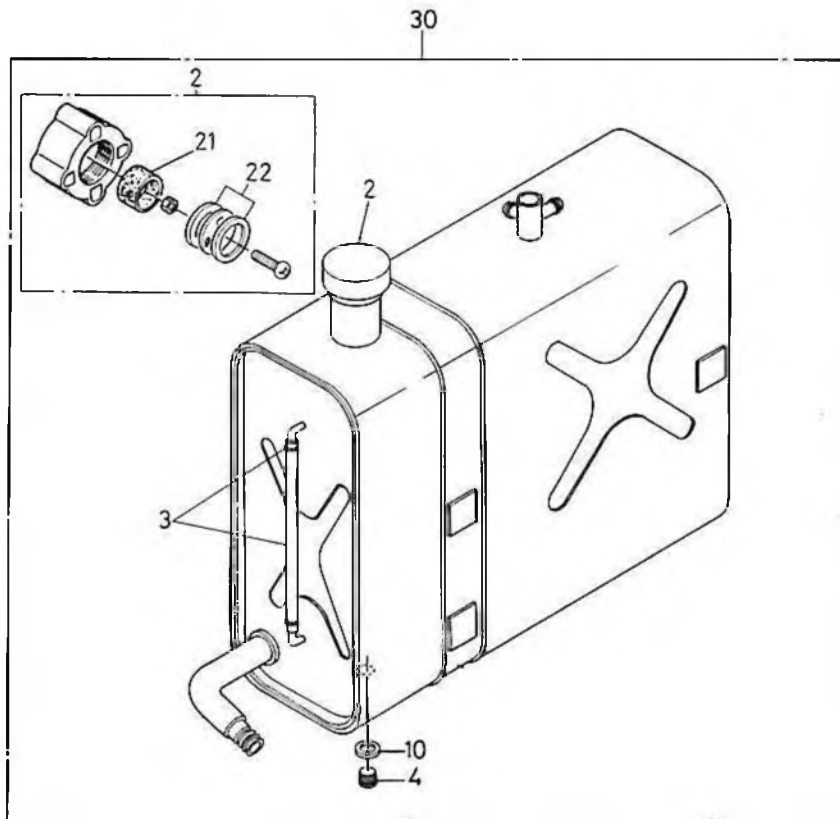
PUMP MODEL	適用KEY No.	APPLICABLE KEY No.
20-32L457	8. 9. 13.	
20-32L368	28. 29. 33	

組立名称 ポンプ、ハイドロリック PUMP, HYDRAULIC FIG. PB110-0130-02

仕様番号 A < 310-120-10010 (STD) > B < 310-120-10020 (SL) > C < 310-120-10030 (R.STD) >
 D < 310-120-10040 (R.SL) > E < 310-120-10050 (STD.D) > F < 310-120-10060 (SL.DF) >
 G < 310-120-10070 (R.STD) > H < 310-120-10080 (R.SL) > I < 310-120-10100 (6T) >
 J < 310-120-10110 (6T.R) > K < 310-120-10120 (STD.R) > L < 310-120-10130 (SL.R) >
 M < 310-120-10140 (STD.R) > N < 310-120-10150 (STD.R) > O < 310-120-10160 (SL.R) >

指示番号 Key No.	部品番号 Part No.	部品名称 Part Name	Qty Per Section 個数													実施号 (変更番号)	Serial No. Modifi. No.	ページ Page		
			A	B	C	D	E	F	G	H	I	J	K	L	M				N	O
8	514-630-02080	BACKUP STRIP	2	2	2	2	2	2	2	2	2	2	2	2	2	2	2			
9	522-639-02040	GASKET	2	2	2	2	2	2	2	2	2	2	2	2	2	2	2			
10	522-639-02050	GASKET	2	2	2	2	2	2	2	2	2	2	2	2	2	2	2			
13	366-500-35030	SEAL,OIL	1	1	1	1	1	1	1	1	1	1	1	1	1	1	1			
20	366-500-50000	PUMP, HYDRAULIC (20-32L457 OR 368)	1	1	1	1	1	1	1	1	1	1	1	1	1	1	1			
28	366-500-35070	BACKUP STRIP	2	2	2	2	2	2	2	2	2	2	2	2	2	2	2			
29	366-500-35080	GASKET	2	2	2	2	2	2	2	2	2	2	2	2	2	2	2			
33	366-500-35090	SEAL,OIL (7.25x11)	1	1	1	1	1	1	1	1	1	1	1	1	1	1	1			

組立名称 タンク、オイル
 Assembly Name TANK,OIL
 PB113-0036-01



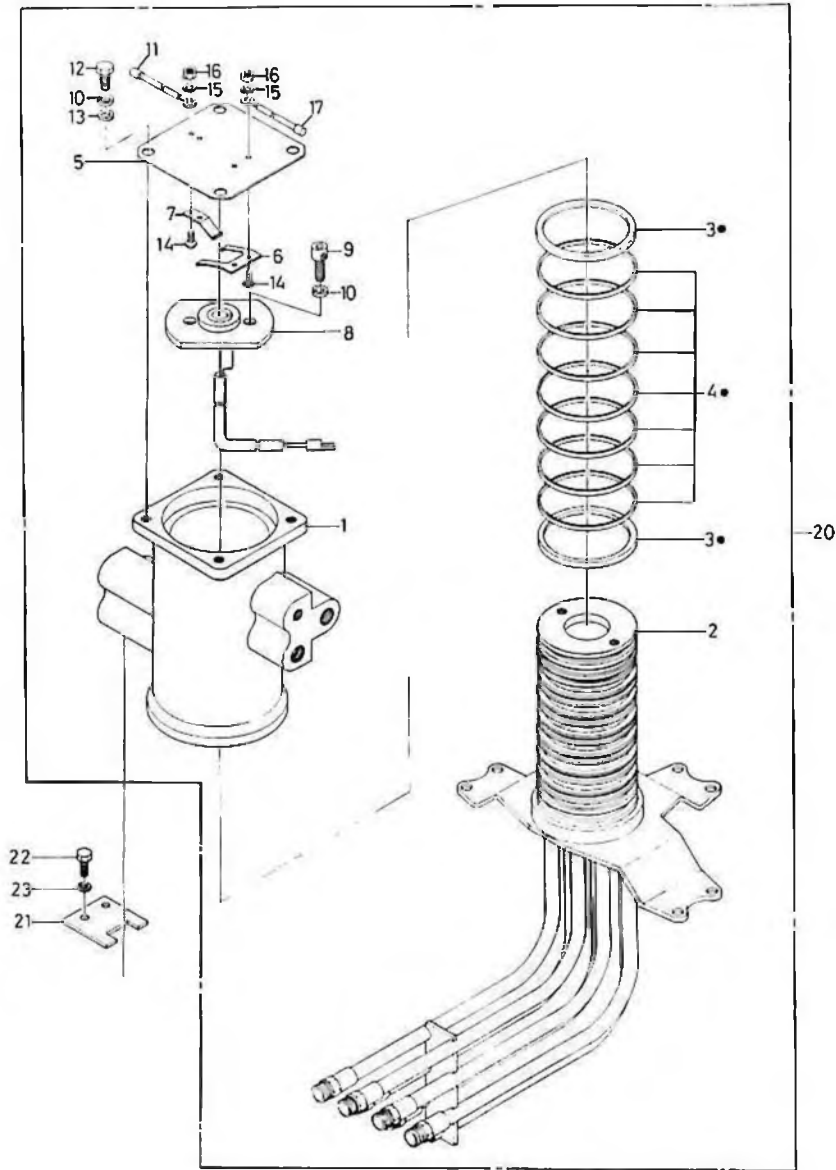
組立名称 タンク、オイル
 Assembly Name TANK,OIL
 FIG. PB113-0036-01

仕様書 No. A < 310-120-10010 (STD) > B < 310-120-10020 (SL) > C < 310-120-10030 (R.STD) >
 D < 310-120-10040 (R.SL) > E < 310-120-10050 (STD.D) > F < 310-120-10060 (SL.DF) >
 G < 310-120-10070 (R.STD) > H < 310-120-10080 (R.SL) > I < 310-120-10100 (6T) >
 J < 310-120-10110 (6T.R) > K < 310-120-10120 (STD.R) > L < 310-120-10130 (SL.R) >
 M < 310-120-10140 (STD.R) > N < 310-120-10150 (STD.R) > O < 310-120-10160 (SL.R) >

指示番号 Key No.	部品番号 Part No.	部品名称 Part Name	Oty Per Section 個数																実務号 (実更番号)	Serial No. Modifi. No.	ページ Page
			A	B	C	D	E	F	G	H	I	J	K	L	M	N	O				
2	316-600-05010	CAP,BREATHER	1	1	1	1	1	1	1	1	1	1	1	1	1	1	1				
3	316-600-05020	GAUGE ASSY (L=290)	1	1	1	1	1	1	1	1	1	1	1	1	1	1	1		- 487632		
3	316-600-05021	GAUGE ASSY (L=290)	1	1	1	1	1	1	1	1	1	1	1	1	1	1	1		(487633 -		
4	316-600-05030	PLUG	1	1	1	1	1	1	1	1	1	1	1	1	1	1	1		- 2074756)		
10	316-600-05040	GASKET	1	1	1	1	1	1	1	1	1	1	1	1	1	1	1		- 487632		
10	316-600-05041	GASKET (199SH)	1	1	1	1	1	1	1	1	1	1	1	1	1	1	1		(487633 - E01227		
10	316-600-05042	WASHER,SEAL (M20)	1	1	1	1	1	1	1	1	1	1	1	1	1	1	1		(2074756 - 2091546)		
21	316-200-07510	ELEMENT (OD-05T)	1	1	1	1	1	1	1	1	1	1	1	1	1	1	1				
22	316-200-07521	RETAINER ASSY, ELEMENT (OD-05T)	1	1	1	1	1	1	1	1	1	1	1	1	1	1	1				
30	361-008-00000	TANK,OIL	1	1	1	1	1	1	1	1	1	1	1	1	1	1	1				

組立名称 ジョイント、ロータリー
 Assembly Name JOINT, ROTARY

PB130-0057-01

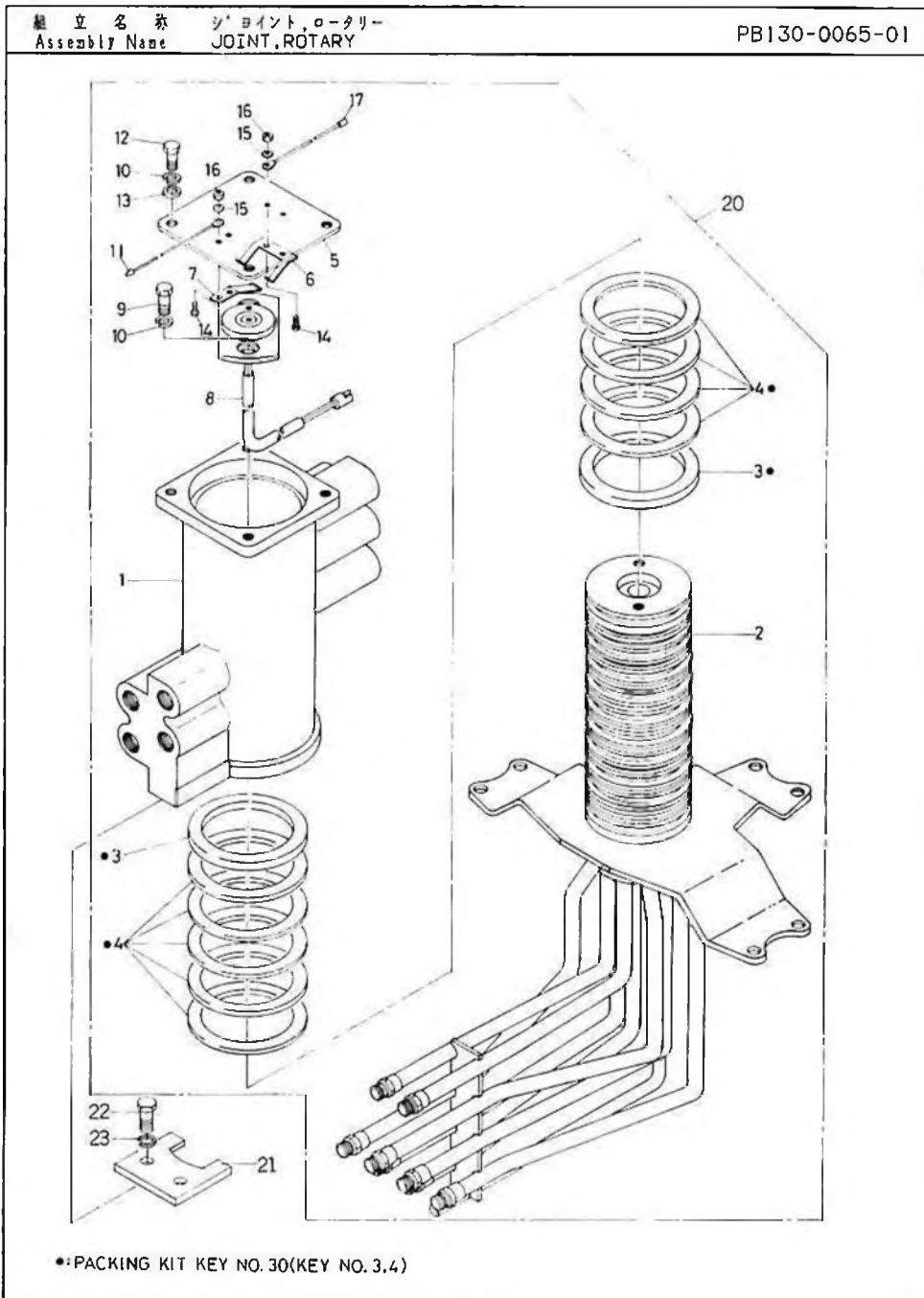


組立名称 ジョイント、ロータリー
 Assembly Name JOINT, ROTARY

FIG. PB130-0057-01

スペック 番号 A < 310-120-10010 (STD.) > B < 310-120-10020 (SL.) > C < 310-120-10030 (R.STD.) >
 Specification No. D < 310-120-10040 (R.SL.) > E < 310-120-10050 (STD.D) > F < 310-120-10060 (SL.DF) >
 G < 310-120-10070 (R.STD) > H < 310-120-10080 (R.SL.) > I < 310-120-10100 (6T) >
 J < 310-120-10110 (6T.R) > K < 310-120-10120 (STD.R) > L < 310-120-10130 (SL.R) >
 M < 310-120-10140 (STD.R) > N < 310-120-10150 (STD.R) > O < 310-120-10160 (SL.R.) >

指示番号 Key No.	部品番号 Part No.	部品名称 Part Name	Qty Per Section 個数																実装番号 (変更番号)	Serial No. Modif. No.)	ページ Page
			A	B	C	D	E	F	G	H	I	J	K	L	M	N	O				
1	316-302-00100	BODY	1	1	1	1	1	1	1	1	1	1	1	1	1	1	1				
2	316-302-00200	CORE ASSY	1	1	1	1	1	1	1	1	1	1	1	1	1	1	1				
3	915-312-08000	PACKING	2	2	2	2	2	2	2	2	2	2	2	2	2	2	2				
4	911-003-08000	RING, SEAL	7	7	7	7	7	7	7	7	7	7	7	7	7	7	7				
5	316-302-00400	COVER	1	1	1	1	1	1	1	1	1	1	1	1	1	1	1				
6	316-302-00500	BRUSH	1	1	1	1	1	1	1	1	1	1	1	1	1	1	1				
7	316-301-00030	BRUSH	1	1	1	1	1	1	1	1	1	1	1	1	1	1	1				
8	316-302-00600	RING, SLIP	1	1	1	1	1	1	1	1	1	1	1	1	1	1	1				
9	901-800-08016	BOLT, BUTTON M8X16	2	2	2	2	2	2	2	2	2	2	2	2	2	2	2				
10	903-020-40801	WASHER, SPRING 8	6	6	6	6	6	6	6	6	6	6	6	6	6	6	6				
11	316-302-00700	HARNISS	1	1	1	1	1	1	1	1	1	1	1	1	1	1	1				
12	901-022-08014	BOLT M8X14	4	4	4	4	4	4	4	4	4	4	4	4	4	4	4				
13	903-030-70801	WASHER, PLAIN 8	4	4	4	4	4	4	4	4	4	4	4	4	4	4	4				
14	801-612-03010	SCREW, MACHINE M3X10	4	4	4	4	4	4	4	4	4	4	4	4	4	4	4				
15	903-032-90301	WASHER, PLAIN 3	4	4	4	4	4	4	4	4	4	4	4	4	4	4	4				
16	902-018-00300	NUT M3	2	2	2	2	2	2	2	2	2	2	2	2	2	2	2				
17	316-302-00800	HARNISS	1	1	1	1	1	1	1	1	1	1	1	1	1	1	1				
20	316-302-00000	JOINT, ROTARY	1	1	1	1	1	1	1	1	1	1	1	1	1	1	1				
21	316-300-30011	PLATE	1	1	1	1	1	1	1	1	1	1	1	1	1	1	1				
22	901-027-10025	BOLT M10X25	2	2	2	2	2	2	2	2	2	2	2	2	2	2	2				
22	901-711-10025	BOLT M10X25	2	2	2	2	2	2	2	2	2	2	2	2	2	2	2			- EA4796 - 2082463	
23	903-020-41001	WASHER, SPRING 10	2	2	2	2	2	2	2	2	2	2	2	2	2	2	2			(EA4797 2082463)	
30	316-303-19900	PAKING KIT	1	1	1	1	1	1	1	1	1	1	1	1	1	1	1				

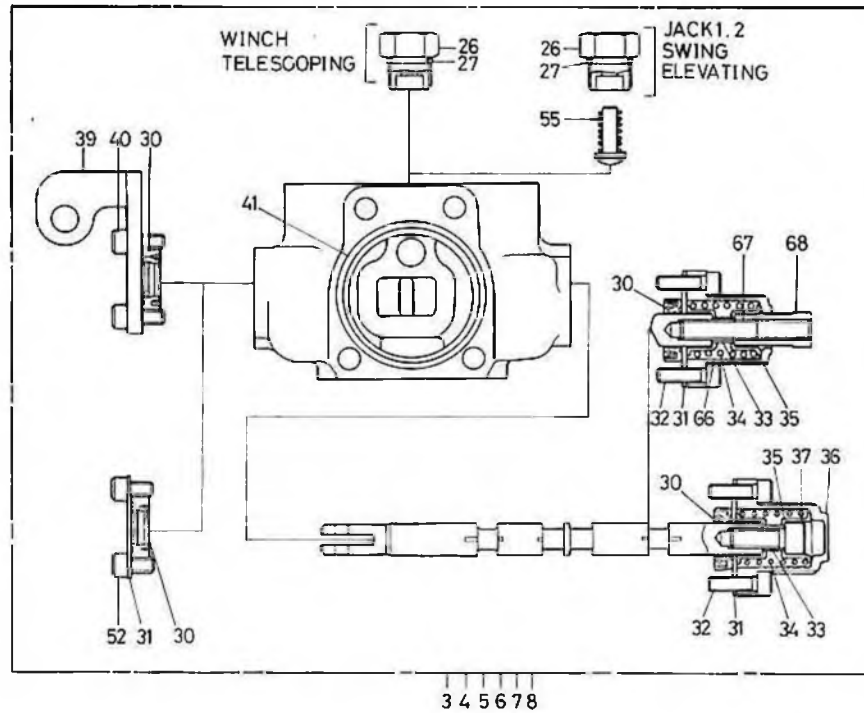
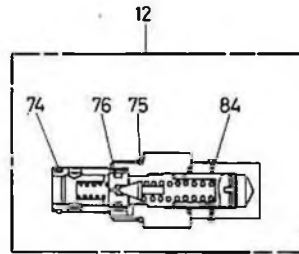
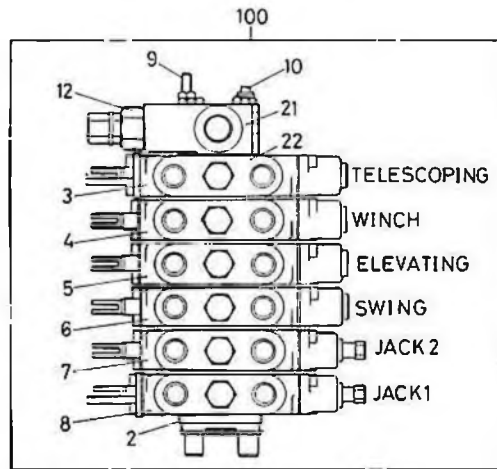


組立名称 ショイント、ロータリー
 Assembly Name JOINT, ROTARY FIG. PB130-0065-01

スペック 番号 A < 310-120-10010 (STD) > B < 310-120-10020 (SL) > C < 310-120-10030 (R.STD) >
 Specification No. D < 310-120-10040 (R.SL) > E < 310-120-10050 (STD.D) > F < 310-120-10060 (SL.DF) >
 G < 310-120-10070 (R.STD) > H < 310-120-10080 (R.SL) > I < 310-120-10100 (6T) >
 J < 310-120-10110 (6T.R) > K < 310-120-10120 (STD.R) > L < 310-120-10130 (SL.R) >
 M < 310-120-10140 (STD.R) > N < 310-120-10150 (STD.R) > O < 310-120-10160 (SL.R) >

指示番号 Key No.	部品番号 Part No.	部品名称 Part Name	Qty Per Section 個数																実装号 (変更番号)	Serial No. Modifi. No.)	ページ Page
			A	B	C	D	E	F	G	H	I	J	K	L	M	N	O				
1	316-302-10100	BOBBY								1	1	1									
2	316-302-10200	CORE ASSY								1	1	1									
3	915-312-08000	PACKING								2	2	2									
4	911-003-08000	RING, SEAL								9	9	9									
5	316-302-00400	COVER								1	1	1									
6	316-302-00500	BRUSH								1	1	1									
7	316-301-00030	BRUSH								1	1	1									
8	316-302-10500	RING, SLIP								1	1	1									
9	901-800-08016	BOLT, BUTTON M8X16								2	2	2									
10	903-020-40801	WASHER, SPRING 8								6	6	6									
11	316-302-00700	HARNESS								1	1	1									
12	901-022-08014	BOLT M8X14								4	4	4									
13	903-030-70801	WASHER, PLAIN 8								4	4	4									
14	801-612-03010	SCREW, MACHINE M3X10								4	4	4									
15	903-032-90301	WASHER, PLAIN 3								4	4	4									
16	902-018-00300	NUT M3								2	2	2									
17	316-302-00800	HARNESS								1	1	1									
20	316-302-10000	JOINT, ROTARY								1	1	1									
21	316-300-30011	PLATE								1	1	1									
22	901-027-10025	BOLT M10X25								2	2	2									
22	901-711-10025	BOLT M10X25								2	2	2								EA4796 2082463	
23	903-020-41001	WASHER, SPRING 10								2	2	2									
30	316-302-19900	PACKING KIT								1	1	1									

組立名称 バルブ、マニュアル コントロール
 Assembly Name VALVE, MANUAL CONTROL PB132-0092-02

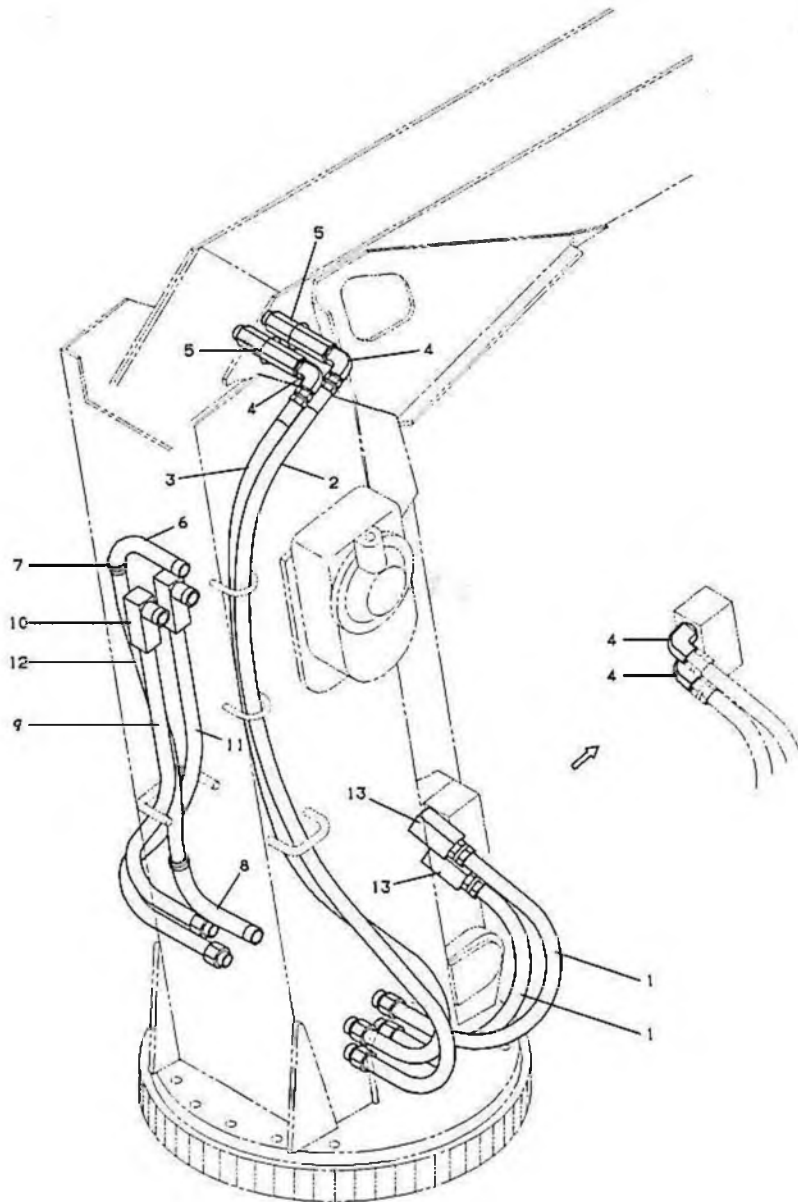


組立名称 バルブ、マニュアル コントロール
 Assembly Name VALVE, MANUAL CONTROL FIG. PB132-0092-02

仕様書番号 A < 310-120-10010 (STD) > B < 310-120-10020 (SL) > C < 310-120-10030 (R-STD) >
 D < 310-120-10040 (R.SL) > E < 310-120-10050 (STD.D) > F < 310-120-10060 (SL.DF) >
 G < 310-120-10070 (R.STD) > H < 310-120-10080 (R.SL) > I < 310-120-10100 (6T) >
 J < 310-120-10110 (6T.R) > K < 310-120-10120 (STD.R) > L < 310-120-10130 (SL.R) >
 M < 310-120-10140 (STD.R) > N < 310-120-10150 (STD.R) > O < 310-120-10160 (SL.R) >

指示番号 Key No.	部品番号 Part No.	部品名称 Part Name	Qty Per Section 個数													実施機種 (変更番号 Modifi. No.)	Serial No.	ページ Page	
			A	B	C	D	E	F	G	H	I	J	K	L	M				N
2	366-300-45070	PLATE	1	1													(2057763)		
3	366-329-15010	VALVE ASSY, CONTROL TELESOPING	1																
3	366-330-85010	VALVE ASSY, CONTROL TELESOPING	1																
4	366-329-15020	VALVE ASSY, CONTROL WINCH	1																
5	366-329-15030	VALVE ASSY, CONTROL ELEVATING	1																
5	366-330-85020	VALVE ASSY, CONTROL ELEVATING	1																
6	366-329-15040	VALVE ASSY, CONTROL SWING	1																
7	366-300-45050	VALVE ASSY, CONTROL JACK 2	1																123425
7	366-300-45050	VALVE ASSY, CONTROL JACK 2	1																2057760
7	366-329-15080	VALVE ASSY, CONTROL JACK 2	1																123474
7	366-329-15080	VALVE ASSY, CONTROL JACK 2	1																2057763
7	366-329-15080	VALVE ASSY, CONTROL JACK 2	1																123426
8	366-300-45010	VALVE ASSY, CONTROL JACK 1	1																2057760
8	366-300-45010	VALVE ASSY, CONTROL JACK 1	1																123425
8	366-329-15070	VALVE ASSY, CONTROL JACK 1	1																2057760
8	366-329-15070	VALVE ASSY, CONTROL JACK 1	1																123474
8	366-329-15070	VALVE ASSY, CONTROL JACK 1	1																2057763
9	366-329-15060	BOLT (H8X315)	1	1															123426
10	366-300-45080	BOLT (H8X287)	3	3															2057760
12	366-329-15050	VALVE ASSY, RELIEF	1	1															123425
21	366-300-45100	BODY	1	1															2057760
22	910-029-05500	O-RING 10 G55	1	1															123474
26	124-351-01160	RETAINER, VALVE	2	2															2057763
26	124-351-01160	RETAINER, VALVE	2																123474
26	124-351-01160	RETAINER, VALVE	2																2057763
26	124-351-01160	RETAINER, VALVE	2																123474
26	124-351-01160	RETAINER, VALVE	2																2057763
27	910-028-01400	O-RING 10 P14	2	2															123426
27	910-028-01400	O-RING 10 P14	2																2057760
27	910-028-01400	O-RING 10 P14	2																123425
27	910-028-01400	O-RING 10 P14	2																2057760
27	910-028-01400	O-RING 10 P14	2																123474
27	910-028-01400	O-RING 10 P14	2																2057763
30	560-513-31100	SEAL, OIL RSD13257	4	4															123425
30	560-513-31100	SEAL, OIL RSD13257	4																2057760
30	560-513-31100	SEAL, OIL RSD13257	4																123474
30	560-513-31100	SEAL, OIL RSD13257	4																2057763
30	560-513-31100	SEAL, OIL RSD13257	4																123426
30	560-513-31100	SEAL, OIL RSD13257	4																2057760

組立名称 ハイヒック、ハイドロリック アッパ - PB140-0057-01
 Assembly Name PIPING, HYDRAULIC UPPER



組立名称 ハイヒック、ハイドロリック アッパ - FIG. PB140-0057-01
 Assembly Name PIPING, HYDRAULIC UPPER

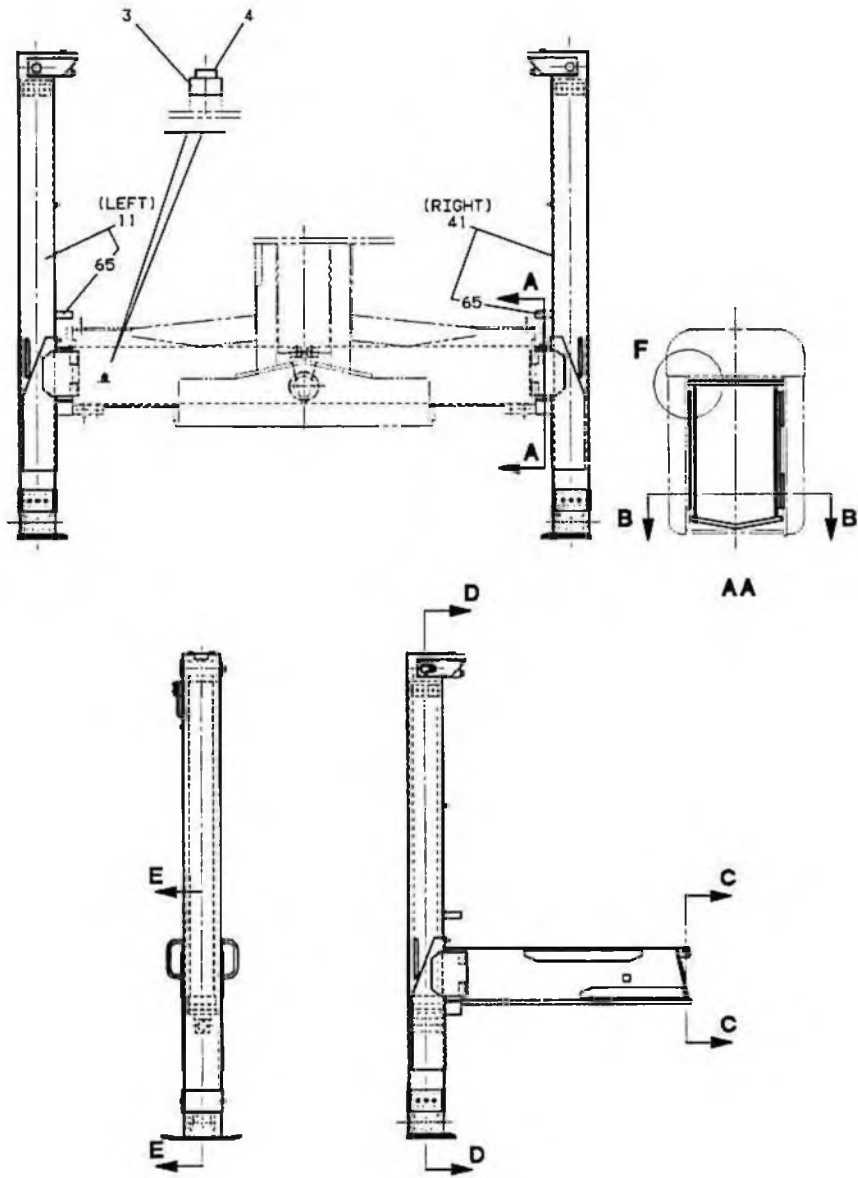
仕様番号 A < 310-120-10010 (STD) > D < 310-120-10020 (SL) > C < 310-120-10030 (R, STD) >
 Specification No. D < 310-120-10040 (R, SL) > E < 310-120-10050 (STD, D) > F < 310-120-10060 (SL, DF) >
 G < 310-120-10070 (R, STD) > H < 310-120-10080 (R, SL) > I < 310-120-10100 (6T) >
 J < 310-120-10110 (6T, R) > K < 310-120-10120 (STD, R) > L < 310-120-10130 (SL, R) >
 H < 310-120-10140 (STD, R) > N < 310-120-10150 (STD, R) > O < 310-120-10160 (SL, R) >

指示番号 Key No.	部品番号 Part No.	部品名称 Part Name	Qty Per Section 個数													実機号機 (変更番号 Modifi. No.)	Serial No. Serial No.	ページ Page	
			A	B	C	D	E	F	G	H	I	J	K	L	M				N
1	370-024-24000	HOSE	2	2	2	2	2	2	2	2	2	2	2	2	2	2			
2	370-024-03850	HOSE 1450MM	1	1	1	1	1	1	1	1	1	1	1	1	1	1			
3	370-024-24790	HOSE	1	1	1	1	1	1	1	1	1	1	1	1	1	1			
4	370-009-00750	JOINT	2	2	2	2	2	2	2	2	2	2	2	2	2	2		- 686086	
4	370-009-00750	JOINT	-	-	-	-	4	4	4	4	4	4	4	4	4	4		- 2035833	
4	370-009-00750	JOINT	4	4	4	4	4	4	4	4	4	4	4	4	4	4		686087 -	
5	370-009-05100	JOINT	2	2	2	2	2	2	2	2	2	2	2	2	2	2		(2035833 -)
6	370-008-01760	JOINT	1	1	1	1	1	1	1	1	1	1	1	1	1	1			
7	918-013-00150	BAND 15	2	2	2	2	2	2	2	2	2	2	2	2	2	2			
8	370-008-00310	JOINT	1	1	1	1	1	1	1	1	1	1	1	1	1	1			
9	370-024-00390	HOSE 610MM	1	1	1	1	1	1	1	1	1	1	1	1	1	1			
10	370-009-03110	JOINT	2	2	2	2	2	2	2	2	2	2	2	2	2	2			
11	370-024-00380	HOSE 650MM	1	1	1	1	1	1	1	1	1	1	1	1	1	1			
12	370-025-00160	HOSE	1	1	1	1	1	1	1	1	1	1	1	1	1	1			
13	313-404-40100	JOINT	2	2	2	2	2	2	2	2	2	2	2	2	2	2		- 686086	
																		- 2035833	

12

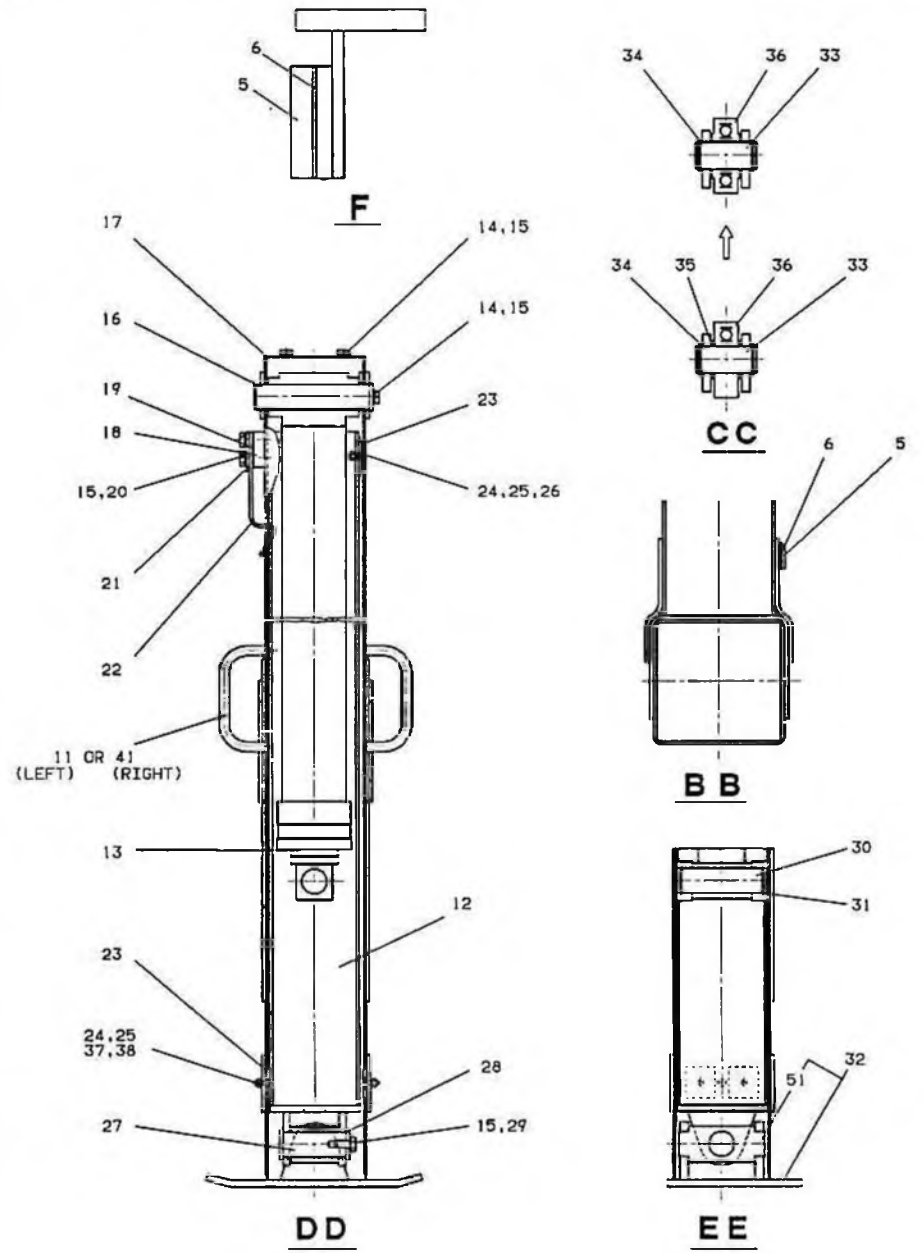
組立名称 アウトリカ
Assembly Name OTRIGGER

PC101-0076-04



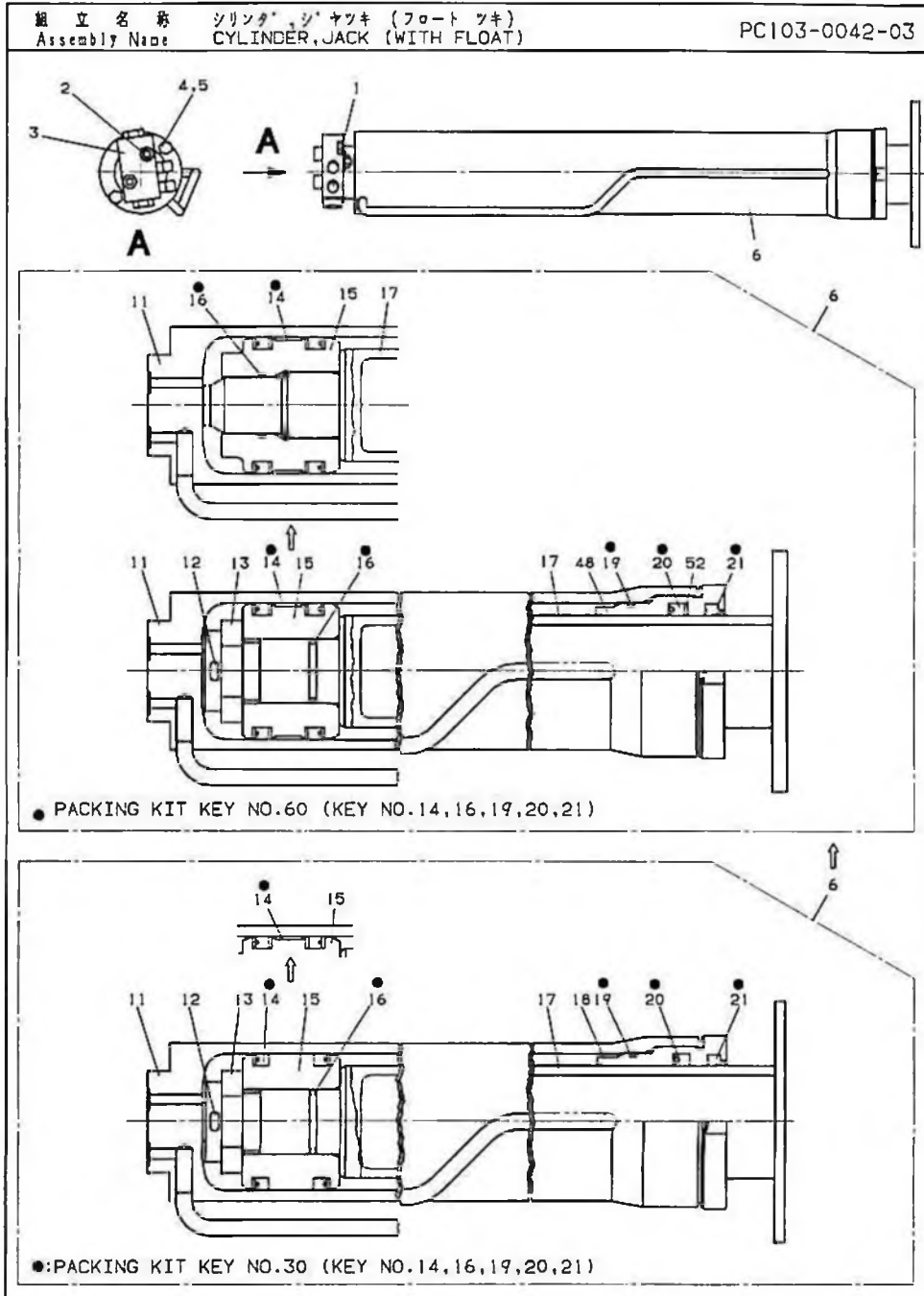
組立名称 アウトリカ
Assembly Name OTRIGGER

PC101-0076-04



組立名称 Assembly Name		アクトリカ OUTRIGGER (SL)		FIG. PC101-0076-04															
仕様書番号 Specification No.	部品番号 Part No.	部品名称 Part Name	Qty Per Section 個数								実装機種 (変更番号 Modifi. No.)	ページ Page							
Key No.	Part No.	Part Name	A	B	C	D	E	F	G	H	I	J	K	L	M	N	O	Serial No.	Page
3	902-012-01600	NUT M16	-	-	-	-	-	-	-	-	-	-	-	-	-	-	-	-	-
4	907-200-16400	SCREW,SET M16X40	-	-	-	-	-	-	-	-	-	-	-	-	-	-	-	412175	-
4	907-207-16400	SCREW,SET M16X40	-	-	-	-	-	-	-	-	-	-	-	-	-	-	-	2069379	-
5	316-105-50100	PLATE	-	-	-	-	-	-	-	-	-	-	-	-	-	-	-	412176	-
5	316-100-80110	PLATE	-	-	-	-	-	-	-	-	-	-	-	-	-	-	-	2069379	-
5	316-100-80110	PLATE	-	-	-	-	-	-	-	-	-	-	-	-	-	-	-	696963	-
6	316-100-80120	SHIM	-	-	-	-	-	-	-	-	-	-	-	-	-	-	-	2044171	-
6	316-100-80120	SHIM	-	-	-	-	-	-	-	-	-	-	-	-	-	-	-	696964	-
6	316-100-80120	SHIM	-	-	-	-	-	-	-	-	-	-	-	-	-	-	-	2044171	-
11	316-105-51000	CASE, OUTER (LEFT)	-	-	-	-	-	-	-	-	-	-	-	-	-	-	-	696964	-
11	316-105-51001	CASE, OUTER (LEFT)	-	-	-	-	-	-	-	-	-	-	-	-	-	-	-	2044171	-
12	316-105-52000	CASE, INNER	-	-	-	-	-	-	-	-	-	-	-	-	-	-	-	412166	-
12	316-105-52001	CASE, INNER	-	-	-	-	-	-	-	-	-	-	-	-	-	-	-	2065891	-
13	***-***-***	CYLINDER, JACK	-	-	-	-	-	-	-	-	-	-	-	-	-	-	-	485016	-
14	901-012-10014	BOLT M10X14	-	-	-	-	-	-	-	-	-	-	-	-	-	-	-	485017	-
15	903-020-41001	WASHER, SPRING 10	-	-	-	-	-	-	-	-	-	-	-	-	-	-	-	2069805	-
16	370-001-34740	PIN	-	-	-	-	-	-	-	-	-	-	-	-	-	-	-	485017	-
17	316-100-50100	COVER	-	-	-	-	-	-	-	-	-	-	-	-	-	-	-	485016	-
18	316-100-50110	PLATE	-	-	-	-	-	-	-	-	-	-	-	-	-	-	-	2069805	-
19	508-220-12000	SHIM	-	-	-	-	-	-	-	-	-	-	-	-	-	-	-	124267	-
20	901-912-10025	BOLT M10X25	-	-	-	-	-	-	-	-	-	-	-	-	-	-	-	2057627	-
21	508-220-14000	PLATE	-	-	-	-	-	-	-	-	-	-	-	-	-	-	-	2057627	-
22	508-220-13000	SPRING	-	-	-	-	-	-	-	-	-	-	-	-	-	-	-	124267	-
22	370-014-00200	SPRING	-	-	-	-	-	-	-	-	-	-	-	-	-	-	-	2057627	-
23	370-020-00540	PLATE, SLIDE	-	-	-	-	-	-	-	-	-	-	-	-	-	-	-	485016	-
23	370-020-06810	PLATE, SLIDE	-	-	-	-	-	-	-	-	-	-	-	-	-	-	-	2069805	-
24	801-852-06016	SCREW, MACHINE M6X16	-	-	-	-	-	-	-	-	-	-	-	-	-	-	-	485017	-
24	801-852-06020	SCREW, MACHINE M6X20	-	-	-	-	-	-	-	-	-	-	-	-	-	-	-	485016	-
25	903-020-40601	WASHER, SPRING M6	-	-	-	-	-	-	-	-	-	-	-	-	-	-	-	2069805	-
25	903-020-40601	WASHER, SPRING M6	-	-	-	-	-	-	-	-	-	-	-	-	-	-	-	485016	-
26	902-018-00600	NUT	-	-	-	-	-	-	-	-	-	-	-	-	-	-	-	2069805	-
27	370-001-04130	PIN	-	-	-	-	-	-	-	-	-	-	-	-	-	-	-	485016	-
28	312-000-30550	PLATE	-	-	-	-	-	-	-	-	-	-	-	-	-	-	-	2069805	-
29	901-912-10020	BOLT M10X20	-	-	-	-	-	-	-	-	-	-	-	-	-	-	-	485017	-
30	370-001-05010	PIN	-	-	-	-	-	-	-	-	-	-	-	-	-	-	-	2069805	-

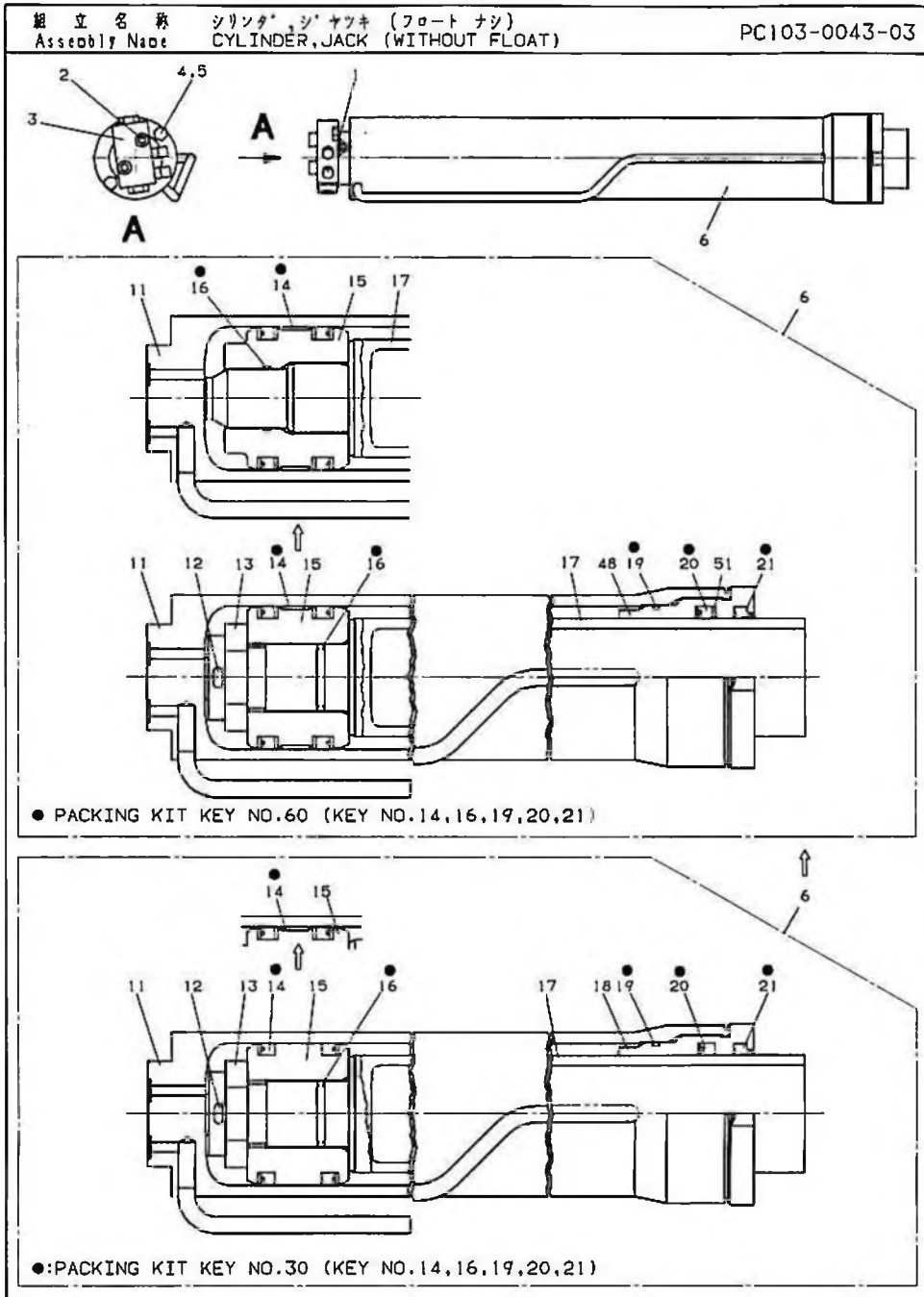
組立名称 Assembly Name		アクトリカ OUTRIGGER (SL)		FIG. PC101-0076-04															
仕様書番号 Specification No.	部品番号 Part No.	部品名称 Part Name	Qty Per Section 個数								実装機種 (変更番号 Modifi. No.)	ページ Page							
Key No.	Part No.	Part Name	A	B	C	D	E	F	G	H	I	J	K	L	M	N	O	Serial No.	Page
31	806-021-10350	RING, RETAINING R35	-	-	-	-	-	-	-	-	-	-	-	-	-	-	-	-	-
32	316-100-55000	FLOAT ASSY	-	-	-	-	-	-	-	-	-	-	-	-	-	-	-	-	-
33	370-001-34180	PIN	-	-	-	-	-	-	-	-	-	-	-	-	-	-	-	-	-
34	806-011-10150	RING, RETAINING 15	-	-	-	-	-	-	-	-	-	-	-	-	-	-	-	-	-
35	806-011-10170	RING, RETAINING S17	-	-	-	-	-	-	-	-	-	-	-	-	-	-	-	-	-
35	370-005-38730	PLATE	-	-	-	-	-	-	-	-	-	-	-	-	-	-	-	687380	-
35	370-005-38730	PLATE	-	-	-	-	-	-	-	-	-	-	-	-	-	-	-	2035688	-
36	805-160-06302	BEARING, BALL	-	-	-	-	-	-	-	-	-	-	-	-	-	-	-	412165	-
36	805-160-06302	BEARING, BALL	-	-	-	-	-	-	-	-	-	-	-	-	-	-	-	687381	-
36	805-160-06302	BEARING, BALL	-	-	-	-	-	-	-	-	-	-	-	-	-	-	-	2035688	-
36	805-160-06302	BEARING, BALL	-	-	-	-	-	-	-	-	-	-	-	-	-	-	-	412166	-
36	805-160-06302	BEARING, BALL	-	-	-	-	-	-	-	-	-	-	-	-	-	-	-	2065891	-
37	902-402-00600	NUT, CAP M6	-	-	-	-	-	-	-	-	-	-	-	-	-	-	-	412165	-
38	903-030-70601	WASHER, PLAIN 6	-	-	-	-	-	-	-	-	-	-	-	-	-	-	-	2065891	-
41	316-105-51500	CASE, OUTER (RIGHT)	-	-	-	-	-	-	-	-	-	-	-	-	-	-	-	485017	-
41	316-105-51501	CASE, OUTER (RIGHT)	-	-	-	-	-	-	-	-	-	-	-	-	-	-	-	2069805	-
51	316-100-55010	TRUNNION	-	-	-	-	-	-	-	-	-	-	-	-	-	-	-	485016	-
65	316-105-91250	PLATE	-	-	-	-	-	-	-	-	-	-	-	-	-	-	-	412165	-
65	316-105-91250	PLATE	-	-	-	-	-	-	-	-	-	-	-	-	-	-	-	2065891	-



組立名称 シリンダ、ジャッキ (フロート付き)
 Assembly Name CYLINDER, JACK (WITH FLOAT) FIG. PC103-0042-03

スペック番号 A < 310-120-10010 (STD.) > B < 310-120-10020 (SL.) > C < 310-120-10030 (R.STD.) >
 Specification No. D < 310-120-10040 (R.SL.) > E < 310-120-10050 (STD.D) > F < 310-120-10060 (SL.DF) >
 G < 310-120-10070 (R.STD) > H < 310-120-10080 (R.SL.) > I < 310-120-10100 (6T.) >
 J < 310-120-10110 (6T.R) > K < 310-120-10120 (STD.R) > L < 310-120-10130 (SL.R) >
 M < 310-120-10140 (STD.R) > N < 310-120-10150 (STD.R) > O < 310-120-10160 (SL.R.) >

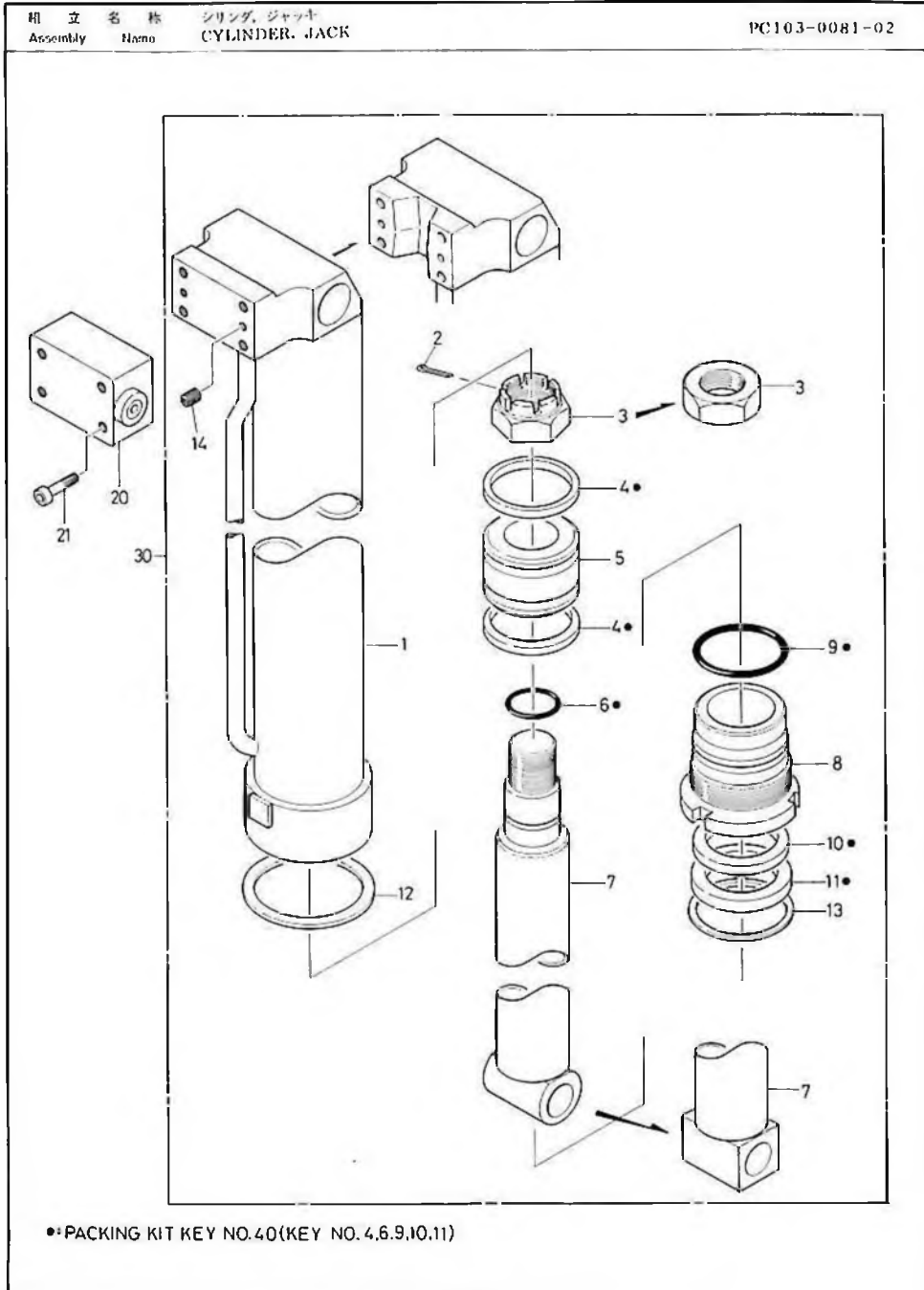
指示番号 Key No.	部品番号 Part No.	部品名称 Part Name	Qty Per Section																実装号機 (変更番号)	Serial No. Modif. No.)	ページ Page
			A	B	C	D	E	F	G	H	I	J	K	L	M	N	O				
1	910-011-01000	O-RING 1A P10	2	2	2	2	2	2	2	2	2	2	2	2	2	2		(
2	901-315-10040	BOLT,HEXAGON SOCKET M10X40	2	2	2	2	2	2	2	2	2	2	2	2	2	2		(EA5594 - 2083030)		
2	901-721-10040	BOLT,HEXAGON SOCKET M10X40	2	2	2	2	2	2	2	2	2	2	2	2	2	2		(EA5595 - 2083030)	442	
3	366-223-40000	VALVE,PILOT CHECK	1	1	1	1	1	1	1	1	1	1	1	1	1	1		(
4	901-915-10025	BOLT M10X25	2	2	2	2	2	2	2	2	2	2	2	2	2	2		(EA5594 - 2083030)		
4	901-741-10025	BOLT M10X25	2	2	2	2	2	2	2	2	2	2	2	2	2	2		(EA5595 - 2083030)		
5	903-071-91001	WASHER	2	2	2	2	2	2	2	2	2	2	2	2	2	2		(686027 - 2036167)		
5	316-105-40010	WASHER,PLAIN	2	2	2	2	2	2	2	2	2	2	2	2	2	2		(
5	316-105-40010	WASHER,PLAIN	2	2	2	2	2	2	2	2	2	2	2	2	2	2		(686028 - 2036167)		
6	360-314-00000	CYLINDER ASSY	1	1	1	1	1	1	1	1	1	1	1	1	1	1		(EA8623 - 2087992)		
6	360-334-30000	CYLINDER ASSY	1	1	1	1	1	1	1	1	1	1	1	1	1	1		(EA8624 - 2087992)		
11	360-314-80100	CYLINDER	1	1	1	1	1	1	1	1	1	1	1	1	1	1		(EA8623 - 2087992)		
11	360-314-80100	CYLINDER	1	1	1	1	1	1	1	1	1	1	1	1	1	1		(EA8624 - 2087992)		
12	801-360-63065	PIN,SPRIT 6.3X65	1	1	1	1	1	1	1	1	1	1	1	1	1	1		(EA8623 - 2087992)		
13	370-016-01100	NUT M36X2	1	1	1	1	1	1	1	1	1	1	1	1	1	1		(EA8623 - 2087992)		
14	913-502-08501	BEARING,PLAIN WPB-85A SA	1	1	1	1	1	1	1	1	1	1	1	1	1	1		(EA8623 - 2087992)		
14	913-502-08501	BEARING,PLAIN WPB-85A SA	1	1	1	1	1	1	1	1	1	1	1	1	1	1		(EA8624 - 2087992)		
15	360-314-80500	PISTON	1	1	1	1	1	1	1	1	1	1	1	1	1	1		(EA8623 - 2087992)		
15	360-339-20200	PISTON	1	1	1	1	1	1	1	1	1	1	1	1	1	1		(EA8624 - 2087992)		
16	910-028-03400	O-RING 1B P34	1	1	1	1	1	1	1	1	1	1	1	1	1	1		(EA8623 - 2087992)		
16	910-029-03500	O-RING 1B G35	1	1	1	1	1	1	1	1	1	1	1	1	1	1		(EA8624 - 2087992)		
17	360-314-80300	ROD	1	1	1	1	1	1	1	1	1	1	1	1	1	1		(EA8623 - 2087992)		
17	360-314-80301	ROD	1	1	1	1	1	1	1	1	1	1	1	1	1	1		(EA8624 - 2087992)		
18	360-314-80400	COVER,ROD	1	1	1	1	1	1	1	1	1	1	1	1	1	1		(EA8623 - 2087992)		
19	910-029-08000	O-RING 1B G80	1	1	1	1	1	1	1	1	1	1	1	1	1	1		(EA8623 - 2087992)		
19	910-029-08000	O-RING 1B G80	1	1	1	1	1	1	1	1	1	1	1	1	1	1		(EA8624 - 2087992)		
20	916-940-07001	PACKING	1	1	1	1	1	1	1	1	1	1	1	1	1	1		(EA8623 - 2087992)		
20	916-940-07001	PACKING	1	1	1	1	1	1	1	1	1	1	1	1	1	1		(EA8624 - 2087992)		
21	916-600-07001	SEAL,DUST	1	1	1	1	1	1	1	1	1	1	1	1	1	1		(EA8623 - 2087992)		
21	916-600-07001	SEAL,DUST	1	1	1	1	1	1	1	1	1	1	1	1	1	1		(EA8624 - 2087992)		
30	360-314-89900	PACKING KIT	1	1	1	1	1	1	1	1	1	1	1	1	1	1		(EA8623 - 2087992)		
48	360-327-10200	COVER,ROD	1	1	1	1	1	1	1	1	1	1	1	1	1	1		(EA8624 - 2087992)		
52	914-102-07001	RING,BACKUP	1	1	1	1	1	1	1	1	1	1	1	1	1	1		(EA8624 - 2087992)		
60	360-327-19900	PACKING KIT	1	1	1	1	1	1	1	1	1	1	1	1	1	1		(EA8624 - 2087992)		



組立名称 シリンダ、シヤツキ (フロートなし)
 Assembly Name CYLINDER, JACK (WITHOUT FLOAT) FIG. PC103-0043-03

スペック番号 A < 310-120-10010 (STD) > B < 310-120-10020 (SL) > C < 310-120-10030 (R.STD) >
 Specification No. D < 310-120-10040 (R.SL) > E < 310-120-10050 (STD.D) > F < 310-120-10060 (SL.OF) >
 G < 310-120-10070 (R.STD) > H < 310-120-10080 (R.SL) > I < 310-120-10100 (6T) >
 J < 310-120-10110 (6T.R) > K < 310-120-10120 (STD.R) > L < 310-120-10130 (SL.R) >
 M < 310-120-10140 (STD.R) > N < 310-120-10150 (STD.R) > O < 310-120-10160 (SL.R) >

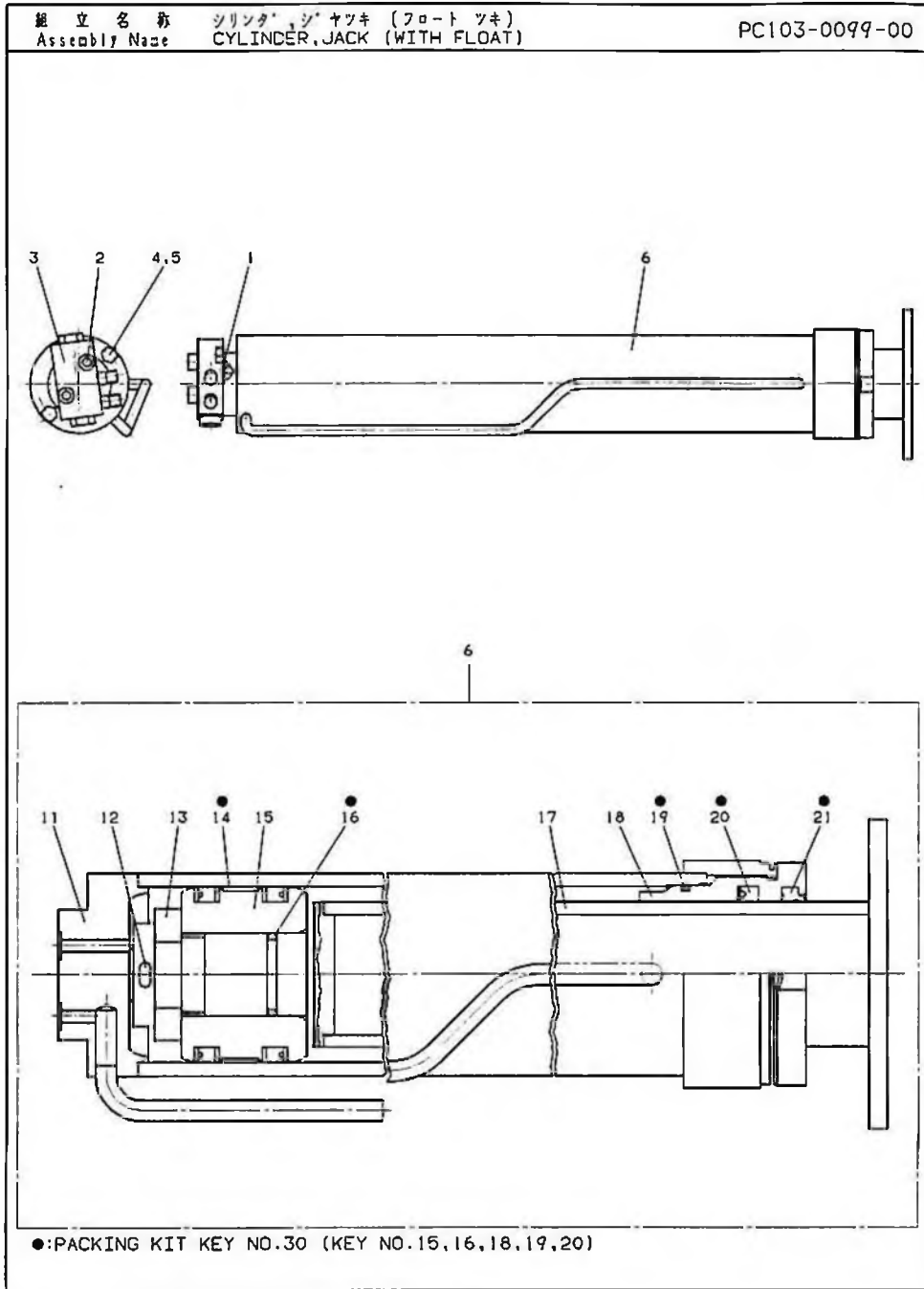
指示番号 Key No.	部品番号 Part No.	部品名称 Part Name	Qty Per Section													実施号換 (変更番号)	Serial No. (Modif. No.)	ページ Page	
			A	B	C	D	E	F	G	H	I	J	K	L	M				N
1	910-011-01000	O,RING 1A P10	2	2	2	2	2	2	2	2	2	2	2	2	2	2			
2	901-315-10040	BOLT,HEXAGON SOCKET M10X40	2	2	2	2	2	2	2	2	2	2	2	2	2	2		- EA5594 (2083030)	
2	901-721-10040	BOLT,HEXAGON SOCKET M10X40	2	2	2	2	2	2	2	2	2	2	2	2	2	2		EA5595 (2083030)	
3	366-223-40000	VALVE,PILOT CHECK	1	1	1	1	1	1	1	1	1	1	1	1	1	1			442
4	901-915-10025	BOLT M10X25	2	2	2	2	2	2	2	2	2	2	2	2	2	2		- EA5594 (2083030)	
4	901-741-10025	BOLT M10X25	2	2	2	2	2	2	2	2	2	2	2	2	2	2		EA5595 (2083030)	
5	903-071-91001	WASHER	2	2	2	2	2	2	2	2	2	2	2	2	2	2		- 686027 (2036169)	
5	316-105-40010	WASHER,PLAIN	2	2	2	2	2	2	2	2	2	2	2	2	2	2		686028 (2036169)	
5	316-105-40010	WASHER,PLAIN	2	2	2	2	2	2	2	2	2	2	2	2	2	2		- EA8623 (2087994)	
6	360-315-70000	CYLINDER ASSY	1	1	1	1	1	1	1	1	1	1	1	1	1	1		- EA8624 (2087994)	
6	360-331-30000	CYLINDER ASSY	1	1	1	1	1	1	1	1	1	1	1	1	1	1		EA8624 (2087994)	
11	360-314-80100	CYLINDER	1	1	1	1	1	1	1	1	1	1	1	1	1	1		- EA8623 (2087994)	
11	360-314-80100	CYLINDER	1	1	1	1	1	1	1	1	1	1	1	1	1	1		EA8624 (2087994)	
12	801-360-63065	PIN,SPRIT 6.3X65	1	1	1	1	1	1	1	1	1	1	1	1	1	1		- EA8623 (2087994)	
13	370-016-01100	NUT M36X2	1	1	1	1	1	1	1	1	1	1	1	1	1	1		- EA8623 (2087994)	
14	913-502-08501	BEARING,PLAIN WPD-85A 5A	2	2	2	2	2	2	2	2	2	2	2	2	2	2		- EA8623 (2087994)	
14	913-502-08501	BEARING,PLAIN WPD-85A 5A	1	1	1	1	1	1	1	1	1	1	1	1	1	1		EA8624 (2087994)	
15	360-314-80500	PISTON	1	1	1	1	1	1	1	1	1	1	1	1	1	1		- EA8623 (2087994)	
15	360-339-20200	PISTON	1	1	1	1	1	1	1	1	1	1	1	1	1	1		EA8624 (2087994)	
16	910-028-03400	O,RING 1D P34	1	1	1	1	1	1	1	1	1	1	1	1	1	1		- EA8623 (2087994)	
16	910-029-03500	O,RING 1B G35	1	1	1	1	1	1	1	1	1	1	1	1	1	1		EA8624 (2087994)	
17	360-315-70100	ROD	1	1	1	1	1	1	1	1	1	1	1	1	1	1		- EA8623 (2087994)	
17	360-315-70101	ROD	1	1	1	1	1	1	1	1	1	1	1	1	1	1		EA8624 (2087994)	
18	360-314-80400	COVER,ROD	1	1	1	1	1	1	1	1	1	1	1	1	1	1		- EA8623 (2087994)	
19	910-029-05000	O,RING 1B G80	1	1	1	1	1	1	1	1	1	1	1	1	1	1		- EA8623 (2087994)	
19	910-029-08000	O,RING 1B G80	1	1	1	1	1	1	1	1	1	1	1	1	1	1		EA8624 (2087994)	
20	916-940-07001	PACKING	1	1	1	1	1	1	1	1	1	1	1	1	1	1		- EA8623 (2087994)	
20	916-940-07001	PACKING	1	1	1	1	1	1	1	1	1	1	1	1	1	1		EA8624 (2087994)	
21	916-600-07001	SEAL,DUST	1	1	1	1	1	1	1	1	1	1	1	1	1	1		- EA8623 (2087994)	
21	916-600-07001	SEAL,DUST	1	1	1	1	1	1	1	1	1	1	1	1	1	1		EA8624 (2087994)	
30	360-314-89900	PACKING KIT	1	1	1	1	1	1	1	1	1	1	1	1	1	1		- EA8623 (2087994)	
48	360-327-10200	COVER,ROD	1	1	1	1	1	1	1	1	1	1	1	1	1	1		EA8624 (2087994)	
51	914-102-07001	RING,BACKUP	1	1	1	1	1	1	1	1	1	1	1	1	1	1		- EA8624 (2087994)	
60	360-327-19900	PACKING KIT	1	1	1	1	1	1	1	1	1	1	1	1	1	1		EA8624 (2087994)	



組立名称 シリンダ、ジャッキ
Assembly Name CYLINDER, JACK FIG. PC103-0081-02

仕様書番号 A < 310-120-10010 (STD) > B < 310-120-10020 (SL) > C < 310-120-10030 (R-STD) >
Specification No. D < 310-120-10040 (R,SL) > E < 310-120-10050 (STD,D) > F < 310-120-10060 (SL,DF) >
G < 310-120-10070 (R,STD) > H < 310-120-10080 (R,SL) > I < 310-120-10100 (6T) >
J < 310-120-10110 (6T,R) > K < 310-120-10120 (STD,R) > L < 310-120-10130 (SL,R) >
M < 310-120-10140 (STD,R) > N < 310-120-10150 (STD,R) > O < 310-120-10160 (SL,R) >

指示番号 Key No	部品番号 Part No.	部品名称 Part Name	Qty Per Section 個数																実施号機 (変更番号)	Serial No (Modif. No.)	ページ Page
			A	B	C	D	E	F	G	H	I	J	K	L	M	N	O				
1	360-301-20010	CYLINDER	-	1	-	1	-	1	-	1	-	1	-	1	-	1					
2	801-360-63065	PIN,SPRIT 6.3X65	-	1	-	1	-	1	-	1	-	1	-	1	-	1					
3	370-016-01100	NUT M3X2	-	1	-	1	-	1	-	1	-	1	-	1	-	1					
4	915-003-08005	PACKING	-	2	-	2	-	2	-	2	-	2	-	2	-	2	- 689220				
4	916-840-08001	PACKING	-	2	-	2	-	2	-	2	-	2	-	2	-	2	- 2031560				
4	916-840-08001	PACKING	-	2	-	2	-	2	-	2	-	2	-	2	-	2	689221 -				
5	360-301-20070	PISTON	-	1	-	1	-	1	-	1	-	1	-	1	-	1	(2031560 -)				
5	360-301-20170	PISTON	-	1	-	1	-	1	-	1	-	1	-	1	-	1	- 689220				
5	360-301-20170	PISTON	-	1	-	1	-	1	-	1	-	1	-	1	-	1	- 2031560				
5	360-301-20170	PISTON	-	1	-	1	-	1	-	1	-	1	-	1	-	1	689221 -				
6	910-028-03400	O,RING 1R P34	-	1	-	1	-	1	-	1	-	1	-	1	-	1	(2031560 -)				
7	360-301-20080	ROD	-	1	-	1	-	1	-	1	-	1	-	1	-	1					
8	360-301-20160	COVER,ROD	-	1	-	1	-	1	-	1	-	1	-	1	-	1					
9	910-029-07500	O,RING 1D G75	-	1	-	1	-	1	-	1	-	1	-	1	-	1					
10	916-941-06500	PACKING	-	1	-	1	-	1	-	1	-	1	-	1	-	1					
11	916-600-06501	SEAL,DUST	-	1	-	1	-	1	-	1	-	1	-	1	-	1					
12	360-301-20170	PLATE	-	1	-	1	-	1	-	1	-	1	-	1	-	1					
14	360-301-20150	ORIFICE	-	2	-	2	-	2	-	2	-	2	-	2	-	2					
20	366-209-80005	VALVE,PILOT CHECK	-	1	-	1	-	1	-	1	-	1	-	1	-	1					
21	901-315-10065	BOLT,HEXAGON SOCKET M10X65	-	4	-	4	-	4	-	4	-	4	-	4	-	4	- EA5594				
21	901-721-10065	BOLT,HEXAGON SOCKET M10X65	-	4	-	4	-	4	-	4	-	4	-	4	-	4	- 2083063				
21	901-721-10065	BOLT,HEXAGON SOCKET M10X65	-	4	-	4	-	4	-	4	-	4	-	4	-	4	EA5595 -				
30	360-301-20000	CYLINDER ASSY	-	1	-	1	-	1	-	1	-	1	-	1	-	1	(2083063 -)	446			
40	360-301-29901	PACKING KIT	-	1	-	1	-	1	-	1	-	1	-	1	-	1					

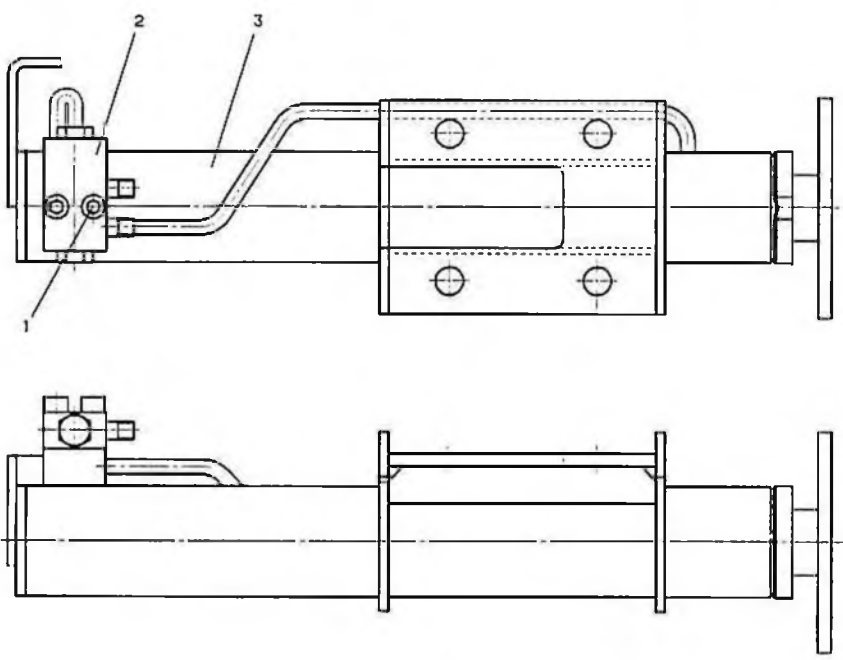


組立名称 シリンダ・ジャッキ (フロート ツキ)
 Assembly Name CYLINDER, JACK (WITH FLOAT) FIG. PC103-0099-00

仕様番号 A < 310-120-10010 (STD) > B < 310-120-10020 (SL) > C < 310-120-10030 (R.STD) >
 Specification No. D < 310-120-10040 (R.SL) > E < 310-120-10050 (STD.D) > F < 310-120-10060 (SL.DF) >
 G < 310-120-10070 (R.STD) > H < 310-120-10080 (R.SL) > I < 310-120-10100 (6T) >
 J < 310-120-10110 (6T.R) > K < 310-120-10120 (STD.R) > L < 310-120-10130 (SL.R) >
 M < 310-120-10140 (STD.R) > N < 310-120-10150 (STD.R) > O < 310-120-10160 (SL.R) >

指示番号 Key No.	部品番号 Part No.	部品名称 Part Name	Qty Per Section 個数													実施号機 (変更番号)	Serial No. Modifi. No.	ページ Page
			A	B	C	D	E	F	G	H	I	J	K	L	M			
1	910-011-01000	O-RING 1A P10	2	2	2	2	2	2	2	2	2	2	2	2	2			
2	901-315-10040	BOLT, HEXAGON SOCKET M10X40	2	2	2	2	2	2	2	2	2	2	2	2	2		- EAS594 - 2083030	
2	901-721-10040	BOLT, HEXAGON SOCKET M10X40	2	2	2	2	2	2	2	2	2	2	2	2	2		EAS595 (2083030 -)	442
3	366-223-40000	VALVE-PILOT CHECK	1	1	1	1	1	1	1	1	1	1	1	1	1			
4	901-915-10025	BDLT M10X25	2	2	2	2	2	2	2	2	2	2	2	2	2		- EAS594 - 2083030	
4	901-741-10025	BOLT M10X25	2	2	2	2	2	2	2	2	2	2	2	2	2		EAS595 (2083030 -)	
5	316-105-40010	WASHER-PLAIN	2	2	2	2	2	2	2	2	2	2	2	2	2			
6	360-324-90000	CYLINDER ASSY	1	1	1	1	1	1	1	1	1	1	1	1	1			
11	360-324-90100	CYLINDER	1	1	1	1	1	1	1	1	1	1	1	1	1			
12	801-360-63065	PIN,SPRIT 6.3X65	1	1	1	1	1	1	1	1	1	1	1	1	1			
13	370-016-01100	NUT R36X2	1	1	1	1	1	1	1	1	1	1	1	1	1			
14	913-502-08501	BEARING,PLAIN WPB-85A SA	1	1	1	1	1	1	1	1	1	1	1	1	1			
15	360-314-80500	PISTON	1	1	1	1	1	1	1	1	1	1	1	1	1			
16	910-028-03400	O-RING 1B P34	1	1	1	1	1	1	1	1	1	1	1	1	1			
17	360-324-90200	ROD	1	1	1	1	1	1	1	1	1	1	1	1	1			
18	360-314-80400	COVER-ROD	1	1	1	1	1	1	1	1	1	1	1	1	1			
19	910-029-08000	O-RING 1R G80	1	1	1	1	1	1	1	1	1	1	1	1	1			
20	916-940-07001	PACKING	1	1	1	1	1	1	1	1	1	1	1	1	1			
21	916-600-07001	SEAL,DUST	1	1	1	1	1	1	1	1	1	1	1	1	1			
30	360-314-80900	PACKING KIT	1	1	1	1	1	1	1	1	1	1	1	1	1			

組立名称 シリンダ、シヤツキ (リヤ)
 Assembly Name CYLINDER, JACK (REAR) PC103-0137-00

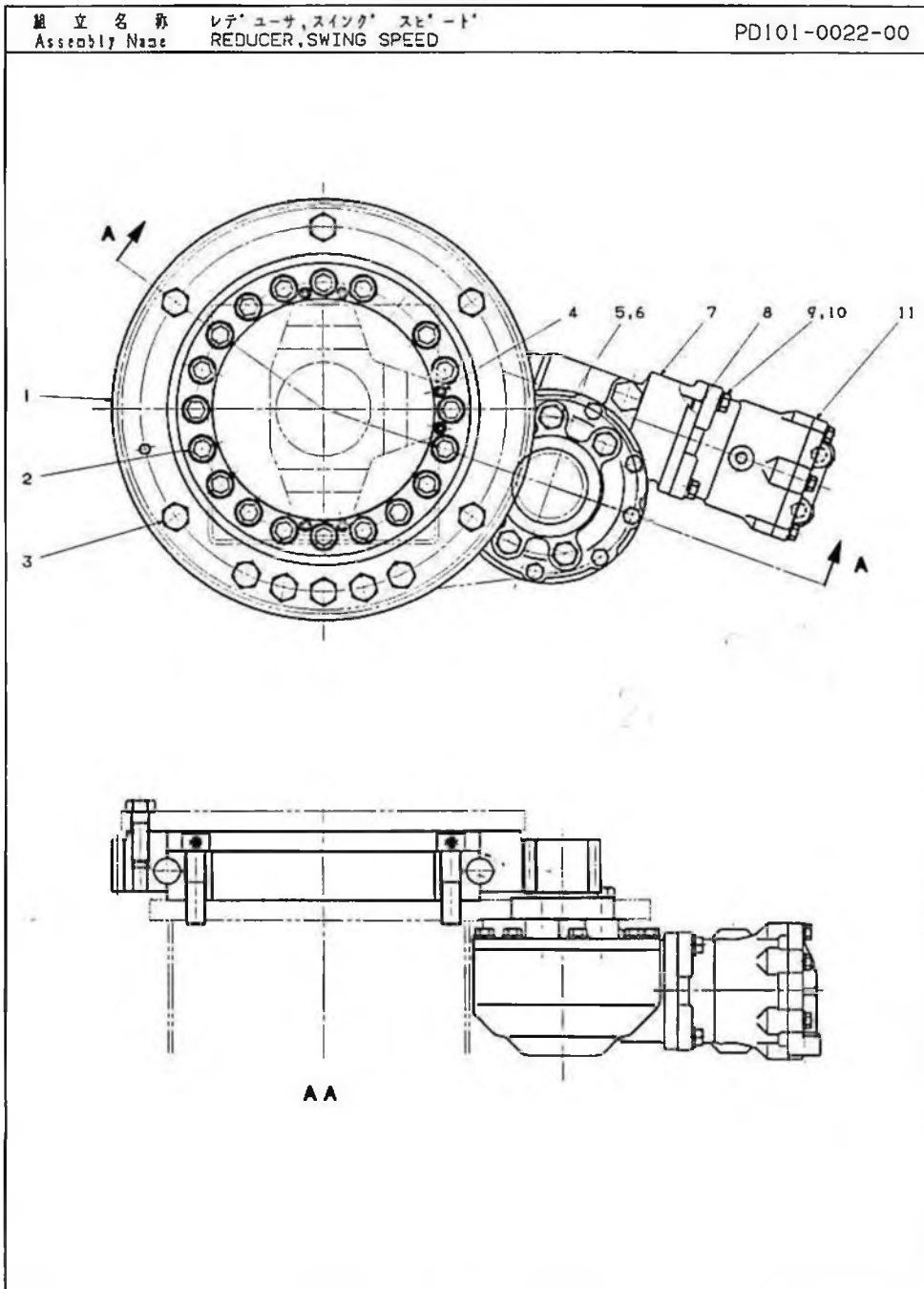


●:PACKING KIT KEY NO.30 (KEY NO.12,13,18,19,20,21)

組立名称 シリンダ、シヤツキ (リヤ)
 Assembly Name CYLINDER, JACK (REAR) FIG. PC103-0137-00

仕様番号 A < 310-120-10010 (STD) > B < 310-120-10020 (SL) > C < 310-120-10030 (R.STD) >
 D < 310-120-10040 (R.SL) > E < 310-120-10050 (STD.D) > F < 310-120-10060 (SL.DF) >
 G < 310-120-10070 (R.STD) > H < 310-120-10080 (R.SL) > I < 310-120-10100 (6T) >
 J < 310-120-10110 (6I.R) > K < 310-120-10120 (STD.R) > L < 310-120-10130 (SL.R) >
 H < 310-120-10140 (STD.R) > N < 310-120-10150 (STD.R) > O < 310-120-10160 (SL.R) >

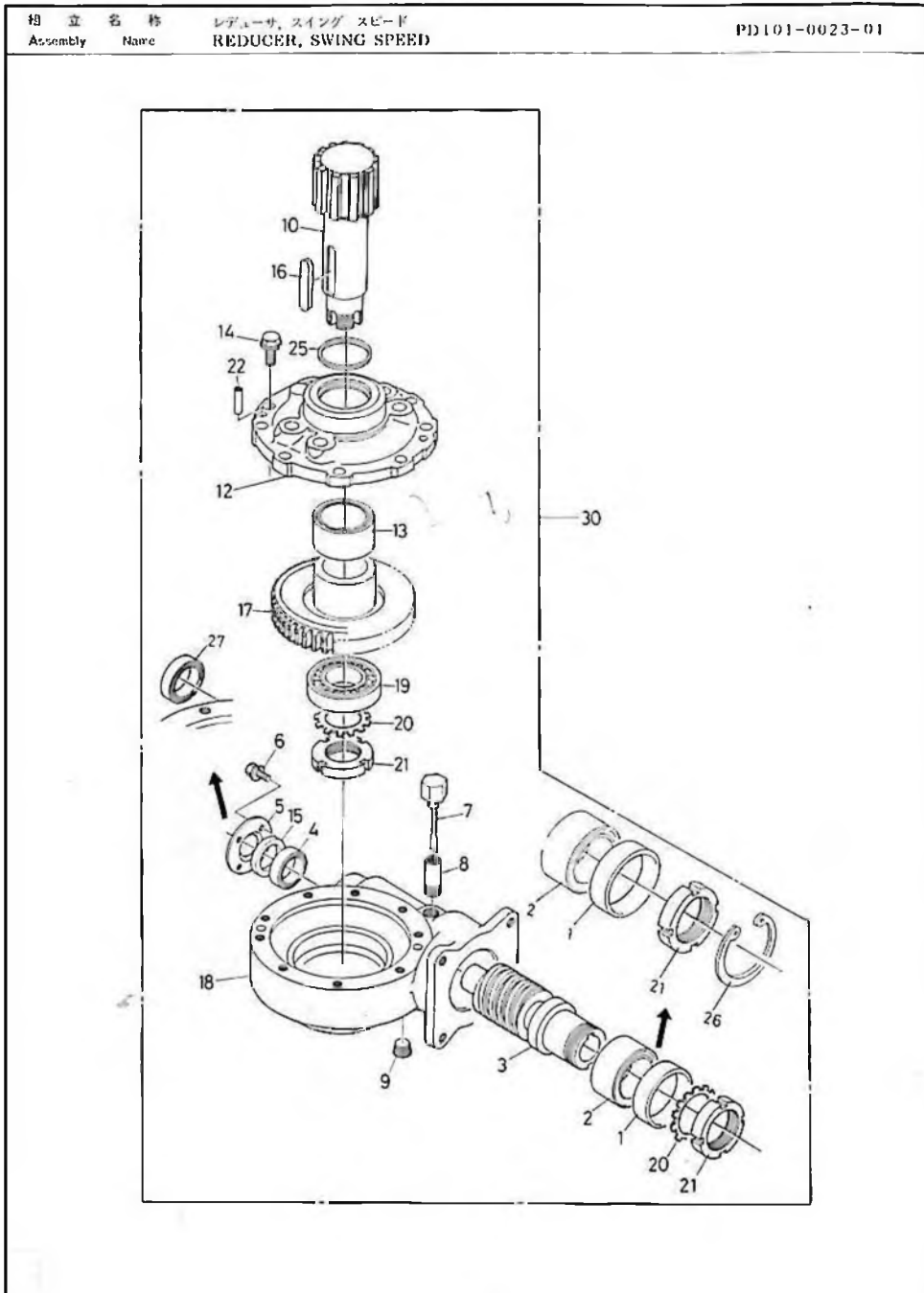
指示番号 Key No.	部品番号 Part No.	部品名称 Part Name	Qty Per Section 個数													実施号機 Serial No. (変更番号 Modifi. No.)	ページ Page	
			A	B	C	D	E	F	G	H	I	J	K	L	M			N
1	901-721-10055	BOLT, HEXAGON SOCKET H10X35	2	2	-	-	-	-	-	2	2	-	-	-	-	-		
2	366-201-40000	VALVE, PILOT CHECK	1	-	-	-	-	-	-	1	1	-	-	-	-	-		444
3	360-331-60000	CYLINDER ASSY	1	-	-	-	-	-	-	1	1	-	-	-	-	-		
11	370-016-01420	NUT M27X2	1	-	-	-	-	-	-	1	1	-	-	-	-	-		
12	910-029-02500	O-RING 1B G25	1	-	-	-	-	-	-	1	1	-	-	-	-	-		
13	913-502-06000	BEARING, PLAIN ASSY (WITH PACKINGX2)	1	-	-	-	-	-	-	1	1	-	-	-	-	-		
14	360-138-23000	PISTON	1	-	-	-	-	-	-	1	1	-	-	-	-	-		
15	360-331-62000	ROD	1	-	-	-	-	-	-	1	1	-	-	-	-	-		
16	360-331-61000	CYLINDER	1	-	-	-	-	-	-	1	1	-	-	-	-	-		
17	360-138-23200	COVER, ROD	1	-	-	-	-	-	-	1	1	-	-	-	-	-		
18	910-029-02500	O-RING 1B G55	1	-	-	-	-	-	-	1	1	-	-	-	-	-		
19	916-940-04500	PACKING	1	-	-	-	-	-	-	1	1	-	-	-	-	-		
20	914-102-04502	RING, BACKUP	1	-	-	-	-	-	-	1	1	-	-	-	-	-		
21	916-600-04501	SEAL, DUST	1	-	-	-	-	-	-	1	1	-	-	-	-	-		
30	360-331-69910	PACKING KIT	1	-	-	-	-	-	-	1	1	-	-	-	-	-		



組立名称 レデューサ、スイングスピード
 Assembly Name REDUCER, SWING SPEED FIG. PU101-0022-00

仕様番号 A < 310-120-10010 (STD) > U < 310-120-10020 (SL) > C < 310-120-10030 (R.STD) >
 D < 310-120-10040 (R.SL) > E < 310-120-10050 (STD.D) > F < 310-120-10060 (SL.DF) >
 G < 310-120-10070 (R.STD) > H < 310-120-10080 (H.SL) > I < 310-120-10100 (6T) >
 J < 310-120-10110 (6T.R) > K < 310-120-10120 (STD.R) > L < 310-120-10130 (SL.R) >
 M < 310-120-10140 (STD.R) > N < 310-120-10150 (STD.R) > O < 310-120-10160 (SL.R) >

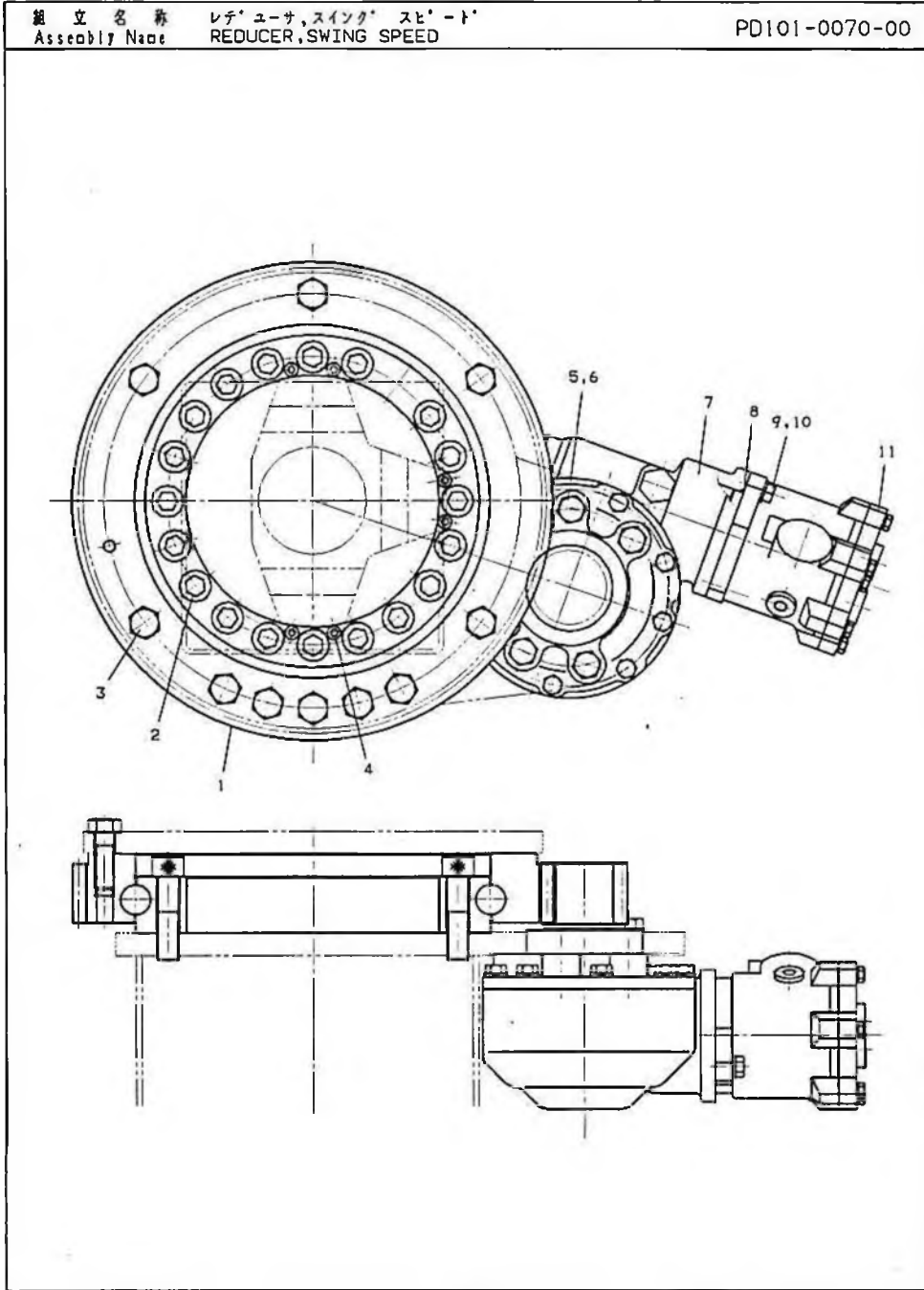
指示番号 Key No.	部品番号 Part No.	部品名称 Part Name	Qty Per Section 個数																実施号機 (変更番号) Serial No. Modifi. No.	ページ Page
			A	B	C	D	E	F	G	H	I	J	K	L	M	N	O			
1	370-023-01720	BEARING, SWING (NTR)	1	1	1	1	1	1	1	1	1	1	1	1	1	1				
1	370-023-01740	BEARING, SWING (NACHI)	1	1	1	1	1	1	1	1	1	1	1	1	1	1				
1	370-023-01840	BEARING, SWING (IZUMI)	1	1	1	1	1	1	1	1	1	1	1	1	1	1				
2	370-015-04330	BOLT, HEXAGON SOCKET M20X80	19	19	19	19	19	19	19	19	19	19	19	19	19					
3	370-015-00560	BOLT M18X55	10	10	10	10	10	10	10	10	10	10	10	10	10					
4	901-315-08016	BOLT, HEXAGON SOCKET M8X16	6	6	6	6	6	6	6	6	6	6	6	6	6					
5	901-015-16040	BOLT M16X40	4	4	4	4	4	4	4	4	4	4	4	4	4	(EA7361 - 2087517))				
5	901-711-16040	BOLT M16X40	4	4	4	4	4	4	4	4	4	4	4	4	4	(EA7362 - (2087517 -)	368			
6	903-020-41601	WASHER, SPRING 16	4	4	4	4	4	4	4	4	4	4	4	4	4					
7	360-805-00000	REDUCER, SWING SPEED	1	1	1	1	1	1	1	1	1	1	1	1	1					
8	910-012-08500	O-RING 1A G85	1	1	1	1	1	1	1	1	1	1	1	1	1					
9	901-715-12035	BOLT M12X35	4	4	4	4	4	4	4	4	4	4	4	4	4	(EA7361 - 2087517))				
9	901-741-12035	BOLT M12X35	4	4	4	4	4	4	4	4	4	4	4	4	4	(EA7362 - (2087517 -)				
10	903-020-41201	WASHER, SPRING 12	4	4	4	4	4	4	4	4	4	4	4	4	4					
11	366-600-20000	MOTDR, HYDRAULIC (SWING)	1	1	1	1	1	1	1	1	1	1	1	1	1		422			



組立名称 レデューサ、スイングスピード
 Assembly Name REDUCER, SWING SPEED FIG. PD101-0023-01

仕様書番号 A < 310-120-10010 (STD) > D < 310-120-10020 (SL) > C < 310-120-10030 (R.STD) >
 Specification No. D < 310-120-10040 (R.SL) > E < 310-120-10050 (STD.D) > F < 310-120-10060 (SL.DF) >
 G < 310-120-10070 (R.STD) > H < 310-120-10080 (R.SL) > I < 310-120-10100 (6T) >
 J < 310-120-10110 (6T.R) > K < 310-120-10120 (STD.R) > L < 310-120-10130 (SL.R) >
 M < 310-120-10140 (STD.R) > N < 310-120-10150 (STD.R) > O < 310-120-10160 (SL.R) >

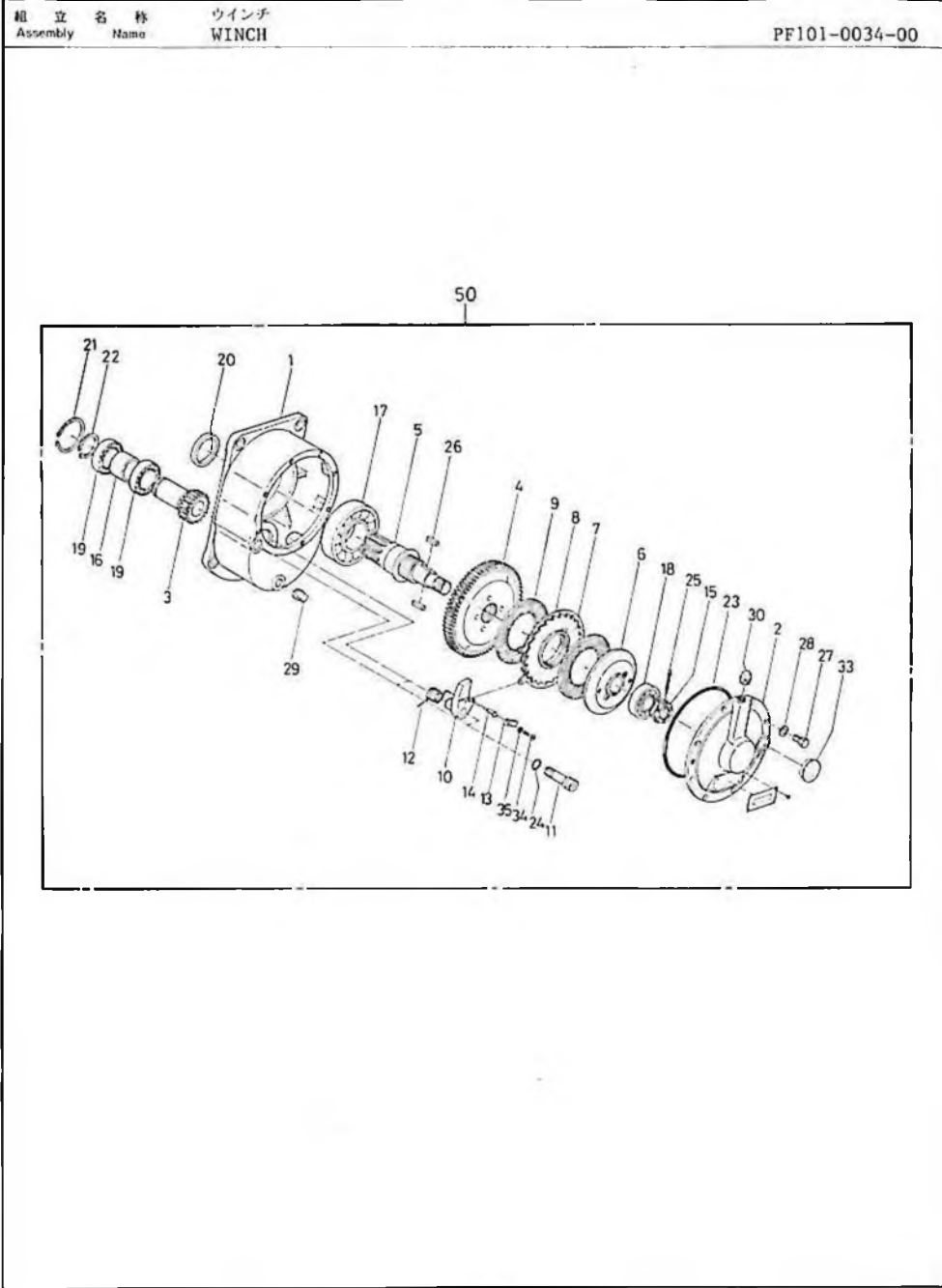
指示番号 Key No.	部品番号 Part No.	部品名称 Part Name	Qty Per Section 個数													実施号 (変更番号)	Serial No. Modifi. No.	ページ Page	
			A	B	C	D	E	F	G	H	I	J	K	L	M				N
1	360-800-15010	SPACER	1	1	1	1	1	1	1	1	1	1	1	1	1	1	(- 489705 - 2074433)	
1	360-307-55010	SPACER	1	1	1	1	1	1	1	1	1	1	1	1	1	1	(489706 - (2074433 -)	
2	805-000-05209	BEARING,BALL 5209	1	1	1	1	1	1	1	1	1	1	1	1	1	1	(- 489705 - 2074433)	
3	360-800-15030	WORM	1	1	1	1	1	1	1	1	1	1	1	1	1	1	(- 489705 - 2074433)	
3	360-805-05210	WORM	1	1	1	1	1	1	1	1	1	1	1	1	1	1	(489706 - (2074433 -)	
4	360-300-15040	BEARING,NEEDLE 25X40X17	1	1	1	1	1	1	1	1	1	1	1	1	1	1	(- 489705 - 2074433)	
5	360-805-05010	RETAINER	1	1	1	1	1	1	1	1	1	1	1	1	1	1	(- 489705 - 2074433)	
6	360-800-65030	BOLT (WITH WASHER) M5X12	4	4	4	4	4	4	4	4	4	4	4	4	4	4	(- 489705 - 2074433)	
7	360-805-05020	GAUGE,OIL	1	1	1	1	1	1	1	1	1	1	1	1	1	1	(- 489705 - 2074433)	
8	360-805-05030	PIPE	1	1	1	1	1	1	1	1	1	1	1	1	1	1	(- 489705 - 2074433)	
9	803-160-30060	PLUG PT3/8	1	1	1	1	1	1	1	1	1	1	1	1	1	1	(- 489705 - 2074433)	
10	360-805-05120	GEAR ASSY,SPUR	1	1	1	1	1	1	1	1	1	1	1	1	1	1	(- 489705 - 2074433)	
12	360-805-05060	CASE,GEAR	1	1	1	1	1	1	1	1	1	1	1	1	1	1	(- 489705 - 2074433)	
13	805-200-45010	BEARING,ROLLER (SL04-5010NR)	1	1	1	1	1	1	1	1	1	1	1	1	1	1	(- 489705 - 2074433)	
13	360-805-05230	BEARING,ROLLER (SL04-5010VS)	1	1	1	1	1	1	1	1	1	1	1	1	1	1	(489706 - (2074433 -)	
14	360-805-05110	BOLT (WITH WASHER) M10X30	9	9	9	9	9	9	9	9	9	9	9	9	9	9	(- 489705 - 2074433)	
15	360-805-05070	PACKING	1	1	1	1	1	1	1	1	1	1	1	1	1	1	(- 489705 - 2074433)	
16	360-805-05080	KEY	1	1	1	1	1	1	1	1	1	1	1	1	1	1	(- 489705 - 2074433)	
17	360-805-05090	WHEEL,WORM	1	1	1	1	1	1	1	1	1	1	1	1	1	1	(- 489705 - 2074433)	
18	360-805-05100	CASE,GEAR	1	1	1	1	1	1	1	1	1	1	1	1	1	1	(- 489705 - 2074433)	
18	360-805-05220	CASE,GEAR	1	1	1	1	1	1	1	1	1	1	1	1	1	1	(489706 - (2074433 -)	
19	805-000-06309	BEARING,BALL 6309	1	1	1	1	1	1	1	1	1	1	1	1	1	1	(- 489705 - 2074433)	
20	805-621-00090	WASHER,LOCK AM09	2	2	2	2	2	2	2	2	2	2	2	2	2	2	(- 489705 - 2074433)	
20	805-621-00090	WASHER,LOCK AM09	1	1	1	1	1	1	1	1	1	1	1	1	1	1	(489706 - (2074433 -)	
21	805-611-00090	NUT AM09	2	2	2	2	2	2	2	2	2	2	2	2	2	2	(- 489705 - 2074433)	
22	360-800-15000	PIN	2	2	2	2	2	2	2	2	2	2	2	2	2	2	(- 489705 - 2074433)	
25	360-800-15091	SEAL,OIL 19255686	1	1	1	1	1	1	1	1	1	1	1	1	1	1	(489706 - (2074433 -)	
26	806-021-10850	RING,RETAINING R85	1	1	1	1	1	1	1	1	1	1	1	1	1	1	(489706 - (2074433 -)	
27	360-807-55030	BEARING,NEEDLE	1	1	1	1	1	1	1	1	1	1	1	1	1	1	(489706 - (2074433 -)	
30	360-805-00000	REDUCER, SWING SPEED	1	1	1	1	1	1	1	1	1	1	1	1	1	1	(- 489705 - 2074433)	



組立名称 レデューサ、スイング スピード FIG. PD101-0070-00
 Assembly Name REDUCER, SWING SPEED

仕様番号 A < 310-120-10010 (STD) > B < 310-120-10020 (SL) > C < 310-120-10030 (R-STD) >
 Specification No. D < 310-120-10040 (R-SL) > E < 310-120-10050 (STD-D) > F < 310-120-10060 (SL-DF) >
 G < 310-120-10070 (R-STD) > H < 310-120-10080 (R-SL) > I < 310-120-10100 (6T) >
 J < 310-120-10110 (6T-R) > K < 310-120-10120 (STD-R) > L < 310-120-10130 (SL-R) >
 M < 310-120-10140 (STD-R) > N < 310-120-10150 (STD-R) > O < 310-120-10160 (SL-R) >

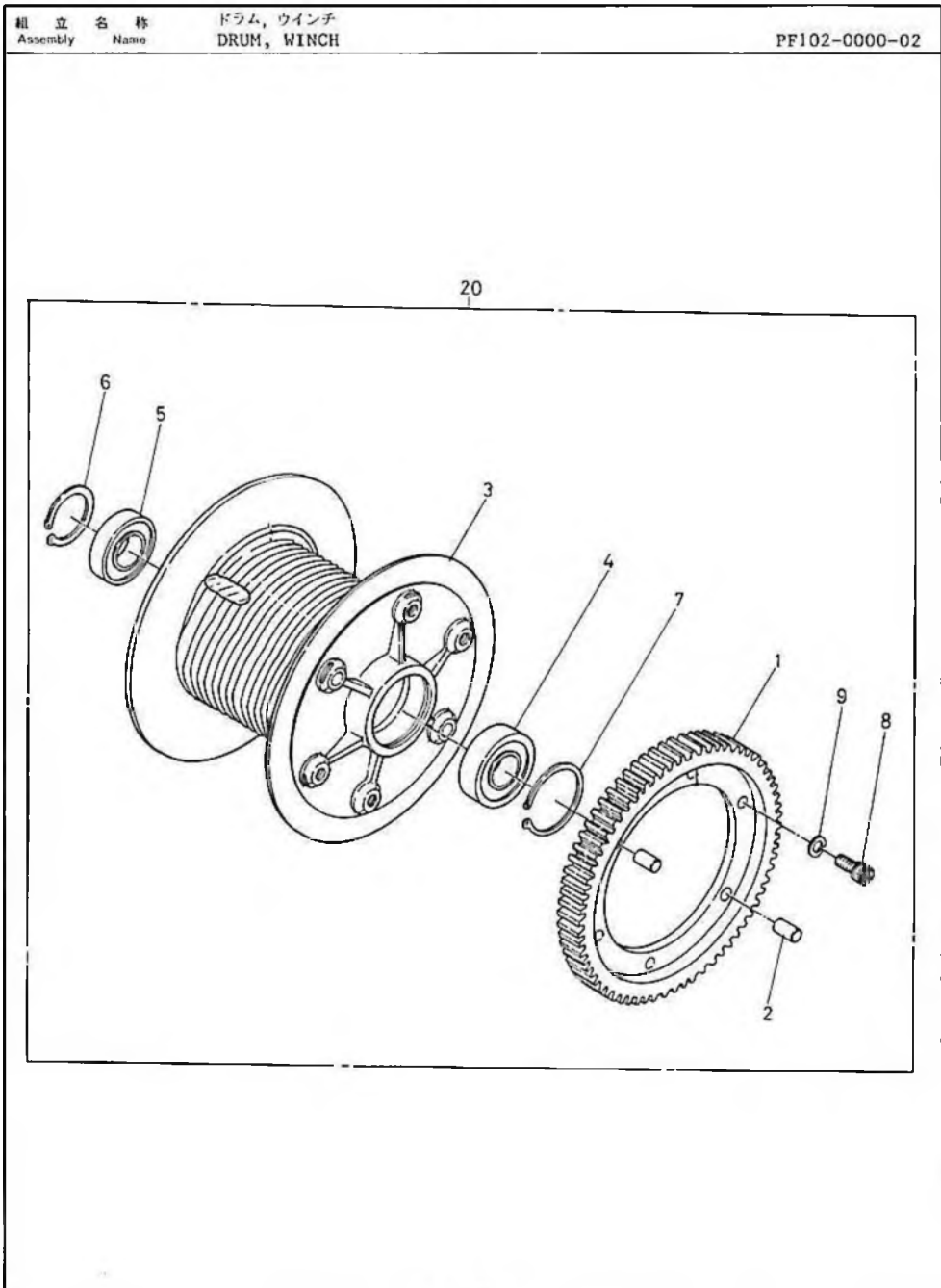
指示番号 Key No.	部品番号 Part No.	部品名称 Part Name	Qty Per Section 個数																実施号 (定製番号)	Serial No. Modifi. No.)	ページ Page
			A	B	C	D	E	F	G	H	I	J	K	L	M	N	O				
1	370-025-01040	BEARING, SWING	1	1	1	1	1	1	1	1	1	1	1	1	1	1					
2	370-015-04330	BOLT, HEXAGON SOCKET M20X80	19	19	19	19	19	19	19	19	19	19	19	19	19						
3	370-015-00560	BOLT M18X55	10	10	10	10	10	10	10	10	10	10	10	10	10						
4	901-315-08016	BOLT, HEXAGON SOCKET M8X16	6	6	6	6	6	6	6	6	6	6	6	6	6						
5	901-015-16040	BOLT M16X40	4	4	4	4	4	4	4	4	4	4	4	4	4						
5	901-711-16040	BOLT M16X40	4	4	4	4	4	4	4	4	4	4	4	4	4						
6	903-020-41601	WASHER, SPRING 16	4	4	4	4	4	4	4	4	4	4	4	4	4						
7	360-805-00000	REDUCER, SWING SPEED	1	1	1	1	1	1	1	1	1	1	1	1	1			368			
8	910-012-08500	O-RING 1A G85	1	1	1	1	1	1	1	1	1	1	1	1	1						
9	901-915-12035	BOLT M12X35	2	2	2	2	2	2	2	2	2	2	2	2	2						
9	901-741-12035	BOLT M12X35	2	2	2	2	2	2	2	2	2	2	2	2	2						
10	903-020-41201	WASHER, SPRING 12	2	2	2	2	2	2	2	2	2	2	2	2	2						
11	366-621-60000	MOTOR, HYDRAULIC (SWING)	1	1	1	1	1	1	1	1	1	1	1	1	1			430			



組立名称 ウインチ WINCH
 Assembly Name FIG. PF101-0034-00

スペック番号 A < 310-120-10010 (STD) > B < 310-120-10020 (SL) > C < 310-120-10030 (R.STD) >
 Specification No. D < 310-120-10040 (R.SL) > E < 310-120-10050 (STD.D) > F < 310-120-10060 (SL.OF) >
 G < 310-120-10070 (R.STD) > H < 310-120-10080 (R.SL) > I < 310-120-10100 (6T) >
 J < 310-120-10110 (6L.R) > K < 310-120-10120 (STD.R) > L < 310-120-10130 (SL.R) >
 M < 310-120-10140 (STD.R) > N < 310-120-10150 (STD.R) > O < 310-120-10160 (SL.R) >

指示番号 Key No.	部品番号 Part No.	部品名称 Part Name	Qty Per Section 個数													実装号 (実装番号)	Serial No. (Modifi. No.)	ページ Page	
			A	B	C	D	E	F	G	H	I	J	K	L	M				N
1	360-711-95010	CASE, GLAR	1	1	1	1	1	1	1	1	1	1	1	1	1	1			
2	360-711-95020	CASE, GEAR	1	1	1	1	1	1	1	1	1	1	1	1	1	1			
3	360-711-95030	GEAR, SPUR	1	1	1	1	1	1	1	1	1	1	1	1	1	1			
4	360-711-95040	GEAR, SPUR	1	1	1	1	1	1	1	1	1	1	1	1	1	1			
5	360-711-95050	GEAR, SPUR	1	1	1	1	1	1	1	1	1	1	1	1	1	1			
6	360-711-95060	DISK, BRAKE	1	1	1	1	1	1	1	1	1	1	1	1	1	1			
7	360-711-95070	WHEEL, RATCHET	1	1	1	1	1	1	1	1	1	1	1	1	1	1			
8	360-711-95080	LINK, RATCHET CONTROL	1	1	1	1	1	1	1	1	1	1	1	1	1	1			
9	360-704-45010	FACING	2	2	2	2	2	2	2	2	2	2	2	2	2	2			
10	360-711-95100	RATCHET	1	1	1	1	1	1	1	1	1	1	1	1	1	1			
11	360-711-95110	SHAFT	1	1	1	1	1	1	1	1	1	1	1	1	1	1			
12	360-711-95120	SPRING	1	1	1	1	1	1	1	1	1	1	1	1	1	1			
13	360-711-95130	CAP	1	1	1	1	1	1	1	1	1	1	1	1	1	1			
14	360-711-95140	PIN	1	1	1	1	1	1	1	1	1	1	1	1	1	1			
15	360-711-95150	NUT	1	1	1	1	1	1	1	1	1	1	1	1	1	1			
16	360-711-95160	SPACER	1	1	1	1	1	1	1	1	1	1	1	1	1	1			
17	805-000-06310	BEARING, BALL 6310	1	1	1	1	1	1	1	1	1	1	1	1	1	1			
18	805-000-06305	BEARING, BALL 6305	1	1	1	1	1	1	1	1	1	1	1	1	1	1			
19	805-000-06007	BEARING, BALL 6007	2	2	2	2	2	2	2	2	2	2	2	2	2	2			
20	912-060-48001	SEAL, OIL TC48629	1	1	1	1	1	1	1	1	1	1	1	1	1	1			
21	806-021-10620	RING, RETAINING R62	1	1	1	1	1	1	1	1	1	1	1	1	1	1			
22	806-011-10350	RING, RETAINING S35	1	1	1	1	1	1	1	1	1	1	1	1	1	1			
23	360-711-95200	O, RING	1	1	1	1	1	1	1	1	1	1	1	1	1	1			
24	360-711-95170	O, RING (P15)	1	1	1	1	1	1	1	1	1	1	1	1	1	1			
25	801-360-40040	PIN, SPLIT 4X40	1	1	1	1	1	1	1	1	1	1	1	1	1	1			
26	360-711-95180	KEY	2	2	2	2	2	2	2	2	2	2	2	2	2	2			
27	901-315-08018	BOLT, HEXAGON SOCKET M8X18	8	8	8	8	8	8	8	8	8	8	8	8	8	8			
28	903-020-40801	WASHER, SPRING 8	8	8	8	8	8	8	8	8	8	8	8	8	8	8			
29	802-050-00300	PLUG P13/8	1	1	1	1	1	1	1	1	1	1	1	1	1	1			
30	116-230-60000	PLUG	1	1	1	1	1	1	1	1	1	1	1	1	1	1			
33	360-711-95190	GAUGE, OIL	1	1	1	1	1	1	1	1	1	1	1	1	1	1			
34	801-723-04012	SCREW, MACHINE M4X12	1	1	1	1	1	1	1	1	1	1	1	1	1	1			
35	903-020-40401	WASHER, SPRING 4	1	1	1	1	1	1	1	1	1	1	1	1	1	1			
50	360-711-90000	WINCH	1	1	1	1	1	1	1	1	1	1	1	1	1	1			

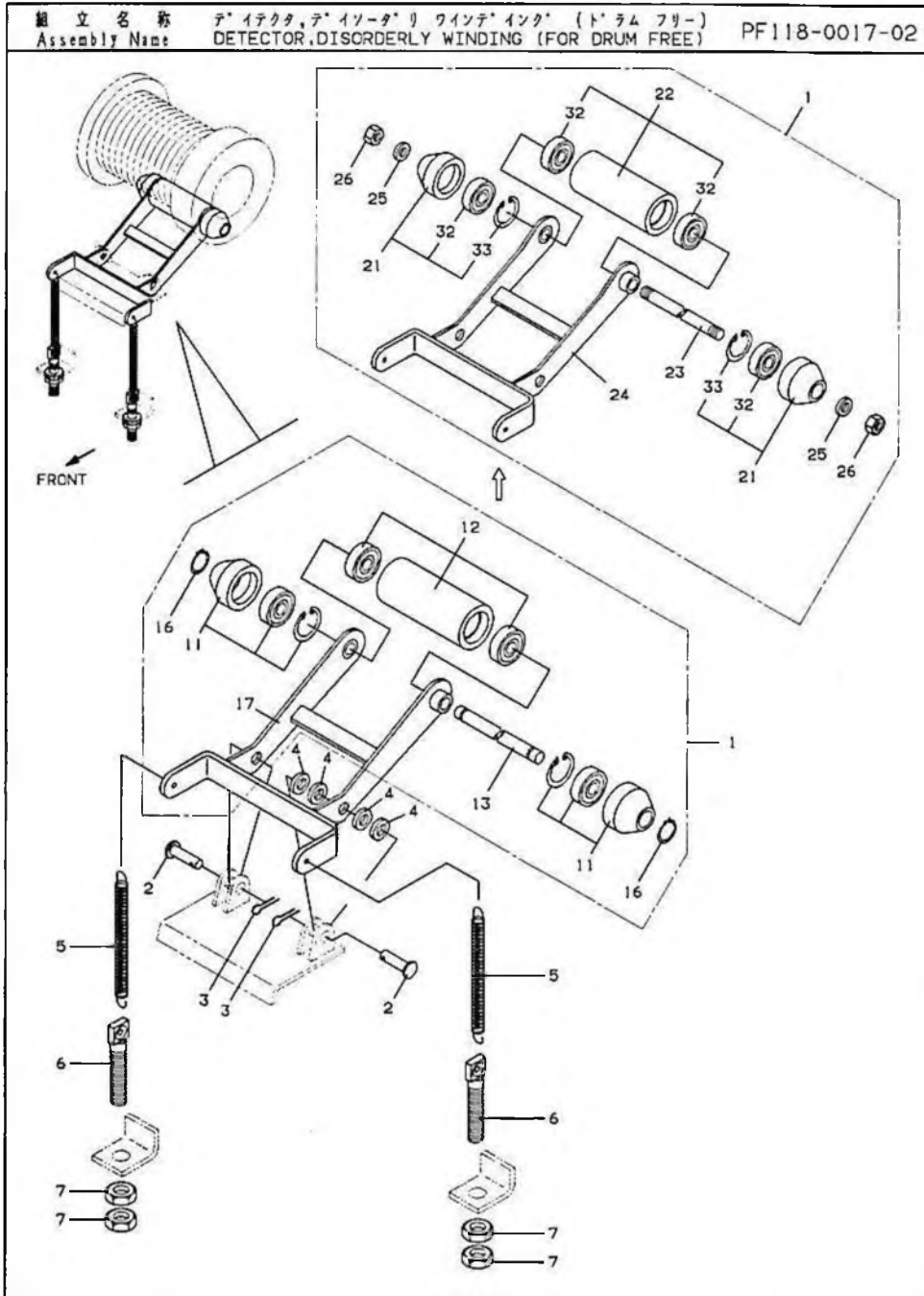


組立名称 ドラム, ウインチ
Assembly Name DRUM, WINCH

FIG. PF102-0000-02

スペック番号 A < 310-120-10010 (STD) > B < 310-120-10020 (SL) > C < 310-120-10030 (R.STD) >
Specification No. D < 310-120-10040 (R.SL) > E < 310-120-10050 (STD.D) > F < 310-120-10060 (SL.DF) >
G < 310-120-10070 (R.STD) > H < 310-120-10080 (R.SL) > I < 310-120-10100 (6T) >
J < 310-120-10110 (6T.R) > K < 310-120-10120 (STD.R) > L < 310-120-10130 (SL.R) >
M < 310-120-10140 (STD.R) > N < 310-120-10150 (STD.R) > O < 310-120-10160 (SL.R) >

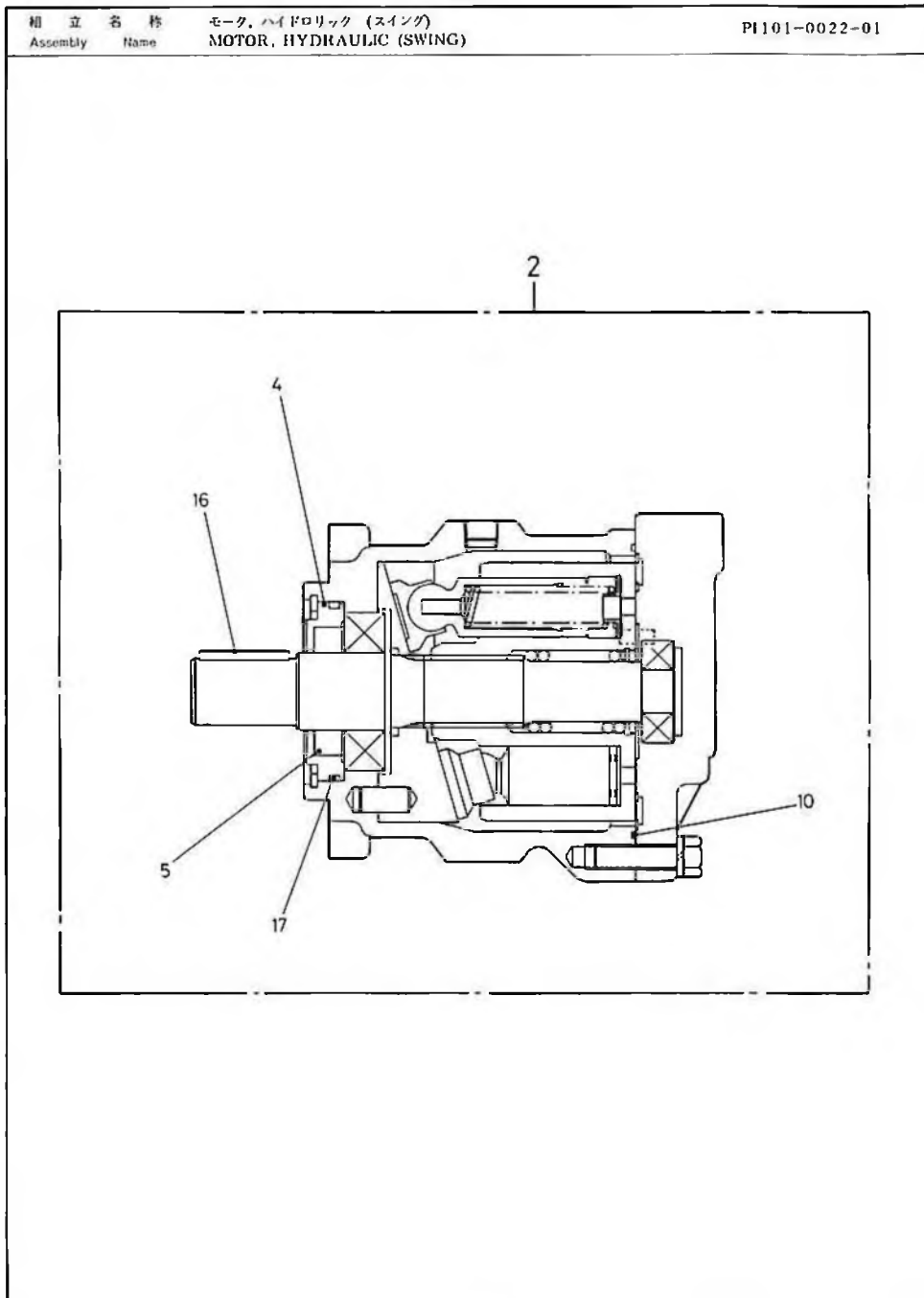
指示番号 Key No.	部品番号 Part No.	部品名称 Part Name	Qty Per Section 個数																実施号 (変更番号)	Serial No. Modifi. No.	ページ Page
			A	B	C	D	E	F	G	H	I	J	K	L	M	N	O				
1	313-102-37510	GEAR, SPUR	1	1	1	1	1	1	1	1	1	1	1	1	1	1					
2	313-100-05010	PIN	2	2	2	2	2	2	2	2	2	2	2	2	2	2					
3	313-102-37520	DRUM	1	1	1	1	1	1	1	1	1	1	1	1	1	1					
4	805-160-06306	BEARING, BALL 6306ZZ	1	1	1	1	1	1	1	1	1	1	1	1	1	1					
5	805-160-06206	BEARING, BALL 6206ZZ	1	1	1	1	1	1	1	1	1	1	1	1	1	1					
6	806-021-10620	RING, RETAINING R62	1	1	1	1	1	1	1	1	1	1	1	1	1	1					
7	806-021-10720	RING, RETAINING R72	1	1	1	1	1	1	1	1	1	1	1	1	1	1					
8	901-315-10025	BOLT, HEXAGON SOCKET M10X25	4	4	4	4	4	4	4	4	4	4	4	4	4	4					
9	903-020-41001	WASHER, SPRING 10	4	4	4	4	4	4	4	4	4	4	4	4	4	4					
20	313-102-30100	DRUM, WINCH	1	1	1	1	1	1	1	1	1	1	1	1	1	1					



組立名称 デテクタ、デイズォーリ ワインディング (ドラムフリー) PF118-0017-02
 Assembly Name DETECTOR, DISORDERLY WINDING (FOR DRUM FREE) FIG. PF118-0017-02

スペック番号 A < 310-120-10010 (STD) > D < 310-120-10020 (SL) > C < 310-120-10030 (R.STD) >
 Specification No. 0 < 310-120-10040 (R.SL) > E < 310-120-10050 (STD.D) > F < 310-120-10060 (SL.DF) >
 G < 310-120-10070 (R.STD) > H < 310-120-10080 (R.SL) > I < 310-120-10100 (ST) >
 J < 310-120-10110 (ST.R) > K < 310-120-10120 (STD.R) > L < 310-120-10130 (SL.R) >
 M < 310-120-10140 (STD.R) > N < 310-120-10150 (STD.R) > O < 310-120-10160 (SL.R) >

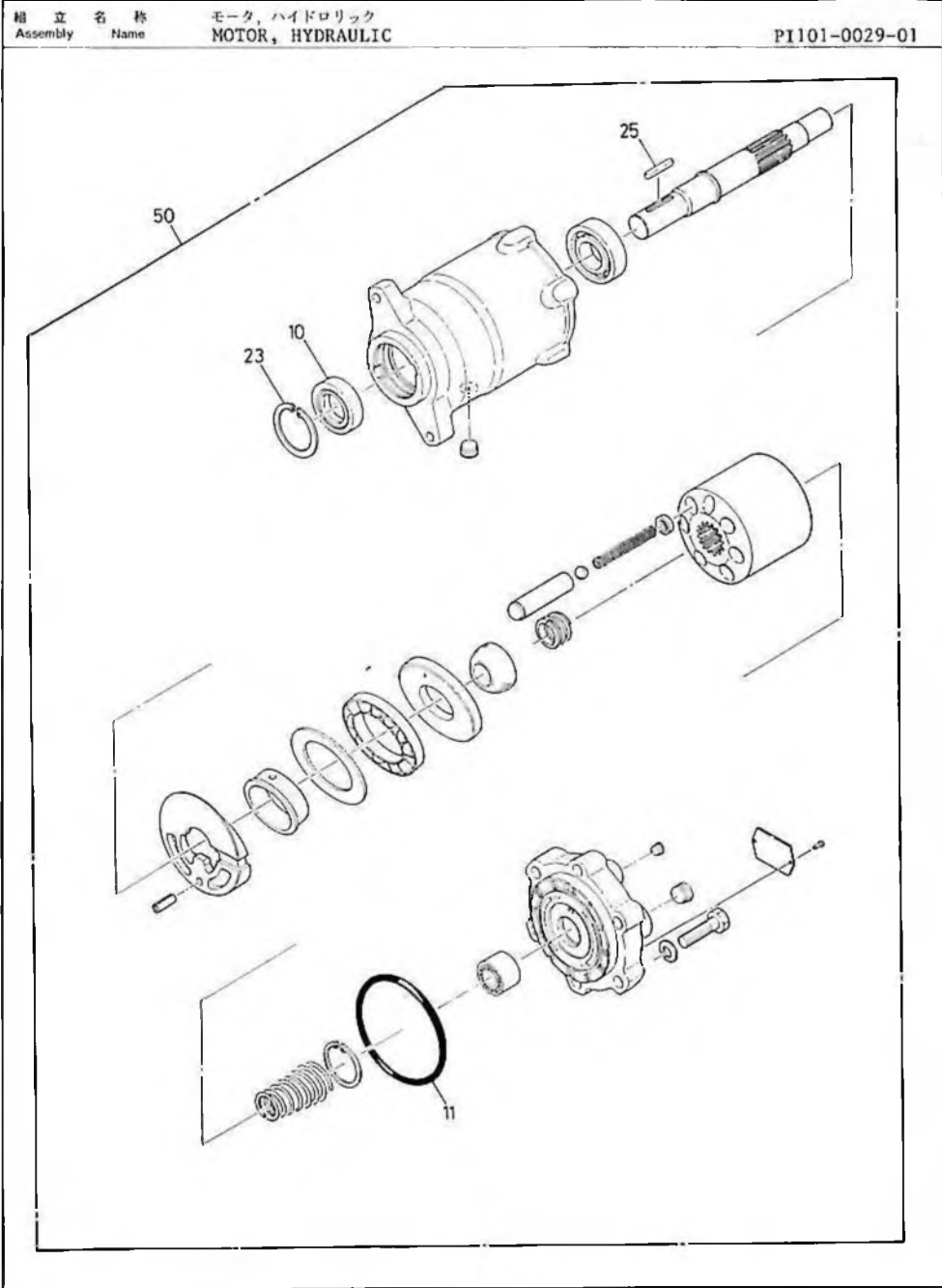
指示番号 Key No.	部品番号 Part No.	部品名称 Part Name	Q'ty Per Section 個数																実施号 (変更番号)	Serial No. Modifi. No.	ページ Page
			A	B	C	D	E	F	G	H	I	J	K	L	M	N	O				
1	314-401-50100	ROLLER ASSY						1	1	1							1	(EA3020 - 2079959)		
1	314-401-50101	ROLLER ASSY						1	1	1							1	(EA3021 - 2079959)		
2	370-001-05740	PIN						2	2	2							2				
3	801-363-32020	PIN,SPLIT 3.2X20						2	2	2							2				
4	903-030-71001	WASHER,PLAIN 10						4	4	4							4				
5	370-013-00000	SPRING						2	2	2							2				
6	141-240-15000	BOLT						2	2	2							2				
7	902-012-01200	NUT M12						4	4	4							4				
11	370-011-99180	ROLLER ASSY						2	2	2							2	(EA3020 - 2079959)		
12	370-011-99190	ROLLER ASSY						1	1	1							1	(EA3020 - 2079959)		
13	370-001-35490	PIN						1	1	1							1	(EA3020 - 2079959)		
16	806-011-10100	RING,RETAINING S10						2	2	2							2	(EA3020 - 2079959)		
17	314-401-50150	SUPPORT ASSY						1	1	1							1	(EA3020 - 2079959)		
21	370-011-07470	ROLLER ASSY (ASSY ONLY)						2	2	2							2	(EA3021 - 2079959)		
22	370-011-07490	ROLLER ASSY						1	1	1							1	(EA3021 - 2079959)		
23	314-401-50250	PIN						1	1	1							1	(EA3021 - 2079959)		
24	314-401-50151	SUPPORT						1	1	1							1	(EA3021 - 2079959)		
25	314-401-50350	WASHER,PLAIN						2	2	2							2	(EA3021 - 2079959)		
26	902-860-01007	NUT (M10 F=1.25)						2	2	2							2	(EA3021 - 2079959)		
32	805-160-06001	BEARING,BALL 6001ZZ						2	2	2							2	(EA3021 - 2079959)		



組立名称 モータ、ハイドロリック (スイング) FIG. PI101-0022-01
 Assembly Name MOTOR, HYDRAULIC (SWING)

仕様番号 A < 310-120-10010 (STD) > B < 310-120-10020 (SL) > C < 310-120-10030 (R-STD) >
 Specification No. D < 310-120-10040 (R-SL) > E < 310-120-10050 (STD-D) > F < 310-120-10060 (SL-DF) >
 G < 310-120-10070 (R-STD) > H < 310-120-10080 (R-SL) > I < 310-120-10100 (6T) >
 J < 310-120-10110 (6T-R) > K < 310-120-10120 (STD-R) > L < 310-120-10130 (SL-R) >
 M < 310-120-10140 (STD-R) > N < 310-120-10150 (STD-R) > O < 310-120-10160 (SL-R) >

指示番号 Key No.	部品番号 Part No.	部品名称 Part Name	Qty Per Section 個数													実施号 (変更番号)	Serial No. Modif. No.	ページ Page	
			A	B	C	D	E	F	G	H	I	J	K	L	M				N
2	366-600-20000	MOTOR, HYDRAULIC (SWING)	1	1	1	1	1	1	1	1	1	1	1	1	1	1			
4	366-600-25021	COVER, OIL SEAL	1	1	1	1	1	1	1	1	1	1	1	1	1	1			
5	366-600-25140	SEAL, OIL (TCV305011)	1	1	1	1	1	1	1	1	1	1	1	1	1	1			
10	366-600-25040	O-RING S112	1	1	1	1	1	1	1	1	1	1	1	1	1	1			
16	141-251-51020	KEY	1	1	1	1	1	1	1	1	1	1	1	1	1	1			
17	124-133-05460	O-RING	1	1	1	1	1	1	1	1	1	1	1	1	1	1			



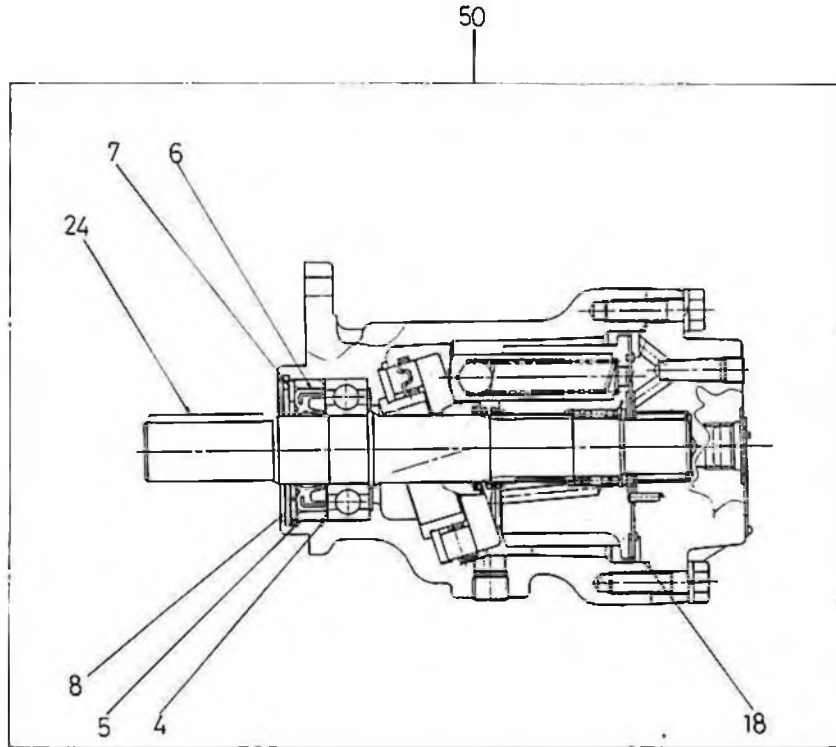
組立名称 E-カムハイドロリック
 Assembly Name MOTOR, HYDRAULIC

FIG. PI101-0029-01

仕様番号 A < 310-120-10010 (STD) > B < 310-120-10020 (SL) > C < 310-120-10030 (R-STD) >
 Specification No. D < 310-120-10040 (R.SL) > E < 310-120-10050 (STD.D) > F < 310-120-10060 (SL.DF) >
 G < 310-120-10070 (R-STD) > H < 310-120-10080 (R.SL) > I < 310-120-10100 (6T) >
 J < 310-120-10110 (6T.R) > K < 310-120-10120 (STD.R) > L < 310-120-10130 (SL.R) >
 M < 310-120-10140 (STD.R) > N < 310-120-10150 (STD.R) > O < 310-120-10160 (SL.R) >

指示番号 Key No.	部品番号 Part No.	部品名称 Part Name	Q'ty Per Section 個数														実装号 (変更番号)	Serial No. Modifi. No.)	ページ Page
			A	B	C	D	E	F	G	H	I	J	K	L	M	N			
10	912-521-02500	SEAL,OIL (ICV254511)	1	1	1	1	1	1	1	1	1	1	1	1	1	1			
11	122-351-03020	O-RING	1	1	1	1	1	1	1	1	1	1	1	1	1	1			
23	806-021-10450	RING,RETAINING R45	1	1	1	1	1	1	1	1	1	1	1	1	1	1			
25	366-611-15120	KEY (6X6X41)	1	1	1	1	1	1	1	1	1	1	1	1	1	1			
50	366-611-10000	MOTOR, HYDRAULIC (WINCH)	1	1	1	1	1	1	1	1	1	1	1	1	1	1			

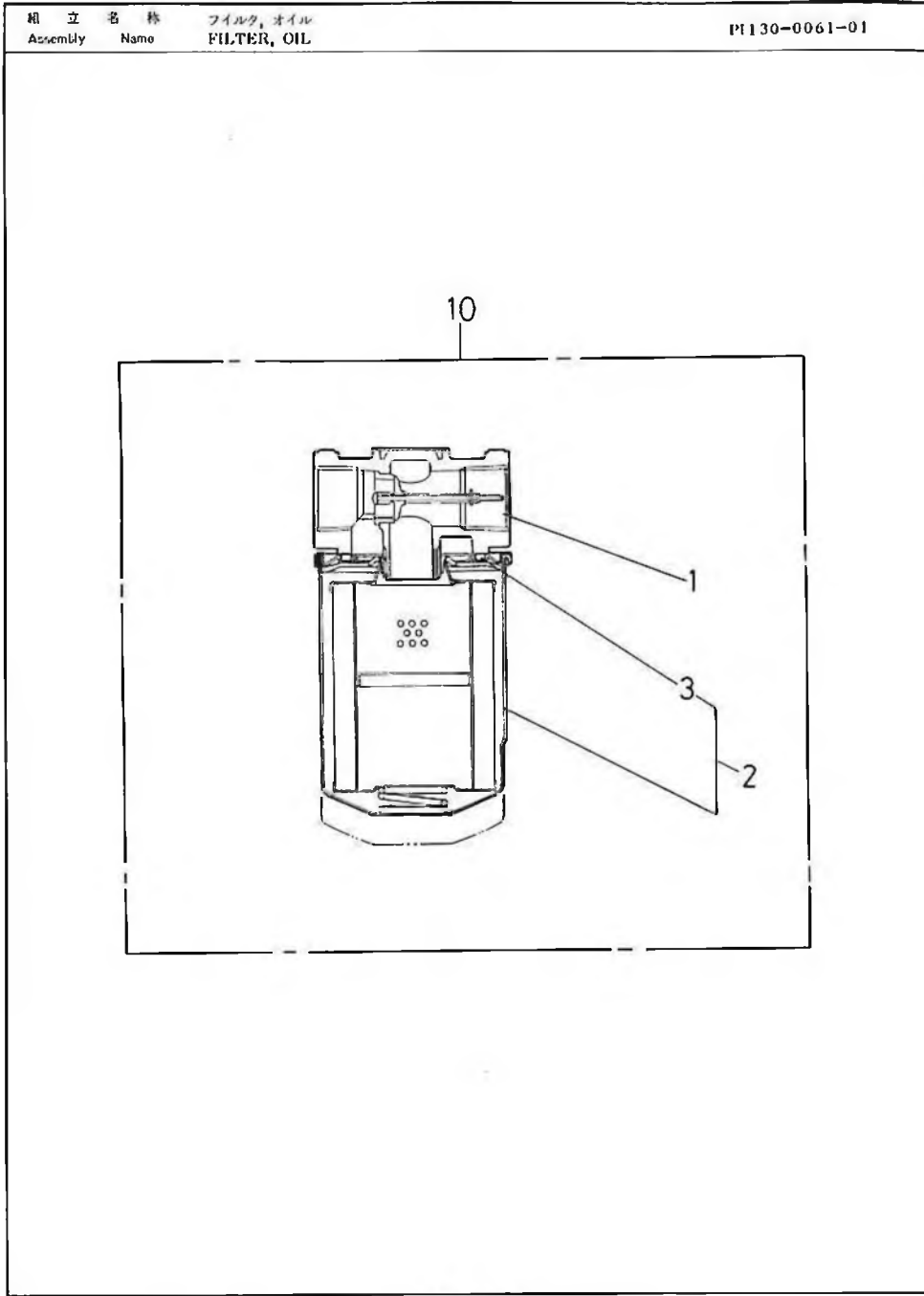
組立名称 モータ、ハイドロリック (ウインチ) PI101-0058-00
 Assembly Name MOTOR, HYDRAULIC (WINCH)



組立名称 モータ、ハイドロリック (ウインチ) FIG. PI101-0058-00
 Assembly Name MOTOR, HYDRAULIC (WINCH)

仕様書 No. A < 310-120-10010 (STD.) > B < 310-120-10020 (SL.) > C < 310-120-10030 (R.STD.) >
 D < 310-120-10040 (R.SL.) > E < 310-120-10050 (STD.D) > F < 310-120-10060 (SL.DF) >
 G < 310-120-10070 (R.STD) > H < 310-120-10080 (R.SL.) > I < 310-120-10100 (6T) >
 J < 310-120-10110 (6T.R) > K < 310-120-10120 (STD.R) > L < 310-120-10130 (SL.R) >
 M < 310-120-10140 (STD.R) > N < 310-120-10150 (STD.R) > O < 310-120-10160 (SL.R.) >

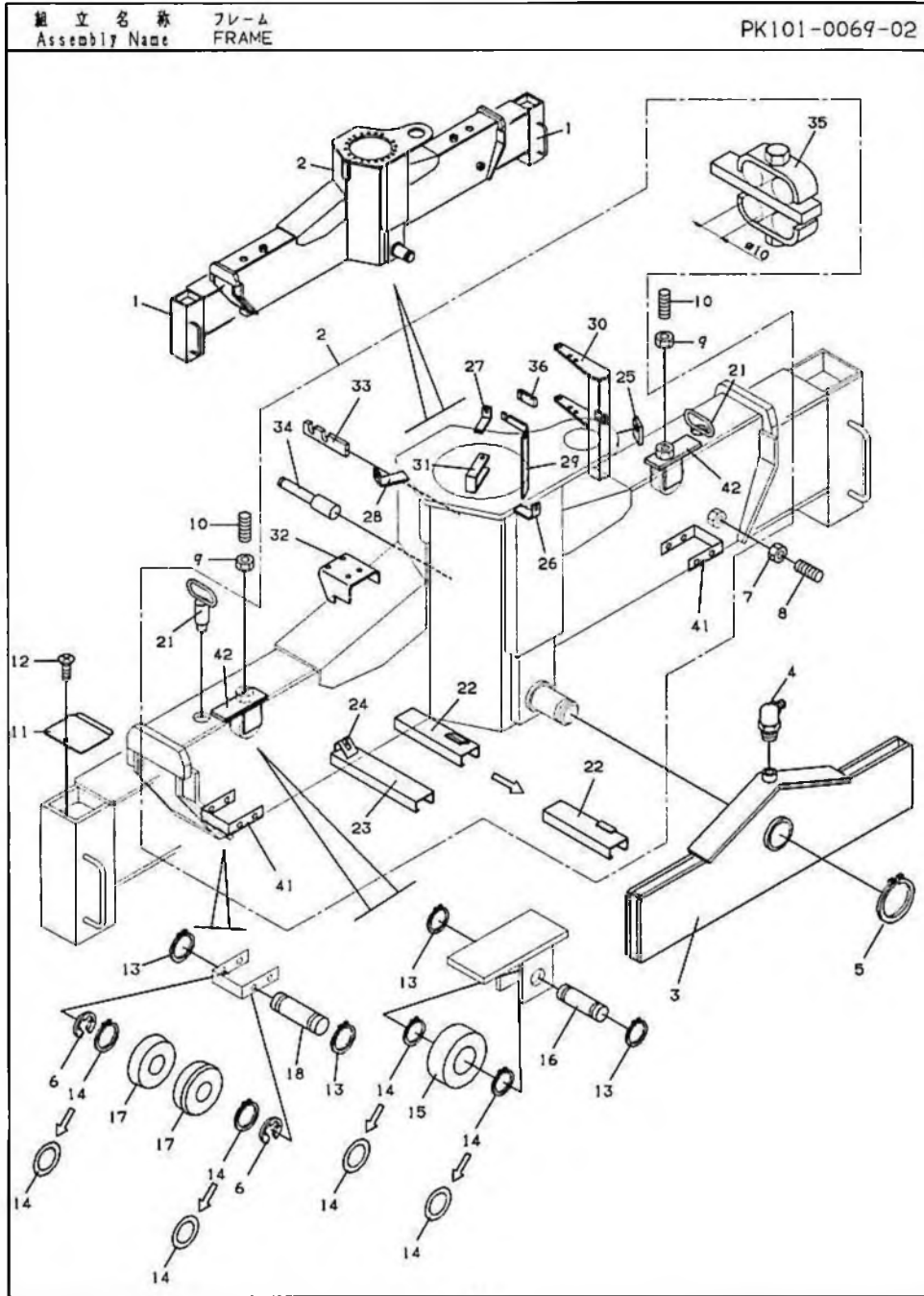
指示番号 Key No.	部品番号 Part No.	部品名称 Part Name	Qty Per Section 個数																実施号機 Serial No. (変更番号 Modifi. No.)	ページ Page
			A	B	C	D	E	F	G	H	I	J	K	L	M	N	O			
4	910-010-04800	O-RING S-48	1	1	1	1	1	1	1	1	1	1	1	1	1	1				
5	366-619-15020	HOLDER,OIL SEAL	1	1	1	1	1	1	1	1	1	1	1	1	1	1				
6	912-521-02500	SEAL,OIL (FCV254511)	1	1	1	1	1	1	1	1	1	1	1	1	1	1				
7	366-619-15030	PLATE,HOLDER	1	1	1	1	1	1	1	1	1	1	1	1	1	1				
8	806-021-10520	RING,RETAINING R52	1	1	1	1	1	1	1	1	1	1	1	1	1	1				
18	910-010-08500	O-RING S-85	1	1	1	1	1	1	1	1	1	1	1	1	1	1				
24	366-611-15120	KEY (6X6X41)	1	1	1	1	1	1	1	1	1	1	1	1	1	1				
50	366-619-10000	MOTOR,HYDRAULIC (WINCH)	1	1	1	1	1	1	1	1	1	1	1	1	1	1				



組立名称 Assembly Name	フィルタ, オイル FILTER, OIL	FIG. PI130-0061-01
-----------------------	--------------------------	--------------------

スペック No. Specification	A < 310-120-10010 (STD.) > B < 310-120-10020 (SL) > C < 310-120-10030 (R.STD.) > D < 310-120-10040 (R.SL.) > E < 310-120-10050 (STD.D) > F < 310-120-10060 (SL.DF) > G < 310-120-10070 (R.STD) > H < 310-120-10080 (R.SL.) > I < 310-120-10100 (6T) > J < 310-120-10110 (6T.R) > K < 310-120-10120 (STD.R) > L < 310-120-10130 (SL.R) > M < 310-120-10140 (STD.R) > N < 310-120-10150 (STD.R) > O < 310-120-10160 (SL.R) >
---------------------------	--

指示番号 Key No.	部品番号 Part No.	部品名称 Part Name	Qty Per Section 個数																実施号機 (変更番号)	Serial No. Modif. No.	ページ Page	
			A	B	C	D	E	F	G	H	I	J	K	L	M	N	O					
1	366-701-05000	HEAD ASSY	1	1	1	1	1	1	1	1	1	1	1	1	1	1	1	1	1			
2	366-701-05010	FILTER, CARTRIDGE	1	1	1	1	1	1	1	1	1	1	1	1	1	1	1	1	1			
3	366-701-05020	GASKET	1	1	1	1	1	1	1	1	1	1	1	1	1	1	1	1	1			
10	366-701-00000	FILTER, OIL	1	1	1	1	1	1	1	1	1	1	1	1	1	1	1	1	1			



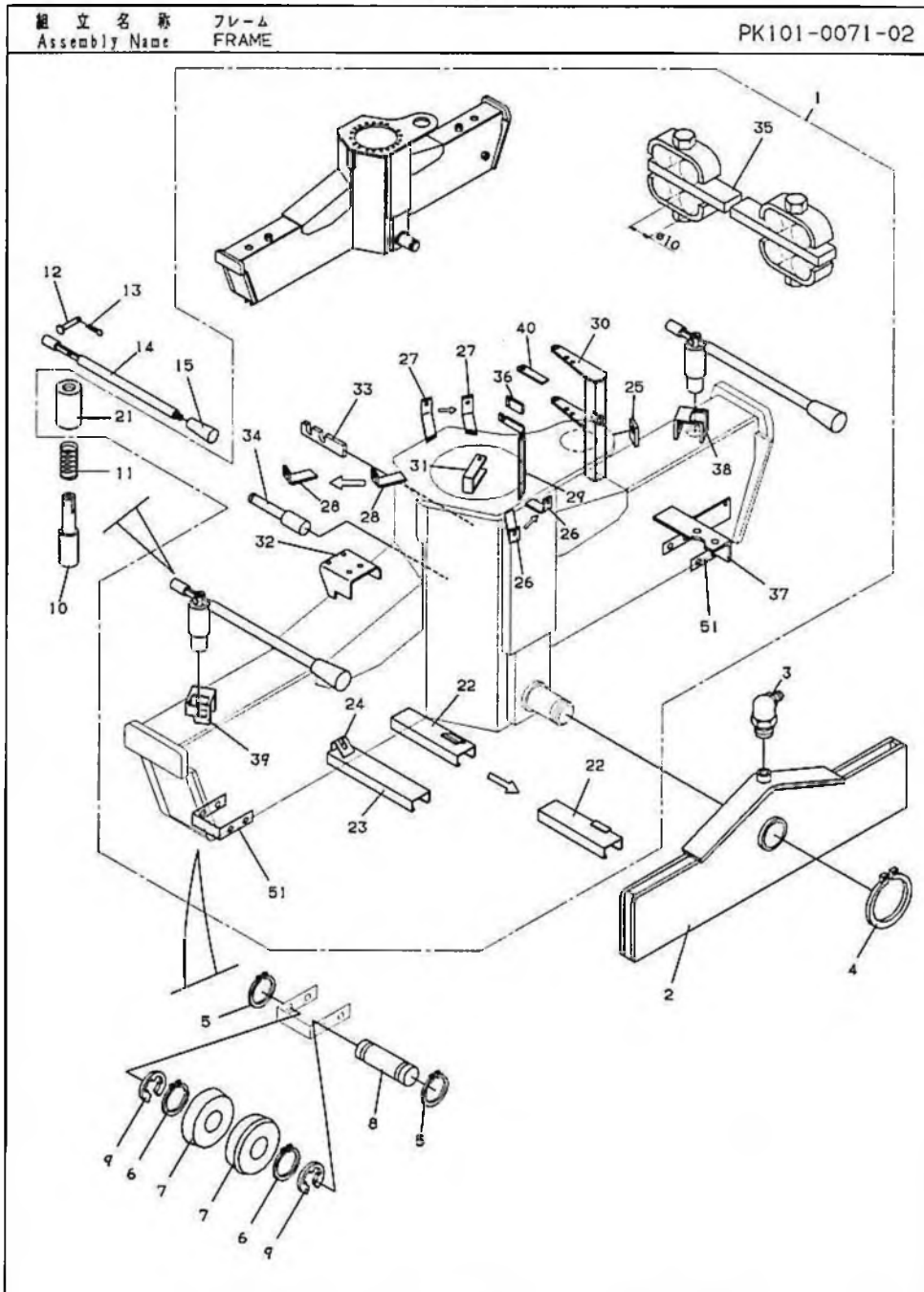
組立名称 フレーム FIG. PK101-0069-02
 Assembly Name FRAME

仕様書 No. A < 310-120-10010 (STD.) > B < 310-120-10020 (SL.) > C < 310-120-10030 (R.STD.) > D < 310-120-10040 (R.SL.) > E < 310-120-10050 (STD.D.) > F < 310-120-10060 (SL.DF.) > G < 310-120-10070 (R.STD.) > H < 310-120-10080 (R.SL.) > I < 310-120-10100 (6T.) > J < 310-120-10110 (6T.R.) > K < 310-120-10120 (STD.R.) > L < 310-120-10130 (SL.R.) > M < 310-120-10140 (STD.R.) > N < 310-120-10150 (STD.R.) > O < 310-120-10160 (SL.R.) >

指示番号 Key No.	部品番号 Part No.	部品名称 Part Name	Qty Per Section 数量													実装号 (実装番号)	Serial No. Modif. (No.)	ページ Page	
			A	B	C	D	E	F	G	H	I	J	K	L	M				N
1	316-205-81000	CASE,INNER																	
2	316-205-80010	FRAME ASSY	1														(- 695372	
2	316-205-80011	FRAME ASSY	1														(695373	- 2040107)
3	316-205-81500	FRAME	1														(- 697518	
3	316-209-01500	FRAME	1														(697519	- 2041892)
4	824-591-03000	WIPPLE, GREASE	1																
5	806-011-10950	RING, RETAINING S95	1																
6	806-131-10150	RING, RETAINING	4																
7	902-012-01600	NUT M16	2																
8	907-200-16400	SCREW, SET M16X40	2																
9	902-012-01200	NUT M12	2																
10	907-100-12350	SCREW, SET M12X35	2																
11	316-200-74000	COVER	2														(- EA0408	
11	316-200-74001	COVER	2														(EA0409	- 2076908)
12	801-650-06016	SCREW, MACHINE M6X16	2														(2076908	-)
13	806-011-10150	RING, RETAINING 15	8																
14	806-011-10170	RING, RETAINING S17	8														(- 685564	
14	370-005-38730	PLATE	8														(685565	- 2035684)
15	805-160-06302	BEARING, BALL	2														(2035684	-)
15	370-011-05140	ROLLER ASSY	2														(- 695372	
16	370-001-34180	PIN	2														(695373	- 2040107)
17	370-011-04530	ROLLER ASSY	4																
18	370-001-34190	PIN	2																
21	316-205-80100	PIN ASSY (ASSY ONLY)	2														(- 683517	
21	316-205-80100	PIN ASSY (ASSY ONLY)	2														(- 2033621)	
21	316-205-80100	PIN ASSY (ASSY ONLY)	2														(683518	- 695372
21	316-205-80100	PIN ASSY (ASSY ONLY)	2														(2033621	- 2040107)
22	316-205-80200	SUPPORT	1														(695373	-)
22	316-205-80201	SUPPORT	1														(2040107	-)
22	316-205-80201	SUPPORT	1														(- 683517	
22	316-205-80201	SUPPORT	1														(683518	- 2033621)
23	316-600-00020	SUPPORT	1														(2033621	- 695372
23	316-600-00020	SUPPORT	1														(695373	- 2040107)
24	316-205-80210	SUPPORT	1														(2040107	-)
24	316-205-80210	SUPPORT	1														(- 683517	
24	316-205-80210	SUPPORT	1														(683518	- 2033621)
24	316-205-80210	SUPPORT	1														(2033621	- 695372
24	316-205-80210	SUPPORT	1														(695373	- 2040107)

組立名称 Assembly Name		フレーム FRAME	FIG. PK101-0069-02																
仕様書 Specification	番号 No.	A < 310-120-10010 (STD.) > B < 310-120-10020 (SL.) > C < 310-120-10030 (R.STD.) > D < 310-120-10040 (R.SL.) > E < 310-120-10050 (STD.D) > F < 310-120-10060 (SL.DF) > G < 310-120-10070 (R.STD) > H < 310-120-10080 (R.SL.) > I < 310-120-10100 (6T) > J < 310-120-10110 (6T.R) > K < 310-120-10120 (STD.R) > L < 310-120-10130 (SL.R) > H < 310-120-10140 (STD.R) > N < 310-120-10150 (STD.R) > O < 310-120-10160 (SL.R.) >																	
指示番号 Key No.	部品番号 Part No.	部品名称 Part Name	Qty Per Section 個数													実機号機 (変更番号) Serial No. Modifi. No.	ページ Page		
			A	B	C	D	E	F	G	H	I	J	K	L	M			N	O
25	316-205-80250	PLATE	1															683517 (2033621 - 2040107)	
25	316-205-80250	PLATE	1															683518 - 695372 (2033621 - 2040107)	
25	316-205-80250	PLATE	1															695373 - (2040107 -)	
26	316-205-80260	SUPPORT	1															683517 (2033621 - 2040107)	
26	316-205-80261	SUPPORT	1															683518 - 695372 (2033621 - 2040107)	
26	316-205-80261	SUPPORT	1															695373 - (2040107 -)	
27	316-205-80270	SUPPORT	1															683517 (2033621 - 2040107)	
27	316-205-80271	SUPPORT	1															683518 - 695372 (2033621 - 2040107)	
27	316-205-80271	SUPPORT	1															695373 - (2040107 -)	
28	316-205-80280	SUPPORT	1															683517 (2033621 - 2040107)	
28	316-205-80281	SUPPORT	1															683518 - 695372 (2033621 - 2040107)	
28	316-205-80281	SUPPORT	1															695373 - (2040107 -)	
29	316-205-80290	SUPPORT	1															683517 (2033621 - 2040107)	
29	316-205-80290	SUPPORT	1															683518 - 695372 (2033621 - 2040107)	
29	316-205-80290	SUPPORT	1															695373 - (2040107 -)	
30	316-205-80300	SUPPORT	1															683517 (2033621 - 2040107)	
30	316-205-80300	SUPPORT	1															683518 - 695372 (2033621 - 2040107)	
30	316-205-80300	SUPPORT	1															695373 - (2040107 -)	
31	316-205-80340	SUPPORT	1															683517 (2033621 - 2040107)	
31	316-205-80340	SUPPORT	1															683518 - 695372 (2033621 - 2040107)	
31	316-205-80340	SUPPORT	1															695373 - (2040107 -)	
32	316-205-80350	SUPPORT	1															683517 (2033621 - 2040107)	
32	316-205-80350	SUPPORT	1															683518 - 695372 (2033621 - 2040107)	
32	316-205-80350	SUPPORT	1															695373 - (2040107 -)	
33	316-205-80360	PLATE	1															683517 (2033621 - 2040107)	
33	316-205-80360	PLATE	1															683518 - 695372 (2033621 - 2040107)	
33	316-205-80360	PLATE	1															695373 - (2040107 -)	
34	316-205-80370	PIN	1															683517 (2033621 - 2040107)	
34	316-205-80370	PIN	1															683518 - 695372 (2033621 - 2040107)	
34	316-205-80370	PIN	1															695373 - (2040107 -)	
35	370-007-09870	CLAMP ASSY	1															683517 (2033621 - 2040107)	
35	370-007-09870	CLAMP ASSY	1															683518 - 695372 (2033621 - 2040107)	
35	370-007-09870	CLAMP ASSY	1															695373 - (2040107 -)	
36	316-205-80380	PLATE	1															683517 (2033621 - 2040107)	
36	316-205-80380	PLATE	1															683518 - 695372 (2033621 - 2040107)	

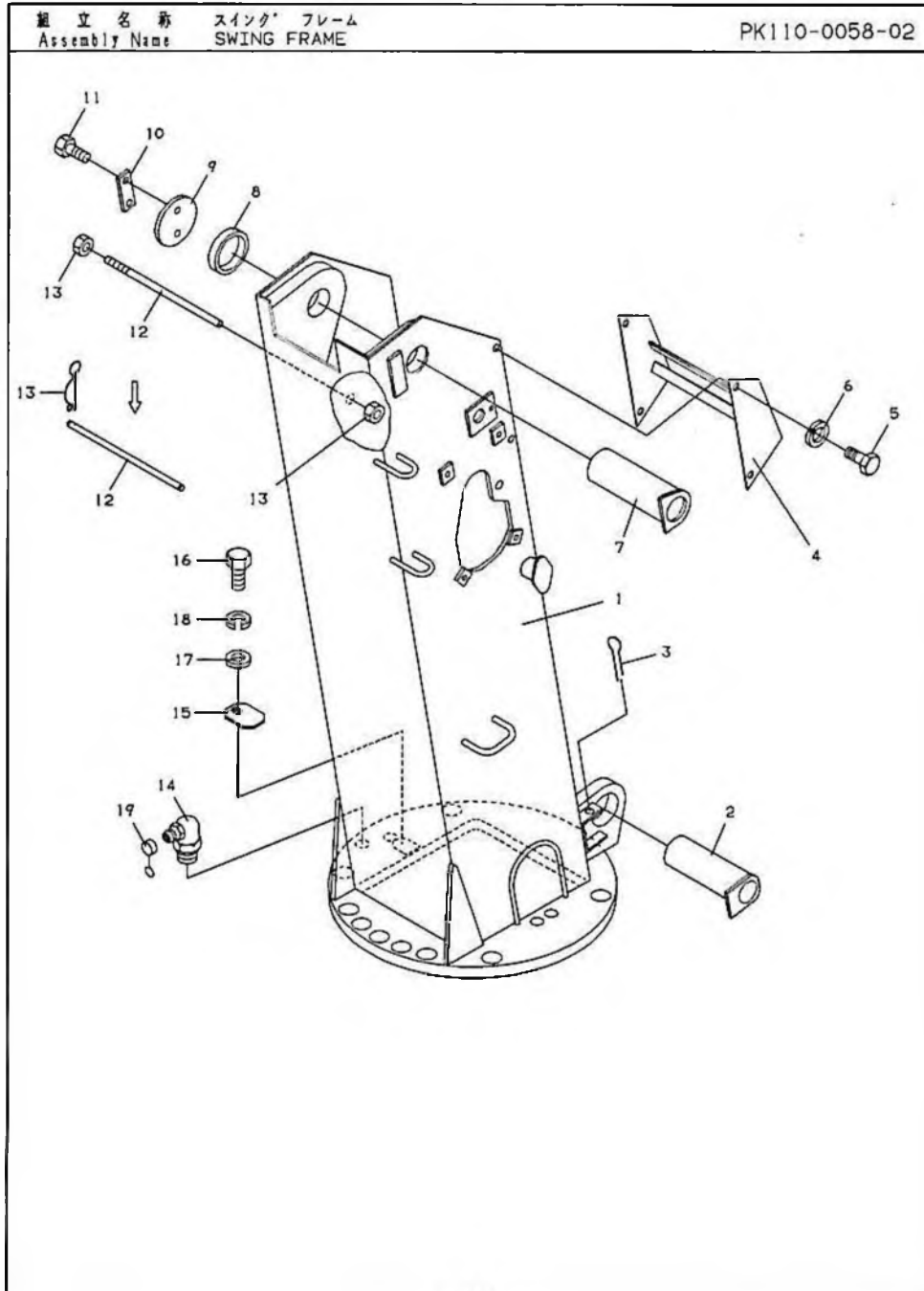
組立名称 Assembly Name		フレーム FRAME	FIG. PK101-0069-02																
仕様書 Specification	番号 No.	A < 310-120-10010 (STD.) > B < 310-120-10020 (SL.) > C < 310-120-10030 (R.STD.) > D < 310-120-10040 (R.SL.) > E < 310-120-10050 (STD.D) > F < 310-120-10060 (SL.DF) > G < 310-120-10070 (R.STD) > H < 310-120-10080 (R.SL.) > I < 310-120-10100 (6T) > J < 310-120-10110 (6T.R) > K < 310-120-10120 (STD.R) > L < 310-120-10130 (SL.R) > H < 310-120-10140 (STD.R) > N < 310-120-10150 (STD.R) > O < 310-120-10160 (SL.R.) >																	
指示番号 Key No.	部品番号 Part No.	部品名称 Part Name	Qty Per Section 個数													実機号機 (変更番号) Serial No. Modifi. No.	ページ Page		
			A	B	C	D	E	F	G	H	I	J	K	L	M			N	O
36	316-205-80380	PLATE	1															695373 - (2040107 -)	
41	316-205-80870	SUPPORT	2															695372 - (2040107 -)	
41	316-205-80870	SUPPORT	2															695373 - (2040107 -)	
42	316-205-89510	BRACKET	2															695373 - (2040107 -)	



組立名称 Assembly Name		フレーム FRAME		FIG. PK101-0071-02																	
仕様書 Specification		番号 No.		A < 310-120-10010 (STD) > B < 310-120-10020 (SL) > C < 310-120-10030 (R-STD) > D < 310-120-10040 (R.SL) > E < 310-120-10050 (STD-D) > F < 310-120-10060 (SL-DF) > G < 310-120-10070 (R-STD) > H < 310-120-10080 (R.SL) > I < 310-120-10100 (6T) > J < 310-120-10110 (6T.R) > K < 310-120-10120 (STD-R) > L < 310-120-10130 (SL.R) > M < 310-120-10140 (STD-R) > N < 310-120-10150 (STD-R) > O < 310-120-10160 (SL.R) >																	
指示番号 Key No.	部品番号 Part No.	部品名称 Part Name	Qty Per Section 個数																実務号機 (実務番号)	Serial No. Modifi. No.	ページ Page
			A	B	C	D	E	F	G	H	I	J	K	L	M	N	O				
1	316-205-90010	FRAME ASSY																			
2	316-205-81500	FRAME																	- 697478		
2	316-209-01500	FRAME																(697479 -	- 2041895)		
3	824-591-03000	NIPPLE,GREESE C-PII/8																			
4	806-011-10950	RING,RETAINING S95																			
5	806-011-10150	RING,RETAINING I5																			
6	806-011-10170	RING,RETAINING S17																	- 685661		
6	370-005-38730	PLATE																(685662 -	- 2035683)		
7	370-011-04530	ROLLER ASSY																(2035683 -			
8	370-001-34190	PIN																			
9	806-131-10150	RING,RETAINING																			
10	316-205-90100	PIN																			
11	370-012-00720	SPRING																			
12	370-001-30970	PIN																			
13	801-360-20010	PIN,SPLIT 2X10																			
14	316-205-90110	LEVER																			
15	191-142-07000	KNOB (BLACK)																			
21	316-205-80110	SUPPORT																	- 684613		
21	316-205-80110	SUPPORT																(684614 -	- 2033622)		
22	316-205-80200	SUPPORT																(2033622 -	- 684613)		
22	316-205-80201	SUPPORT																(684614 -	- 2033622)		
23	316-600-00020	SUPPORT																(2033622 -	- 684613)		
23	316-600-00020	SUPPORT																(684614 -	- 2033622)		
24	316-205-80210	SUPPORT																(2033622 -	- 684613)		
24	316-205-80210	SUPPORT																(684614 -	- 2033622)		
25	316-205-80250	PLATE																(2033622 -	- 684613)		
25	316-205-80250	PLATE																(684614 -	- 2033622)		
26	316-205-80260	SUPPORT																(2033622 -	- 684613)		
26	316-205-80261	SUPPORT																(684614 -	- 2033622)		
27	316-205-80270	SUPPORT																(2033622 -	- 684613)		
27	316-205-80271	SUPPORT																(684614 -	- 2033622)		
28	316-205-80280	SUPPORT																(2033622 -	- 684613)		
28	316-205-80281	SUPPORT																(684614 -	- 2033622)		
29	316-205-80290	SUPPORT																(2033622 -	- 684613)		
29	316-205-80290	SUPPORT																(684614 -	- 2033622)		

組立名称 Assembly Name		フレーム FRAME		FIG. PK101-0071-02														
スペック Specification		番号 No.		A < 310-120-10010 (STD.) > B < 310-120-10020 (SL.) > C < 310-120-10030 (R.STD.) > D < 310-120-10040 (R.SL.) > E < 310-120-10050 (STD.D) > F < 310-120-10060 (SL.DF) > G < 310-120-10070 (R.STD) > H < 310-120-10080 (R.SL.) > I < 310-120-10100 (6T) > J < 310-120-10110 (6T.R) > K < 310-120-10120 (STD.R) > L < 310-120-10130 (SL.R.) > M < 310-120-10140 (STD.R) > N < 310-120-10150 (STD.R) > O < 310-120-10160 (SL.R.) >														
指示番号 Key No.	部品番号 Part No.	部品名称 Part Name	Oty Per Section 個数										実務号 (変更番号)	Serial No. Modif. No.	ページ Page			
			A	B	C	D	E	F	G	H	I	J				K	L	M
30	316-205-80300	SUPPORT	1														684613 (2033622)	
30	316-205-80300	SUPPORT	1														684614 (2033622)	
31	316-205-80340	SUPPORT	1														684613 (2033622)	
31	316-205-80340	SUPPORT	1														684614 (2033622)	
32	316-205-80350	SUPPORT	1														684613 (2033622)	
32	316-205-80350	SUPPORT	1														684614 (2033622)	
33	316-205-80360	PLATE	1														684613 (2033622)	
33	316-205-80360	PLATE	1														684614 (2033622)	
34	316-205-80370	PIN	1														684613 (2033622)	
34	316-205-80370	PIN	1														684614 (2033622)	
35	370-007-10000	CLAMP ASSY	1														684613 (2033622)	
35	370-007-10000	CLAMP ASSY	1														684614 (2033622)	
36	316-205-80380	PLATE	1														684613 (2033622)	
36	316-205-80380	PLATE	1														684614 (2033622)	
37	316-205-90200	SUPPORT	1														684613 (2033622)	
37	316-205-90200	SUPPORT	1														684614 (2033622)	
38	316-205-90300	SUPPORT	1														684613 (2033622)	
38	316-205-90300	SUPPORT	1														684614 (2033622)	
39	316-205-90310	SUPPORT	1														684613 (2033622)	
39	316-205-90310	SUPPORT	1														684614 (2033622)	
40	316-205-90230	PLATE	1														684613 (2033622)	
40	316-205-90230	PLATE	1														684614 (2033622)	
51	316-205-80870	SUPPORT	2															

MEMO



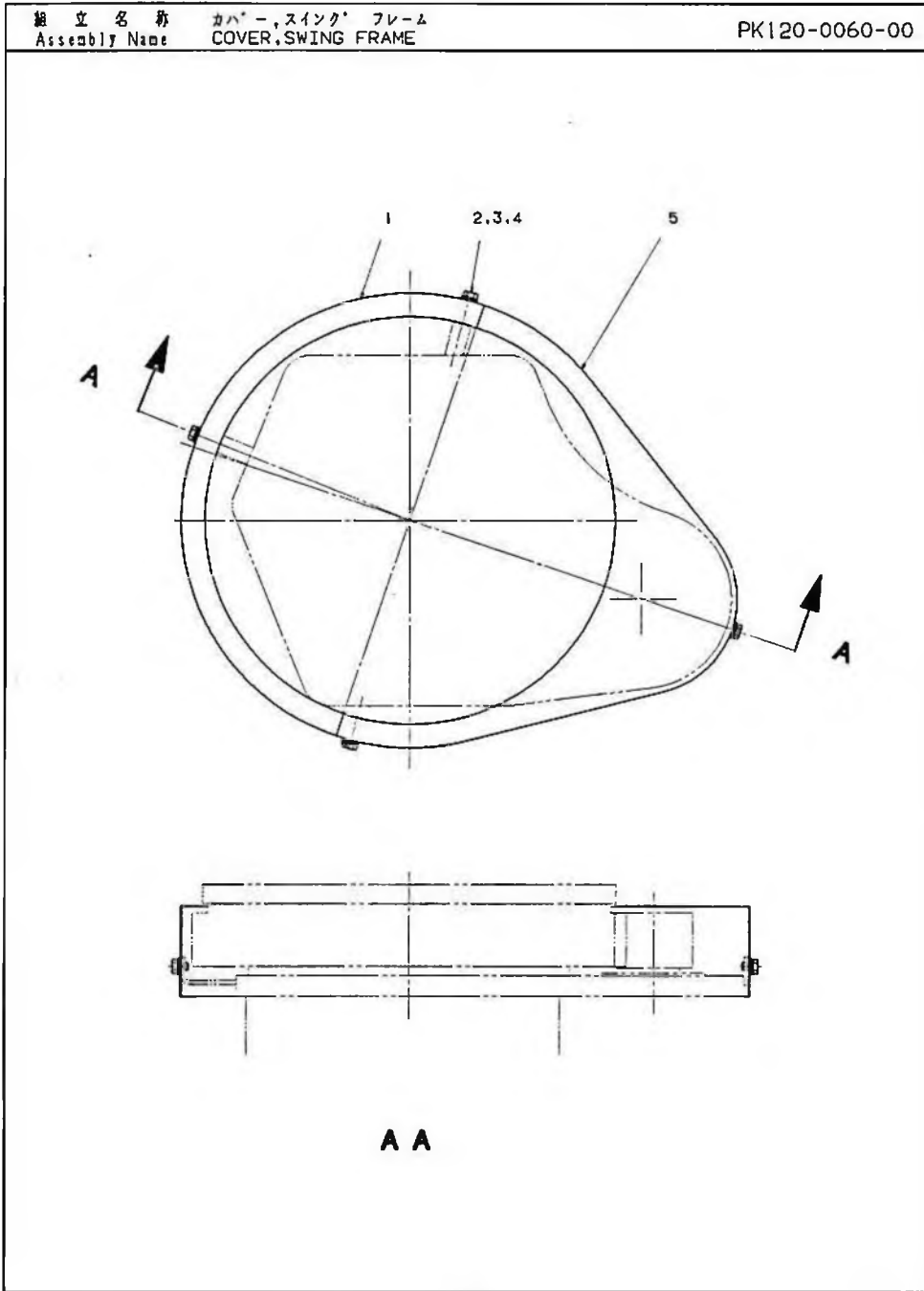
組立名称 スイング フレーム
 Assembly Name SWING FRAME

FIG. PK110-0058-02

仕様書 No. A < 310-120-10010 (STD) > D < 310-120-10020 (SL) > C < 310-120-10030 (R.STD) >
 D < 310-120-10040 (R.SL) > E < 310-120-10050 (STD.D) > F < 310-120-10060 (SL.DF) >
 G < 310-120-10070 (R.STD) > H < 310-120-10080 (R.SL) > I < 310-120-10100 (6T) >
 J < 310-120-10110 (6T.R) > K < 310-120-10120 (STD.R) > L < 310-120-10130 (SL.R) >
 H < 310-120-10140 (STD.R) > N < 310-120-10150 (STD.R) > O < 310-120-10160 (SL.R) >

指示番号 Key No.	部品番号 Part No.	部品名称 Part Name	Qty Per Section 個数														実装号機 (変更番号)	Serial No. Modif. No.	ページ Page
			A	B	C	D	E	F	G	H	I	J	K	L	M	N			
1	312-302-01000	POST	1	1	1	1	1	1	1	1	1	1	1	1	1	1			
2	312-302-02000	PIN	1	1	1	1	1	1	1	1	1	1	1	1	1	1			
3	801-363-80080	PIN-SPLIT 8X80	1	1	1	1	1	1	1	1	1	1	1	1	1	1		- 720367	
3	801-363-63080	PIN-SPLIT 6.3X80	1	1	1	1	1	1	1	1	1	1	1	1	1	1		- 2049112)	
3	801-363-63080	PIN-SPLIT 6.3X80	1	1	1	1	1	1	1	1	1	1	1	1	1	1		720368 -	
4	312-302-02100	COVER	1	1	1	1	1	1	1	1	1	1	1	1	1	1		(2049112 -	
5	901-012-08012	BOLT M8X12	4	4	4	4	4	4	4	4	4	4	4	4	4	4			
6	903-020-40801	WASHER, SPRING 8	4	4	4	4	4	4	4	4	4	4	4	4	4	4			
7	312-302-02200	PIN	1	1	1	1	1	1	1	1	1	1	1	1	1	1			
8	370-005-03280	SPACER	1	1	1	1	1	1	1	1	1	1	1	1	1	1			
9	312-302-02300	PLATE	1	1	1	1	1	1	1	1	1	1	1	1	1	1			
10	370-005-27800	PLATE	1	1	1	1	1	1	1	1	1	1	1	1	1	1			
11	901-012-10020	BOLT M10X20	2	2	2	2	2	2	2	2	2	2	2	2	2	2			
12	312-302-02400	BOLT	1	1	1	1	1	1	1	1	1	1	1	1	1	1		- 721142	
12	370-001-46240	PIN	1	1	1	1	1	1	1	1	1	1	1	1	1	1		- 2050131)	
12	370-001-46240	PIN	1	1	1	1	1	1	1	1	1	1	1	1	1	1		721143 -	
13	902-012-00800	NUT M8	2	2	2	2	2	2	2	2	2	2	2	2	2	2		(2050131 -	
13	806-202-10100	PIN-SNAP	1	1	1	1	1	1	1	1	1	1	1	1	1	1		- 721142	
13	806-202-10100	PIN-SNAP	1	1	1	1	1	1	1	1	1	1	1	1	1	1		- 2050131)	
13	806-202-10100	PIN-SNAP	1	1	1	1	1	1	1	1	1	1	1	1	1	1		721143 -	
14	824-582-02000	NIPPLE, GREASE 8-P11/8	1	1	1	1	1	1	1	1	1	1	1	1	1	1		(2050131 -	
15	312-302-02500	PLATE	1	1	1	1	1	1	1	1	1	1	1	1	1	1			
16	901-012-10016	BOLT M10X16	1	1	1	1	1	1	1	1	1	1	1	1	1	1			
17	903-030-71001	WASHER, PLAIN 10	1	1	1	1	1	1	1	1	1	1	1	1	1	1			
18	903-020-41001	WASHER, SPRING 10	1	1	1	1	1	1	1	1	1	1	1	1	1	1			
19	824-000-00459	CAP	1	1	1	1	1	1	1	1	1	1	1	1	1	1		488189 -	
																		(2076115 -	

3/4



組立名称 カバー、スイング フレーム
 Assembly Name COVER, SWING FRAME FIG. PK120-0060-00

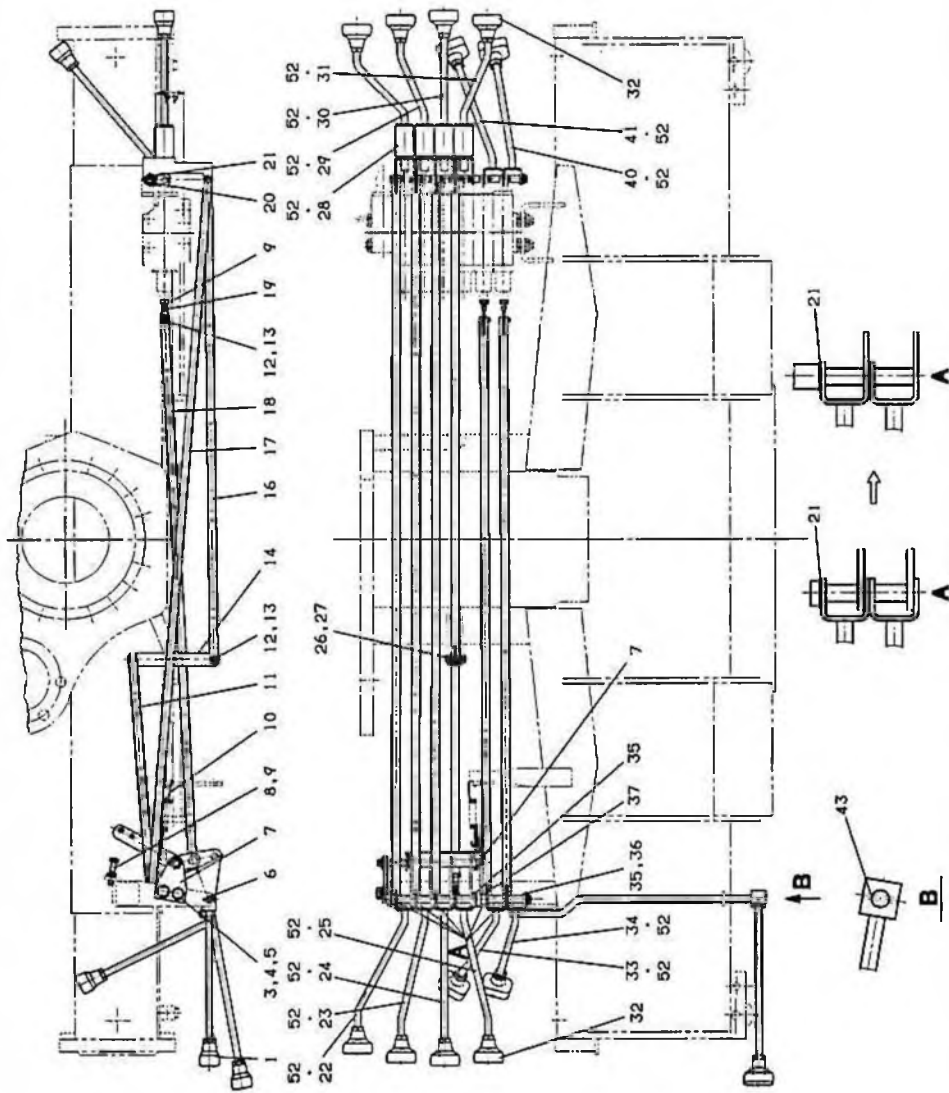
スペック 番 号 A < 310-120-10010 (STD.) > B < 310-120-10020 (SL.) > C < 310-120-10030 (R.STD.) >
 Specification No. D < 310-120-10040 (R.SL.) > E < 310-120-10050 (STD.D) > F < 310-120-10060 (SL.DF) >
 G < 310-120-10070 (R.STD) > H < 310-120-10080 (R.SL.) > I < 310-120-10100 (6T) >
 J < 310-120-10110 (6T.R) > K < 310-120-10120 (STD.R) > L < 310-120-10130 (SL.R) >
 M < 310-120-10140 (STD.R) > N < 310-120-10150 (STD.R) > O < 310-120-10160 (SL.R.) >

指示番号 Key No.	部品番号 Part No.	部品名称 Part Name	Qty Per Section 個数																実施号機 (変更番号 Modifi. No.)	Serial No.	ページ Page
			A	B	C	D	E	F	G	H	I	J	K	L	M	N	O				
1	313-002-50010	COVER	1	1																	
2	901-012-08012	BOLT M8X12	4	4																	
3	903-020-60801	WASHER, SPRING 8	4	4																	
4	903-030-70801	WASHER, PLAIN 8	6	6																	
5	313-002-50060	COVER	1	1																	

35

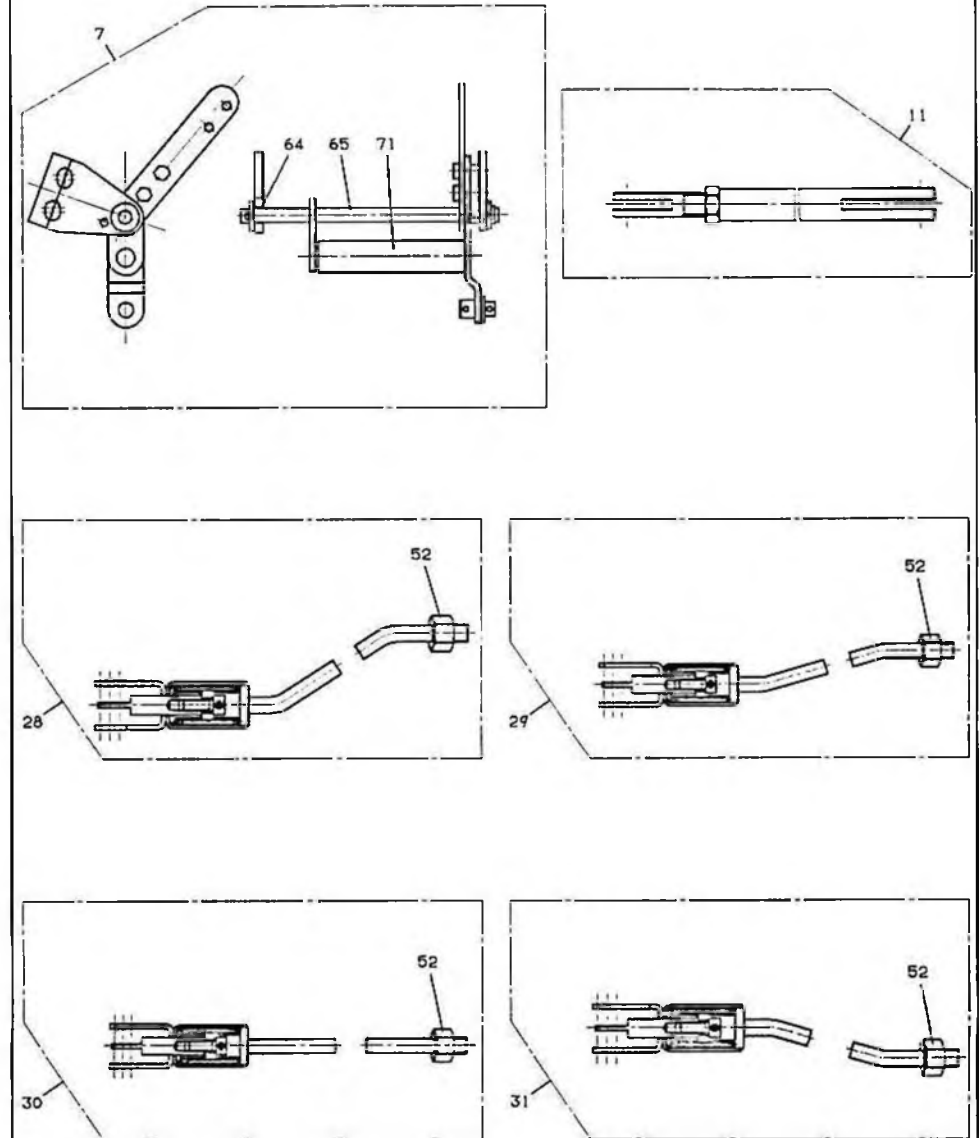
組立名称 オペレーションシステム,コントロールバルブ
Assembly Name OPERATION SYSTEM, CONTROL VALVE

PL101-0116-03



組立名称 オペレーションシステム,コントロールバルブ
Assembly Name OPERATION SYSTEM, CONTROL VALVE

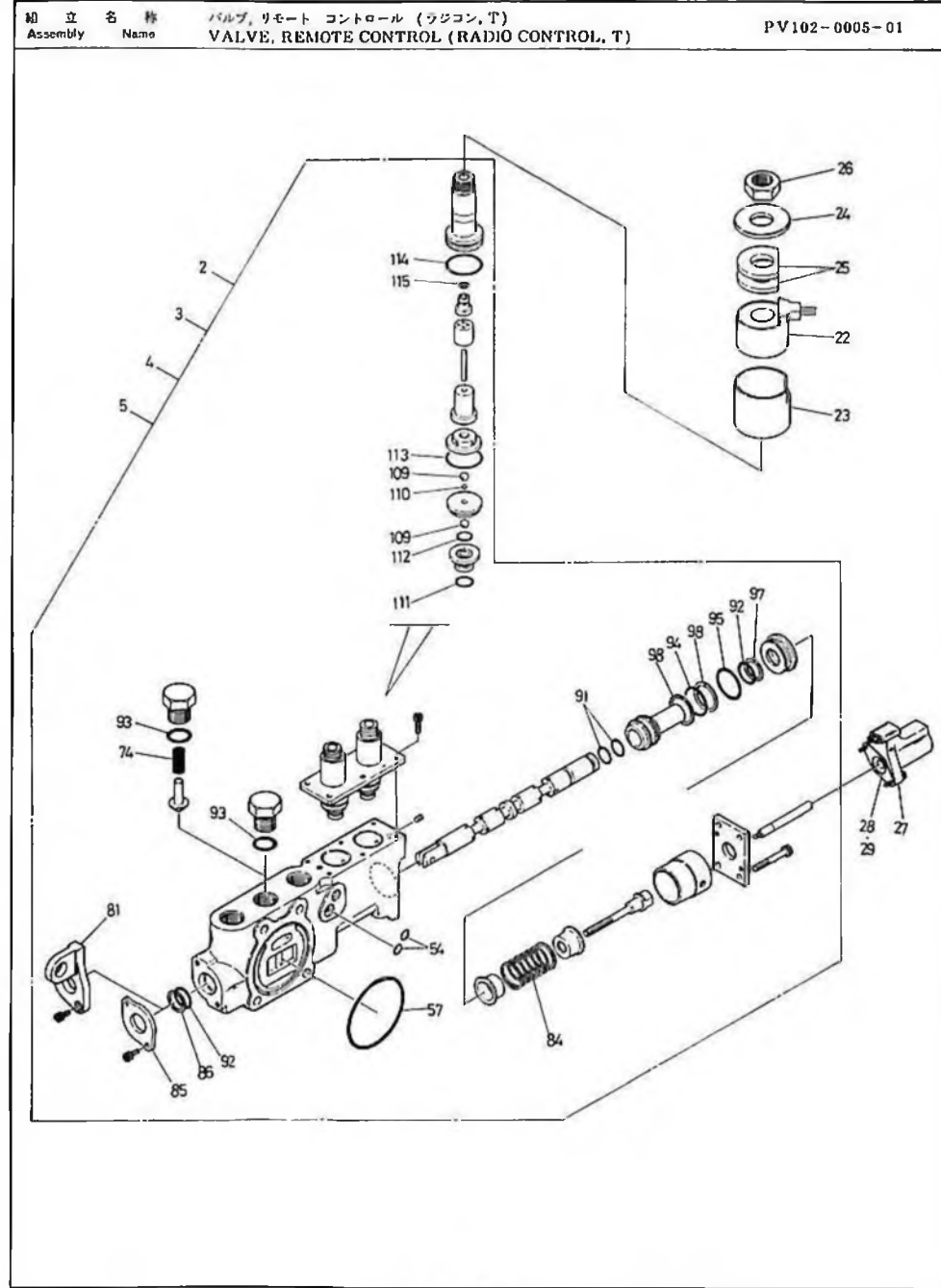
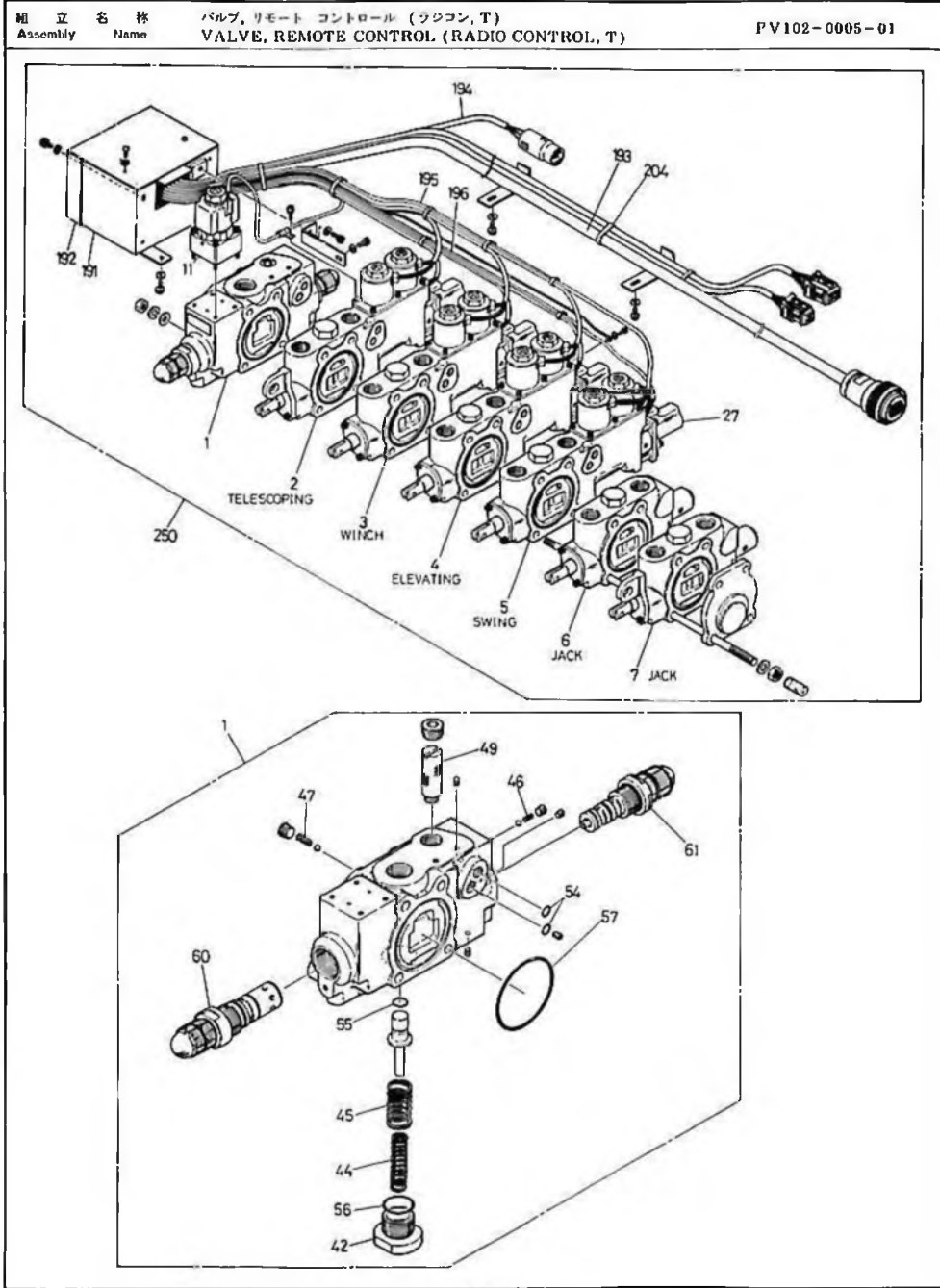
PL101-0116-03



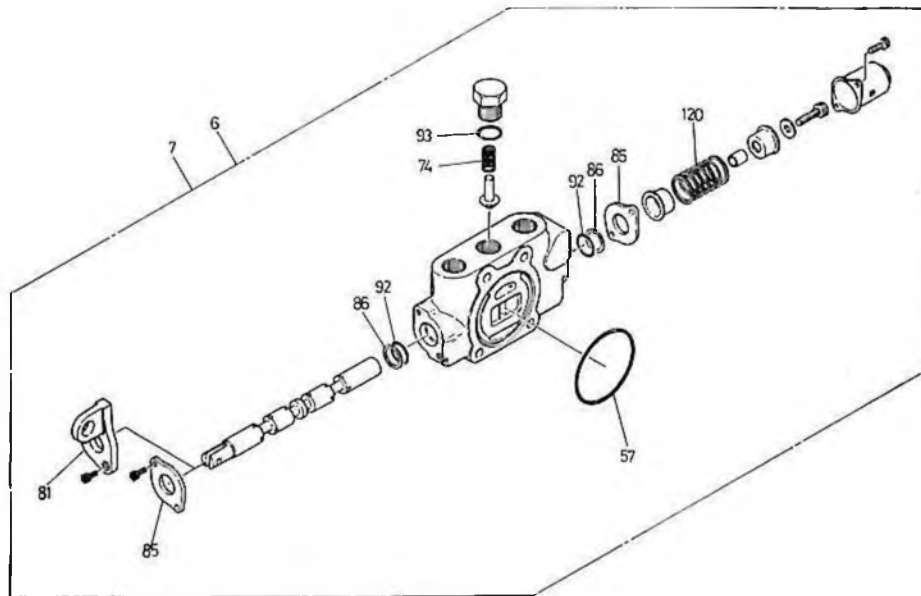
36

組立名称 Assembly Name		オペレーション システム、コントロールバルブ OPERATION SYSTEM, CONTROL VALVE		FIG. PL101-0116-03															
仕様書 Specification	番号 No.	A < 310-120-10010 (STD) > B < 310-120-10020 (SL) > C < 310-120-10030 (R.STD) > D < 310-120-10040 (R.SL) > E < 310-120-10050 (STD.D) > F < 310-120-10060 (SL.DF) > G < 310-120-10070 (R.STD) > H < 310-120-10080 (R.SL) > I < 310-120-10100 (6T) > J < 310-120-10110 (6T.R) > K < 310-120-10120 (STD.R) > L < 310-120-10130 (SL.R) > M < 310-120-10140 (STD.R) > N < 310-120-10150 (STD.R) > O < 310-120-10160 (SL.R) >																	
指示番号 Key No.	部品番号 Part No.	部品名称 Part Name	Qty Per Section 個数										実装号機 Serial No. (変更番号 Modif. No.)	ページ Page					
			A	B	C	D	E	F	G	H	I	J	K	L	M	N	O		
1	313-208-30010	KNOB (BLACK)	-1	-	-	-	-	-	-	-	-	-	-	-	-	-	-		
2	370-016-01520	NUT	-1	-	-	-	-	-	-	-	-	-	-	-	-	-	-		
3	901-012-10016	BOLT M10X16	-4	-	-	-	-	-	-	-	-	-	-	-	-	-	-		
4	903-020-41001	WASHER,SPRING 10	-4	-	-	-	-	-	-	-	-	-	-	-	-	-	-		
5	903-030-71001	WASHER,PLAIN 10	-4	-	-	-	-	-	-	-	-	-	-	-	-	-	-		
6	370-001-06860	PIN ASSY(WITH PIN, SPRINGX1 4X20)	-1	-	-	-	-	-	-	-	-	-	-	-	-	-	-		
7	313-208-38160	LINK ASSY	-1	-	-	-	-	-	-	-	-	-	-	-	-	-	-		
8	901-012-08040	BOLT M8X40	-1	-	-	-	-	-	-	-	-	-	-	-	-	-	-		
8	901-022-08035	BOLT M8X35	-1	-	-	-	-	-	-	-	-	-	-	-	-	-	-		
8	901-022-09035	BOLT M8X35	-1	-	-	-	-	-	-	-	-	-	-	-	-	-	-		
9	902-012-00800	NUT M8	-1	-	-	-	-	-	-	-	-	-	-	-	-	-	-		
10	370-013-00150	SPRING	-1	-	-	-	-	-	-	-	-	-	-	-	-	-	-		
11	313-208-30080	ROD ASSY (ASSY ONLY)	-1	-	-	-	-	-	-	-	-	-	-	-	-	-	-		
12	370-001-05610	PIN	-20	-	-	-	-	-	-	-	-	-	-	-	-	-	-		
13	801-363-20010	PIN,SPLIT 2X10	-20	-	-	-	-	-	-	-	-	-	-	-	-	-	-		
14	313-208-38010	LINK (WITH BEARING,PLAIN)	-1	-	-	-	-	-	-	-	-	-	-	-	-	-	-		
16	313-208-30150	ROD	-1	-	-	-	-	-	-	-	-	-	-	-	-	-	-		
17	313-208-30120	ROD	-3	-	-	-	-	-	-	-	-	-	-	-	-	-	-		
18	313-208-30300	ROD	-2	-	-	-	-	-	-	-	-	-	-	-	-	-	-		
19	313-200-20071	ADJUSTER	-2	-	-	-	-	-	-	-	-	-	-	-	-	-	-		
20	370-001-19130	PIN ASSY(WITH PIN, SPRINGX1 4X20)	-1	-	-	-	-	-	-	-	-	-	-	-	-	-	-		
21	370-005-37270	PLATE	-7	-	-	-	-	-	-	-	-	-	-	-	-	-	-		
22	313-208-48010	LEVER ASSY (WITH NUT)	-1	-	-	-	-	-	-	-	-	-	-	-	-	-	-		
23	313-208-48020	LEVER ASSY (WITH NUT)	-1	-	-	-	-	-	-	-	-	-	-	-	-	-	-		
24	313-208-48030	LEVER ASSY (WITH NUT)	-1	-	-	-	-	-	-	-	-	-	-	-	-	-	-		
25	313-208-48040	LEVER ASSY (WITH NUT)	-1	-	-	-	-	-	-	-	-	-	-	-	-	-	-		
26	370-001-29190	PIN	-1	-	-	-	-	-	-	-	-	-	-	-	-	-	-		
27	806-131-10070	RING,RETAINING	-2	-	-	-	-	-	-	-	-	-	-	-	-	-	-		
28	313-208-48070	LEVER ASSY(WITH NUT)	-1	-	-	-	-	-	-	-	-	-	-	-	-	-	-		
29	313-208-48080	LEVER ASSY(WITH NUT)	-1	-	-	-	-	-	-	-	-	-	-	-	-	-	-		
30	313-208-48090	LEVER ASSY(WITH NUT)	-1	-	-	-	-	-	-	-	-	-	-	-	-	-	-		
31	313-208-48100	LEVER ASSY(WITH NUT)	-1	-	-	-	-	-	-	-	-	-	-	-	-	-	-		
32	313-208-30190	KNOB (RED)	-2	-	-	-	-	-	-	-	-	-	-	-	-	-	-		
33	313-208-48050	LEVER ASSY(WITH NUT)	-1	-	-	-	-	-	-	-	-	-	-	-	-	-	-		
34	313-208-48060	LEVER ASSY(WITH NUT)	-1	-	-	-	-	-	-	-	-	-	-	-	-	-	-		

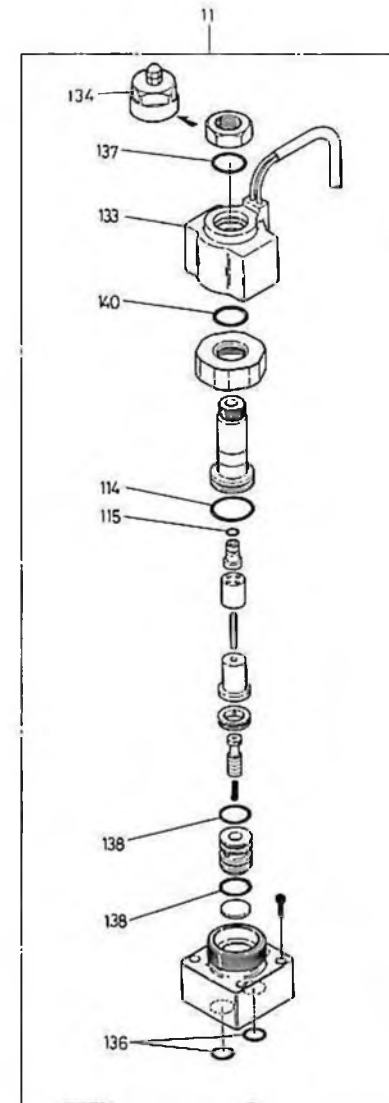
組立名称 Assembly Name		オペレーション システム、コントロールバルブ OPERATION SYSTEM, CONTROL VALVE		FIG. PL101-0116-03															
仕様書 Specification	番号 No.	A < 310-120-10010 (STD) > B < 310-120-10020 (SL) > C < 310-120-10030 (R.STD) > D < 310-120-10040 (R.SL) > E < 310-120-10050 (STD.D) > F < 310-120-10060 (SL.DF) > G < 310-120-10070 (R.STD) > H < 310-120-10080 (R.SL) > I < 310-120-10100 (6T) > J < 310-120-10110 (6T.R) > K < 310-120-10120 (STD.R) > L < 310-120-10130 (SL.R) > M < 310-120-10140 (STD.R) > N < 310-120-10150 (STD.R) > O < 310-120-10160 (SL.R) >																	
指示番号 Key No.	部品番号 Part No.	部品名称 Part Name	Qty Per Section 個数										実装号機 Serial No. (変更番号 Modif. No.)	ページ Page					
			A	B	C	D	E	F	G	H	I	J	K	L	M	N	O		
35	903-030-71201	WASHER,PLAIN 12	-3	-	-	-	-	-	-	-	-	-	-	-	-	-	-		
36	801-363-40020	PIN,SPLIT 4X20	-2	-	-	-	-	-	-	-	-	-	-	-	-	-	-		
37	370-003-05630	SPACER	-2	-	-	-	-	-	-	-	-	-	-	-	-	-	-		
40	313-208-48120	LEVER ASSY(WITH NUT)	-1	-	-	-	-	-	-	-	-	-	-	-	-	-	-		
41	313-208-48110	LEVER ASSY(WITH NUT)	-1	-	-	-	-	-	-	-	-	-	-	-	-	-	-		
42	313-208-41300	LEVER	-1	-	-	-	-	-	-	-	-	-	-	-	-	-	-		
43	807-201-04025	PIN,SPRING	-1	-	-	-	-	-	-	-	-	-	-	-	-	-	-		
52	370-016-01520	NUT	-12	-	-	-	-	-	-	-	-	-	-	-	-	-	-		
64	370-004-01920	BEARING,PLAIN	-2	-	-	-	-	-	-	-	-	-	-	-	-	-	-		
65	313-208-30030	PIN	-1	-	-	-	-	-	-	-	-	-	-	-	-	-	-		
71	313-208-30070	ROLLER	-1	-	-	-	-	-	-	-	-	-	-	-	-	-	-		



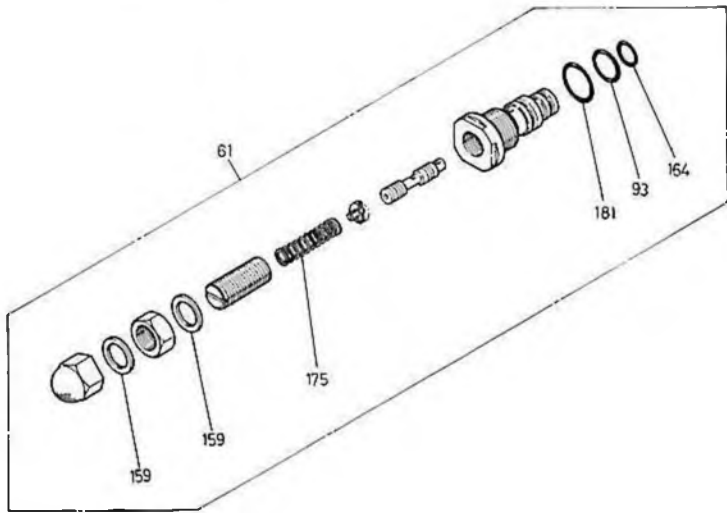
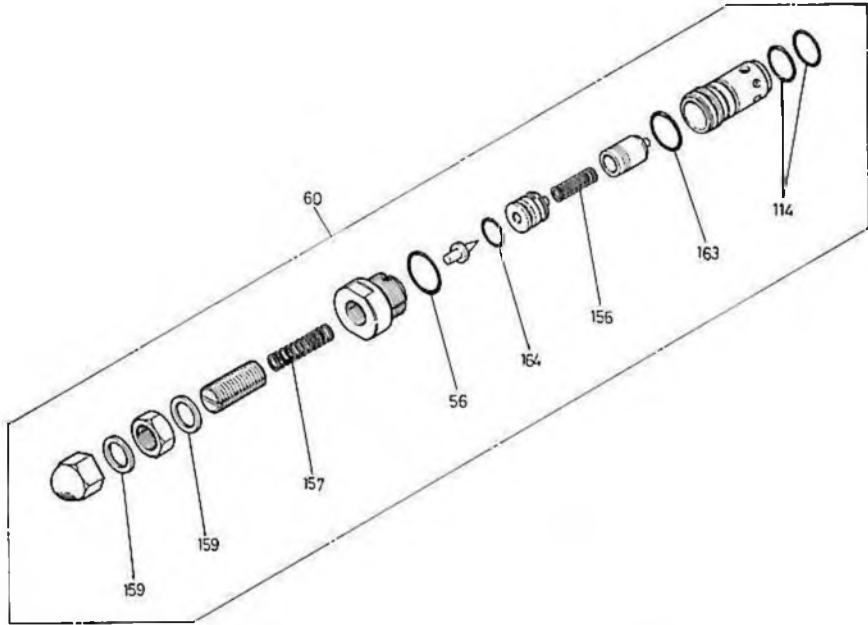
組立名称 バルブ, リモート コントロール (ラジコン, T)
Assembly Name VALVE, REMOTE CONTROL (RADIO CONTROL, T) PV102-0005-01



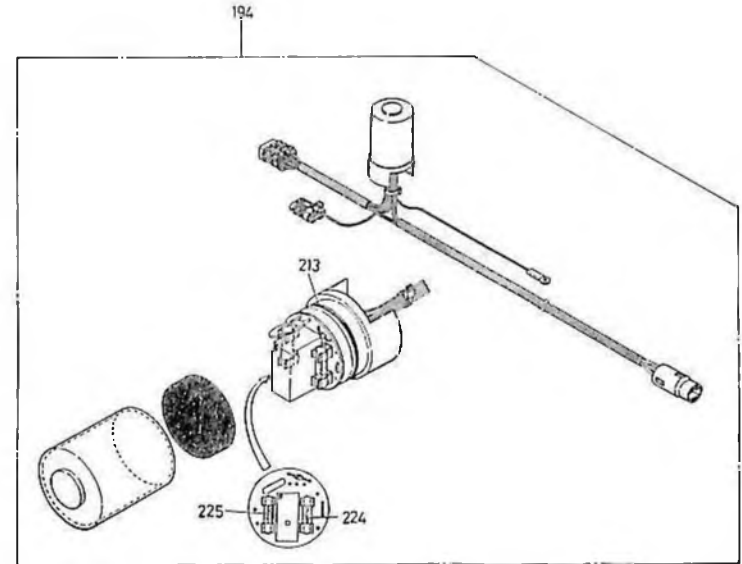
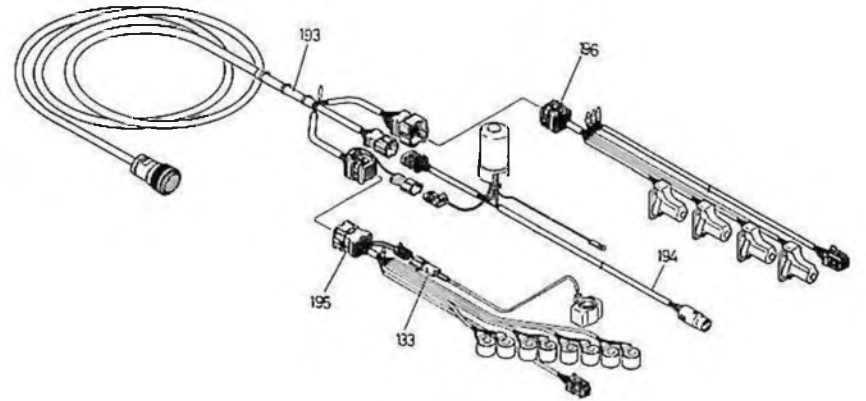
組立名称 バルブ, リモート コントロール (ラジコン, T)
Assembly Name VALVE, REMOTE CONTROL (RADIO CONTROL, T) PV102-0005-01

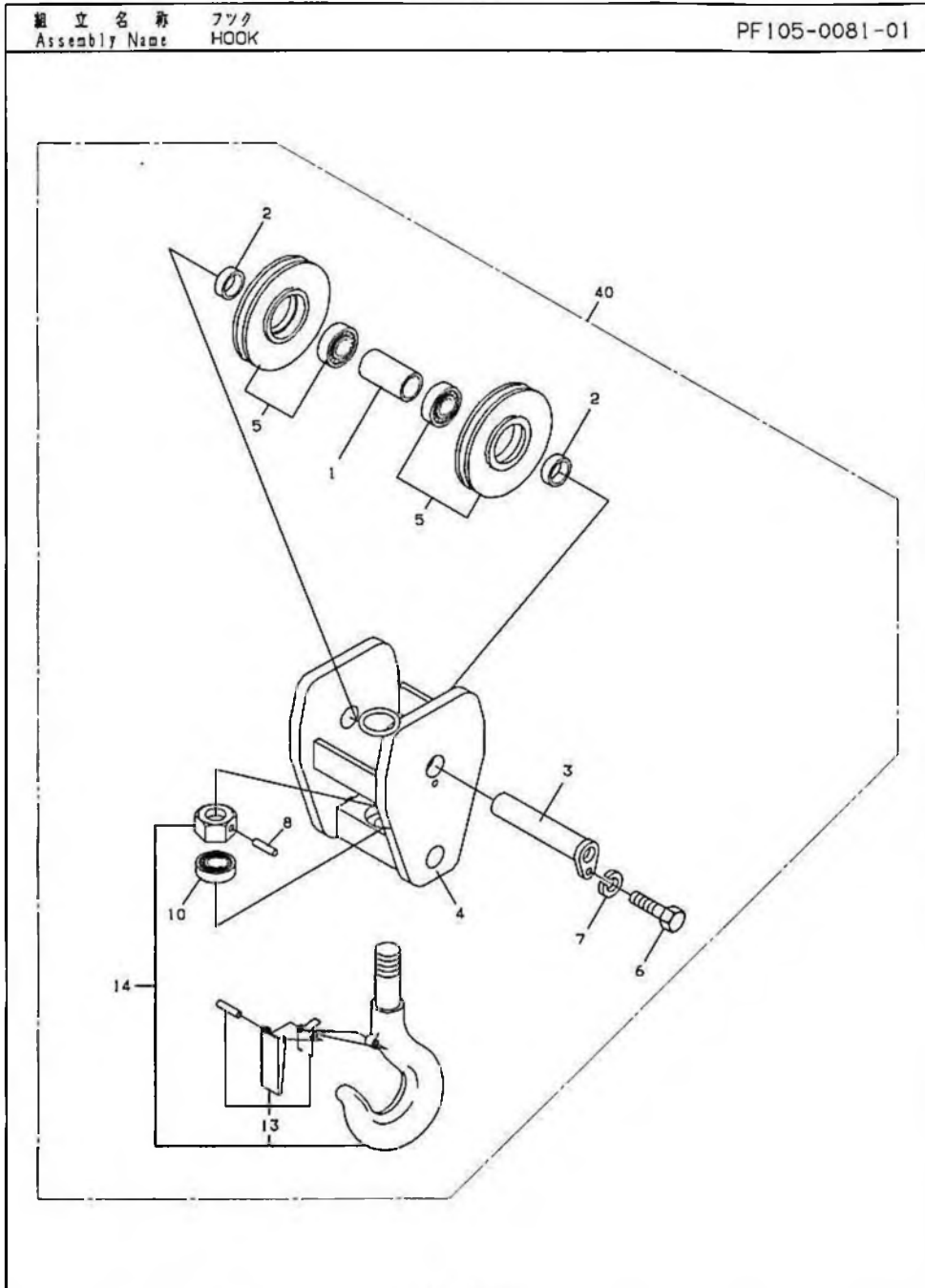


組立名称 Assembly Name	バルブ、リモートコントロール (ラジコン、T) VALVE, REMOTE CONTROL (RADIO CONTROL, T)	PV102-0005-01
-----------------------	---	---------------



組立名称 Assembly Name	バルブ、リモートコントロール (ラジコン、T) VALVE, REMOTE CONTROL (RADIO CONTROL, T)	PV102-0005-01
-----------------------	---	---------------





組立名称 フック
 Assembly Name HOOK

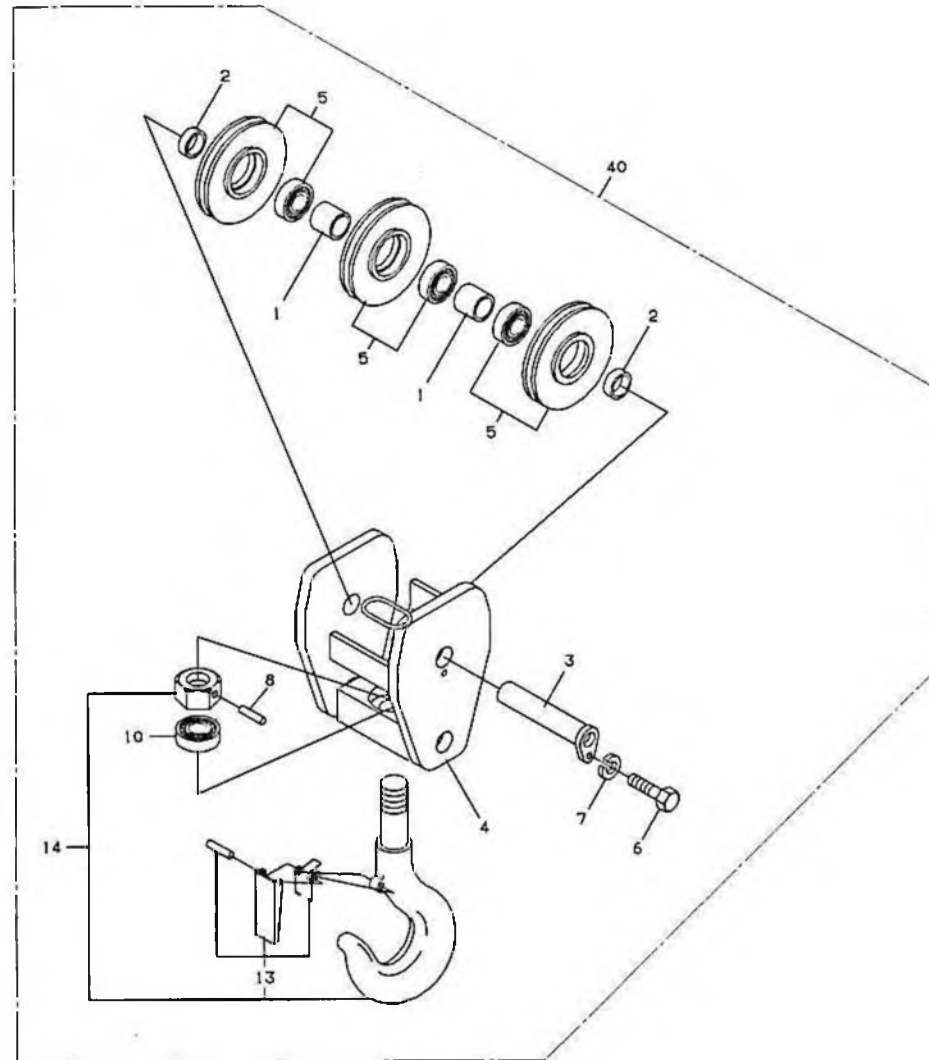
FIG. PF105-0081-01

仕様書番号
 Specification No. A < 310-120-20010 (2) > B < 310-120-20020 (3) > C < 310-120-20030 (4) > D < 310-120-20040 (5) > E < 310-120-20050 (6H) > F < 310-120-20110 (2 H) > G < 310-120-20120 (3 H) > H < 310-120-20130 (4 H) > I < 310-120-20140 (5 H) > J < 310-120-20150 (6H H) >

指示番号 Key No.	部品番号 Part No.	部品名称 Part Name	Q'ty Per Section 個数													実装号機 (実装番号) Serial No. Modifi. No.	ページ Page		
			A	B	C	D	E	F	G	H	I	J	K	L	M			N	O
1	370-003-05660	SPACER	1	1	1	1	-	-	-	-	-	-	-	-	-	-	-	- 040070 - 2034480	
1	370-003-01620	SPACER	1	1	1	1	-	-	-	-	-	-	-	-	-	-	-	040071 (2034460 -) - 040070 - 2034480	
2	114-215-52000	COLLAR	2	2	2	2	-	-	-	-	-	-	-	-	-	-	-	040071 (2034480 -)	
2	114-215-07000	SPACER	2	2	2	2	-	-	-	-	-	-	-	-	-	-	-	040071 (2034480 -)	
3	370-001-34360	PIN	1	1	1	1	-	-	-	-	-	-	-	-	-	-	-		
4	360-920-41000	BODY	1	1	1	1	-	-	-	-	-	-	-	-	-	-	-		
5	370-010-04350	SHEAVE ASSY (ASSY ONLY)	2	2	2	2	-	-	-	-	-	-	-	-	-	-	-		
6	901-012-10016	BOLT M10X16	1	1	1	1	-	-	-	-	-	-	-	-	-	-	-		
7	903-021-41001	WASHER, SPRING 10	1	1	1	1	-	-	-	-	-	-	-	-	-	-	-		
8	807-201-05050	PIN, SPRING 5X50	1	1	1	1	-	-	-	-	-	-	-	-	-	-	-	- 048773 - 2098856	
8	807-201-05056	PIN, SPRING 5X56	1	1	1	1	-	-	-	-	-	-	-	-	-	-	-	048774 (2098856 -)	
10	805-000-51207	BEARING, BALL 51207	1	1	1	1	-	-	-	-	-	-	-	-	-	-	-		
13	360-902-99510	STOPPER ASSY (ASSY ONLY)	1	1	1	1	-	-	-	-	-	-	-	-	-	-	-		
14	360-902-99520	HOOK ASSY	1	1	1	1	-	-	-	-	-	-	-	-	-	-	-		
40	360-920-40000	HOOK	1	1	1	1	-	-	-	-	-	-	-	-	-	-	-		

組立名称 フック
 Assembly Name HOOK

PF105-0083-01

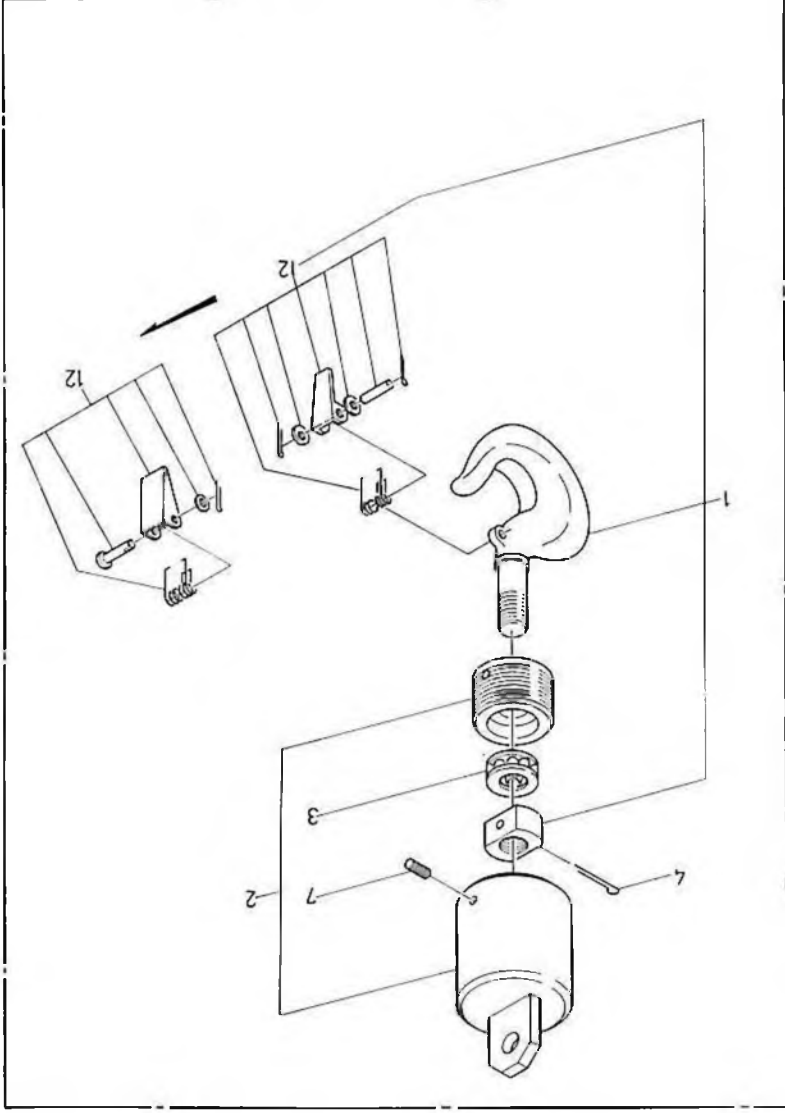


組立名称 フック
 Assembly Name HOOK

FIG. PF105-0083-01

スペック番号 A < 310-120-20010 (2) > B < 310-120-20020 (3) > C < 310-120-20030 (4) >
 Specification No. D < 310-120-20040 (5) > E < 310-120-20050 (6H) > F < 310-120-20110 (2 H) >
 G < 310-120-20120 (3 H) > H < 310-120-20130 (4 H) > I < 310-120-20140 (5 H) >
 J < 310-120-20150 (6H H) >

指示番号 Key No.	部品番号 Part No.	部品名称 Part Name	Q'ty Per Section 個数													実番号欄 (変更番号)	Serial No. Modifi. No.	ページ Page		
			A	B	C	D	E	F	G	H	I	J	K	L	M				N	O
1	116-210-57000	SPACER	-	-	-	2	-	-	-	-	-	-	-	-	-	-	-	(040049 - 2034481)	
1	370-003-02290	SPACER	-	-	-	2	-	-	-	-	-	-	-	-	-	-	-)	040050 (2034481 -)	
2	116-215-52000	COLLAR	-	-	-	2	-	-	-	-	-	-	-	-	-	-	-	(040049 - 2034481)	
2	114-215-07000	SPACER	-	-	-	2	-	-	-	-	-	-	-	-	-	-	-)	040050 (2034481 -)	
3	370-001-34360	PIN	-	-	-	1	-	-	-	-	-	-	-	-	-	-	-			
4	360-922-50100	BODY	-	-	-	1	-	-	-	-	-	-	-	-	-	-	-			
5	370-010-04350	SHEAVE ASSY (ASSY ONLY)	-	-	-	2	-	-	-	-	-	-	-	-	-	-	-			
6	901-012-10016	BOLT M10X16	-	-	-	1	-	-	-	-	-	-	-	-	-	-	-			
7	903-021-41001	WASHER, SPRING 10	-	-	-	1	-	-	-	-	-	-	-	-	-	-	-			
8	807-201-05050	PIN, SPRING 5X50	-	-	-	1	-	-	-	-	-	-	-	-	-	-	-		- 040773 (
8	807-201-05056	PIN, SPRING 5X56	-	-	-	1	-	-	-	-	-	-	-	-	-	-	-)	040774 (2098856 -)	
10	805-000-51207	BEARING, BALL 51207	-	-	-	1	-	-	-	-	-	-	-	-	-	-	-			
13	360-902-99510	STOPPER ASSY (ASSY ONLY)	-	-	-	1	-	-	-	-	-	-	-	-	-	-	-			
14	360-902-99520	HOOK ASSY	-	-	-	1	-	-	-	-	-	-	-	-	-	-	-			
40	360-922-50000	HOOK	-	-	-	1	-	-	-	-	-	-	-	-	-	-	-			



PF105-0161-01

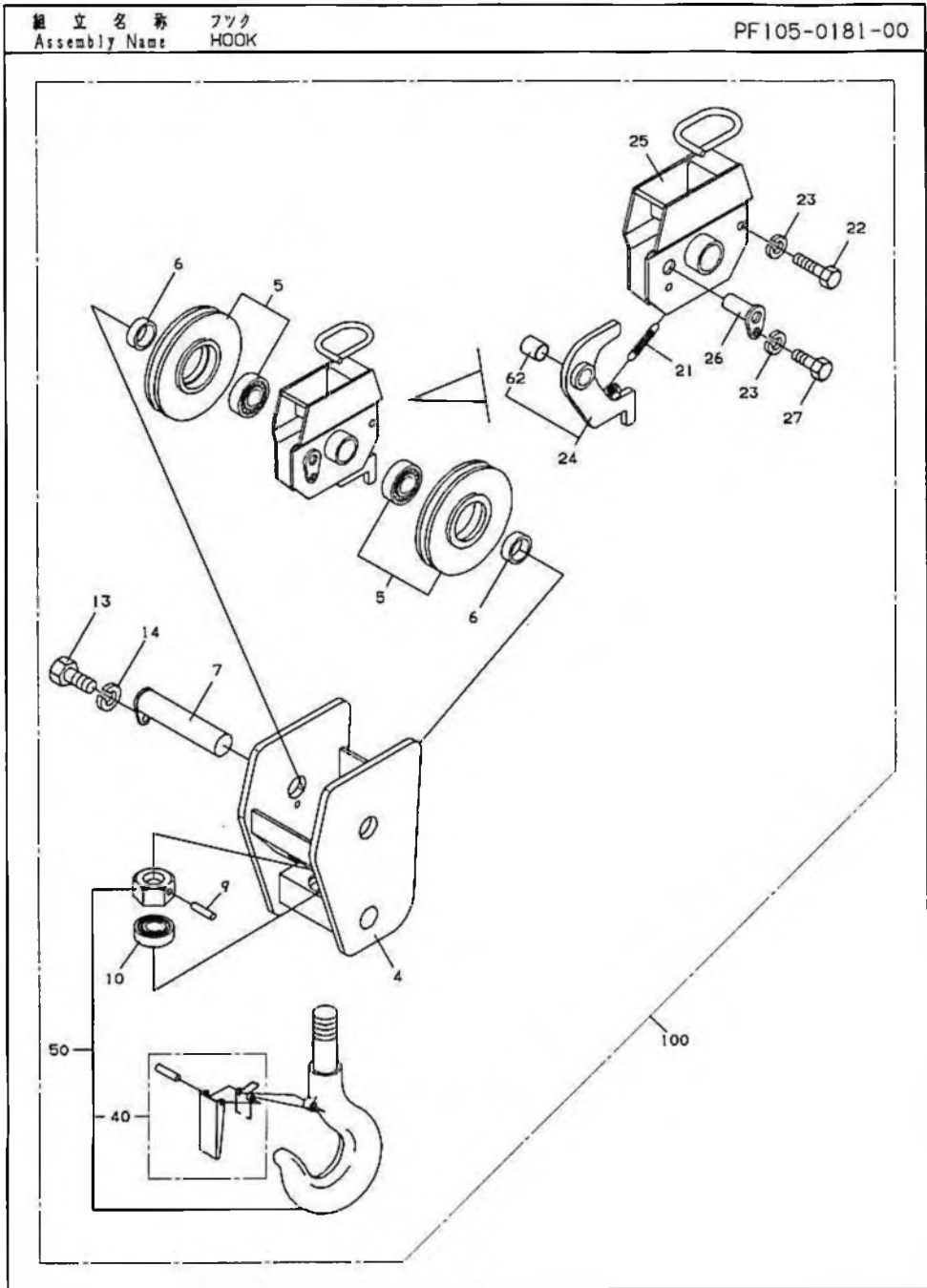
組立名称 777 (777-1177)
 ASSEMBLY NAME HOOK (1-PART LINE)

原寸番号 Part No.	部品番号 Part No.	部品名称 Part Name	A	B	C	D	E	F	G	H	I	J	K	L	M	N	O	Qty For Section 数量	実装機種 Serial No.	Page
1	1&2-116-95513	HOOK ASSY	1	1	1	1	1	1	1	1	1	1	1	1	1	1	1			
2	360-902-39510	BODY ASSY	1	1	1	1	1	1	1	1	1	1	1	1	1	1	1			
3	805-000-51205	BEARING,DALL 51205	1	1	1	1	1	1	1	1	1	1	1	1	1	1	1			
4	801-360-50060	PIV.SPLIT 5X60	1	1	1	1	1	1	1	1	1	1	1	1	1	1	1			
7	907-100-08200	SCREW,MACHINE M8X20	1	1	1	1	1	1	1	1	1	1	1	1	1	1	1			
12	360-902-89510	STOPPER ASSY (ASSY ONLY)	1	1	1	1	1	1	1	1	1	1	1	1	1	1	1			
20	360-902-30000	HOOK (1-PART LINE)	1	1	1	1	1	1	1	1	1	1	1	1	1	1	1			

組立名称 777 (777-1177)
 ASSEMBLY NAME HOOK (1-PART LINE)

仕様書番号
Specification No.
 A < 310-120-20010 (2) > D < 310-120-20020 (3) > C < 310-120-20030 (4) >
 D < 310-120-20040 (5) > E < 310-120-20050 (6H) > F < 310-120-20110 (2 H) >
 G < 310-120-20120 (3 H) > H < 310-120-20130 (4 H) > I < 310-120-20140 (5 H) >
 J < 310-120-20150 (6H H) >

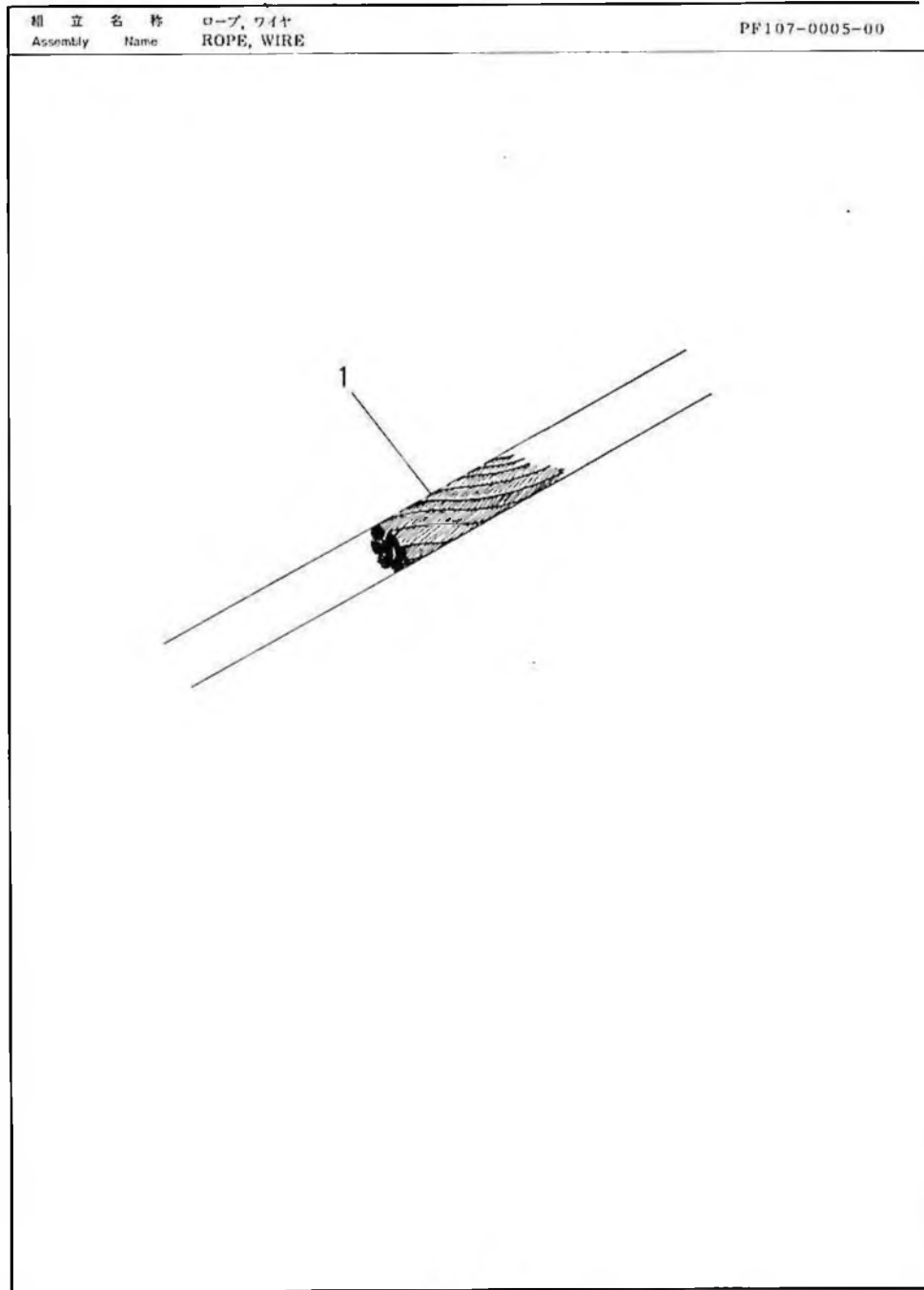
FIG. PF105-0161-01



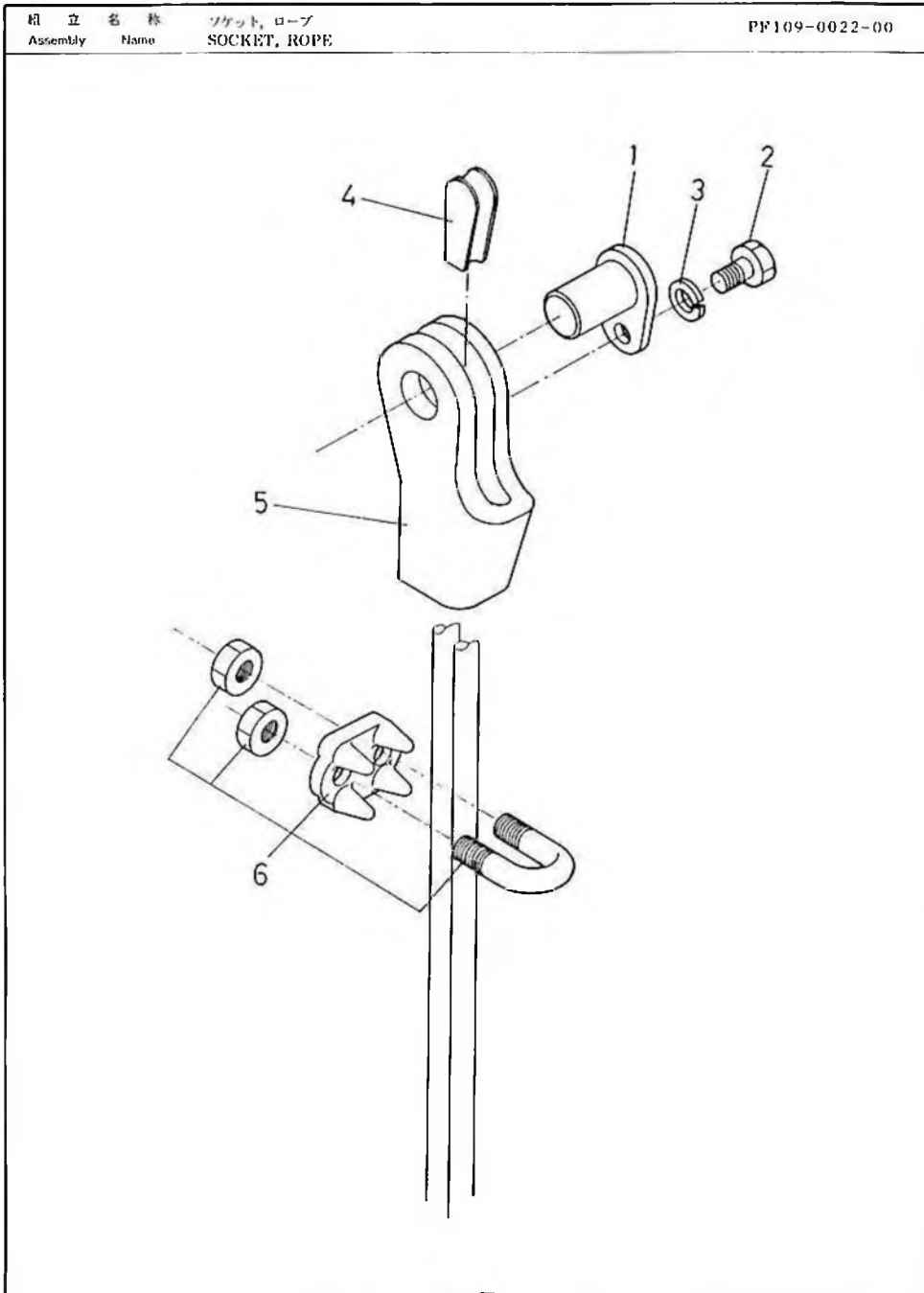
組立名称 フック
Assembly Name HOOK FIG. PF105-0181-00

仕様書番号 A < 310-120-20010 (2) > B < 310-120-20020 (3) > C < 310-120-20030 (4) >
Specification No. D < 310-120-20040 (5) > E < 310-120-20050 (6H) > F < 310-120-20110 (2 H) >
G < 310-120-20120 (3 H) > H < 310-120-20130 (4 H) > I < 310-120-20140 (5 H) >
J < 310-120-20150 (6H H) >

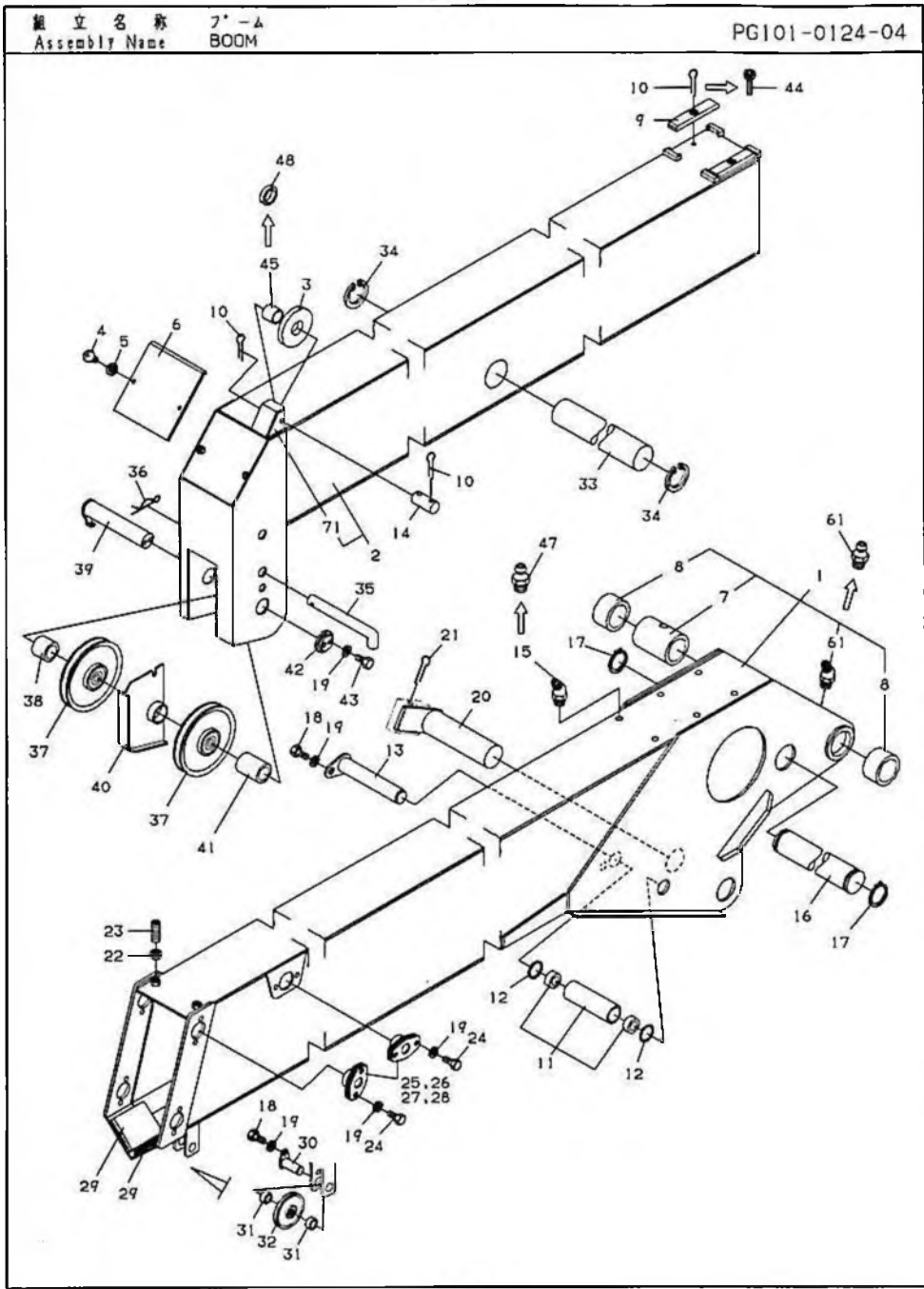
指示番号 Key No.	部品番号 Part No.	部品名称 Part Name	Qty Per Section 個数													実装号欄 (変更番号 Modifi. No.)	Serial No. ページ Page		
			A	B	C	D	E	F	G	H	I	J	K	L	M			N	O
4	360-933-43000	BODY	-	-	-	-	-	-	1	1	1	1	1	1	1	1			
5	370-010-04350	SHEAVE ASSY (ASSY ONLY)	-	-	-	-	-	-	2	2	2	2	2	2	2	2			
6	114-215-07000	SPACER	-	-	-	-	-	-	2	2	2	2	2	2	2	2			
7	370-002-02310	PIN	-	-	-	-	-	-	1	1	1	1	1	1	1	1			
9	807-201-05050	PIN, SPRING 5X50	-	-	-	-	-	-	1	1	1	1	1	1	1	1			- 048608
9	807-201-05056	PIN, SPRING 5X56	-	-	-	-	-	-	1	1	1	1	1	1	1	1			- 2098857
10	805-000-51207	BEARING, BALL 51207	-	-	-	-	-	-	1	1	1	1	1	1	1	1			048609 (2098857 -)
13	901-012-10016	BOLT M10X16	-	-	-	-	-	-	1	1	1	1	1	1	1	1			
14	903-021-41001	WASHER, SPRING 10	-	-	-	-	-	-	1	1	1	1	1	1	1	1			
21	536-202-33000	SPRING	-	-	-	-	-	-	1	1	1	1	1	1	1	1			
22	901-012-10048	BOLT M10X40	-	-	-	-	-	-	1	1	1	1	1	1	1	1			
23	903-021-41001	WASHER, SPRING 10	-	-	-	-	-	-	2	2	2	2	2	2	2	2			
24	360-933-41500	LINK ASSY	-	-	-	-	-	-	1	1	1	1	1	1	1	1			
25	360-933-42000	SPACER	-	-	-	-	-	-	1	1	1	1	1	1	1	1			
26	370-001-01000	PIN	-	-	-	-	-	-	1	1	1	1	1	1	1	1			
27	901-012-10014	BOLT M10X14	-	-	-	-	-	-	1	1	1	1	1	1	1	1			
40	360-902-99510	STOPPER ASSY (ASSY ONLY)	-	-	-	-	-	-	1	1	1	1	1	1	1	1			
50	360-933-49510	HOOK ASSY	-	-	-	-	-	-	1	1	1	1	1	1	1	1			
62	808-040-20025	BEARING, PLAIN	-	-	-	-	-	-	1	1	1	1	1	1	1	1			
100	360-933-40000	HOOK	-	-	-	-	-	-	1	1	1	1	1	1	1	1			



組立名称 Assembly Name		ロープ, ワイヤ ROPE, WIRE	FIG. PF107-0005-00																
スペック Specification	番 号 No.	A < 310-120-20010 (2) > B < 310-120-20020 (3) > C < 310-120-20030 (4) > D < 310-120-20040 (5) > E < 310-120-20050 (6H) > F < 310-120-20110 (2 H) > G < 310-120-20120 (3 H) > H < 310-120-20130 (4 H) > I < 310-120-20140 (5 H) > J < 310-120-20150 (6H H) >																	
指示番号 Key No	部品番号 Part No.	部品名称 Part Name	Qty Per Section 個数													実番号 (変更番号 Modifi. No.)	Serial No.	ページ Page	
			A	B	C	D	E	F	G	H	I	J	K	L	M				N
1	370-018-01500	ROPE, WIRE 8X72H (TOKYO SEIKOU)	-	-	-	1	1	-	-	-	1	-	-	-	-	-			
1	370-018-01560	ROPE, WIRE 8X50H (TOKYO SEIKOU)	-	-	-	1	-	-	-	1	-	-	-	-	-	-			
1	370-018-01660	ROPE, WIRE 8X62H (TOKYO SEIKOU)	-	-	-	1	-	-	-	1	-	-	-	-	-	-			
1	370-018-01840	ROPE, WIRE 8X39H (TOKYO SEIKOU)	1	-	-	-	-	-	1	-	-	-	-	-	-	-			
1	370-018-03830	ROPE, WIRE 8X83H	-	-	-	-	-	-	-	-	-	-	1	-	-	-			



組立名称 Assembly Name	ソケット, ロープ SOCKET, ROPE	FIG. PF109-0022-00																		
仕様番号 Specification No.	A < 310-120-20010 (2) > B < 310-120-20020 (3) > C < 310-120-20030 (4) > D < 310-120-20040 (5) > E < 310-120-20050 (6H) > F < 310-120-20110 (2 H) > G < 310-120-20120 (3 H) > H < 310-120-20130 (4 H) > I < 310-120-20140 (5 H) > J < 310-120-20150 (6H H) >																			
指示番号 Key No.	部品番号 Part No.	部品名称 Part Name	Qty Per Section 個数														実装番号 (実装番号)	Serial No. (Modif. No.)	ページ Page	
			A	B	C	D	E	F	G	H	I	J	K	L	M	N	O			
1	370-001-05061	PIN	1	1	1	1	1	1	1	1	1	1	1	1	1	1	1			
2	901-012-08014	BOLT MFX14	1	1	1	1	1	1	1	1	1	1	1	1	1	1	1			
3	903-021-40801	WASHER, SPRING 8	1	1	1	1	1	1	1	1	1	1	1	1	1	1				
4	370-026-00190	WEDGE (B)	1	1	1	1	1	1	1	1	1	1	1	1	1	1				
5	370-026-00100	SOCKET, ROPE (8K9)	1	1	1	1	1	1	1	1	1	1	1	1	1	1				
6	831-514-10802	CLIP	1	1	1	1	1	1	1	1	1	1	1	1	1	1				



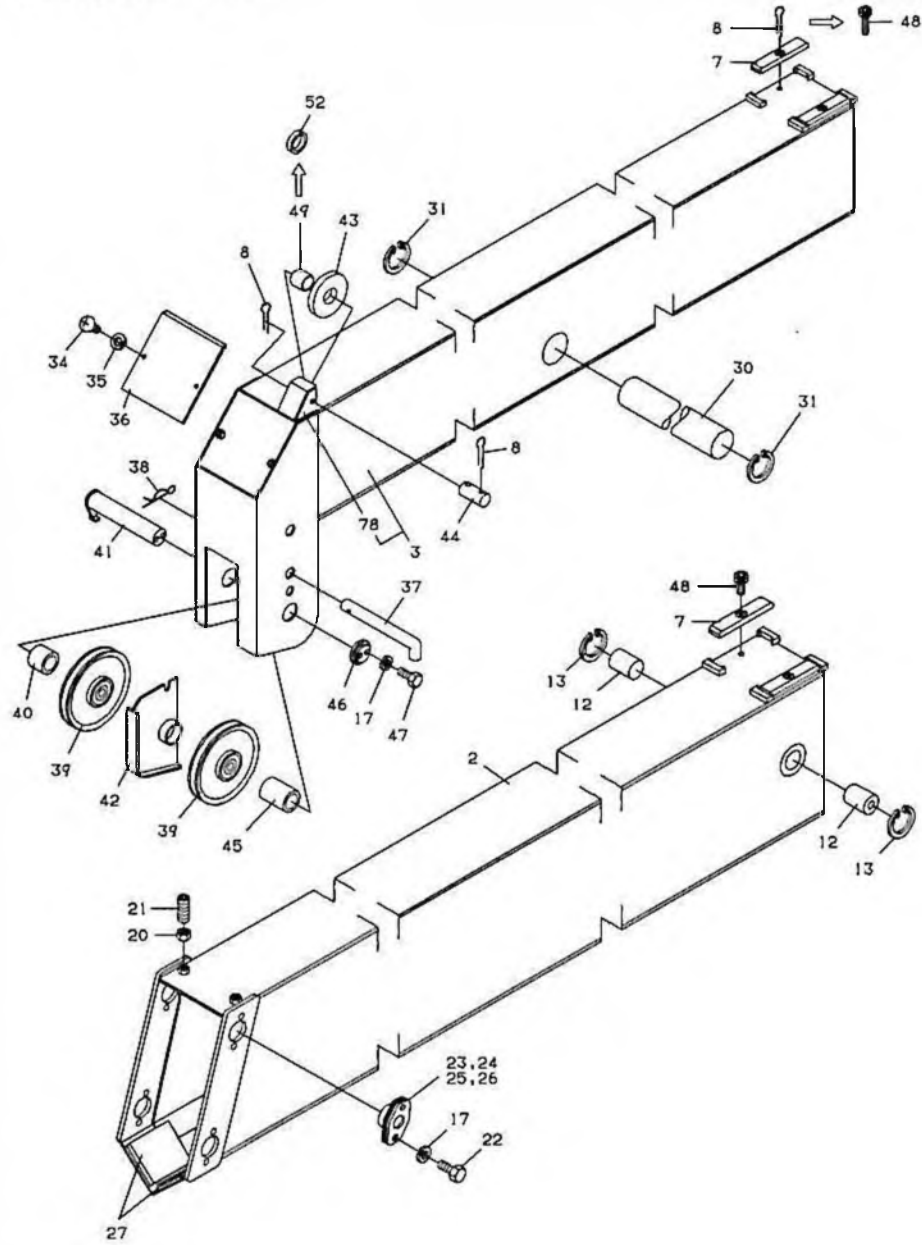
組立名称 フーム
Assembly Name BOOM FIG. PG101-0124-04

スペック番号 A < 310-120-20010 (2) > B < 310-120-20020 (3) > C < 310-120-20030 (4) >
Specification No. D < 310-120-20040 (5) > E < 310-120-20050 (6H) > F < 310-120-20110 (2 H) >
G < 310-120-20120 (3 H) > H < 310-120-20130 (4 H) > I < 310-120-20140 (5 H) >
J < 310-120-20150 (6H H) >

指示番号 Key No.	部品番号 Part No.	部品名称 Part Name	Qty Per Section 個数													実務号 (変更番号)	Serial No. Modif. No.	ページ Page	
			A	B	C	D	E	F	G	H	I	J	K	L	M				N
1	312-005-88010	BOOM, BASE	1																040066 - 2034855)
1	312-005-88011	BOOM, BASE	1															040067 (2034855 -	
2	312-005-82000	BOOM, TOP	1																
3	370-011-02460	ROLLER	1																
4	801-823-06010	SCREW, MACHINE M6X10	2																
5	903-020-70601	WASHER, SPRING H6	2																
6	312-005-83100	COVER	1																
7	370-003-05550	SPACER	2																- 040005 (040006 - 040066 (2032512 - 2034855)
7	370-003-05730	SPACER	1															040067 (2034855 -	
7	370-003-05730	SPACER	1																
8	370-004-00000	BEARING, PLAIN	2																- 040066 (040067 - 2034855)
8	370-004-00000	BEARING, PLAIN	2															040067 (2034855 -	
9	370-020-03930	PLATE, SLIDE	2																- 040011 (040012 - 2032832)
9	370-020-04130	PLATE, SLIDE	2															040012 (2032832 -	
10	801-363-32020	PIN, SPLIT 3.2X20	4																- 040011 (040012 - 2032832)
10	801-363-32020	PIN, SPLIT 3.2X20	2															040012 (2032832 -	
11	370-011-03390	ROLLER ASSY (ASSY ONLY)	1																
12	806-031-10220	RING, RETAINING	2																
13	370-001-26850	PIN	1																
14	370-001-04920	PIN	1																
15	824-500-04000	HIPPLE, GREASE	2																- 040066 (- 2034855)
15	824-501-04000	HIPPLE, GREASE	2															040067 - 040317 (2034855 - 2041325)	
15	824-501-04000	HIPPLE, GREASE	1															040318 - (2041325 -	
16	370-001-33560	PIN	1																
17	806-011-10300	RING, RETAINING S30	2																
18	901-012-10012	BOLT M10X12	2																
19	903-020-41001	WASHER, SPRING 10	1																
20	312-005-85200	PIN	1																
21	801-363-80080	PIN, SPLIT 6X80	1																- 040966 (- 2049205)
21	801-363-63080	PIN, SPLIT 6.3X80	1															040967 (2049205 -	
22	902-012-01000	NUT M10	2																- 040492 (- 2045292)
22	902-012-01000	NUT M10	1															040493 - (2045292 -	
23	907-100-10350	SCREW, SET M10X35	2																- 040492 (- 2045292)
23	907-100-10350	SCREW, SET M10X35	1															040493 - (2045292 -	
24	901-012-10016	BOLT M10X16	1																

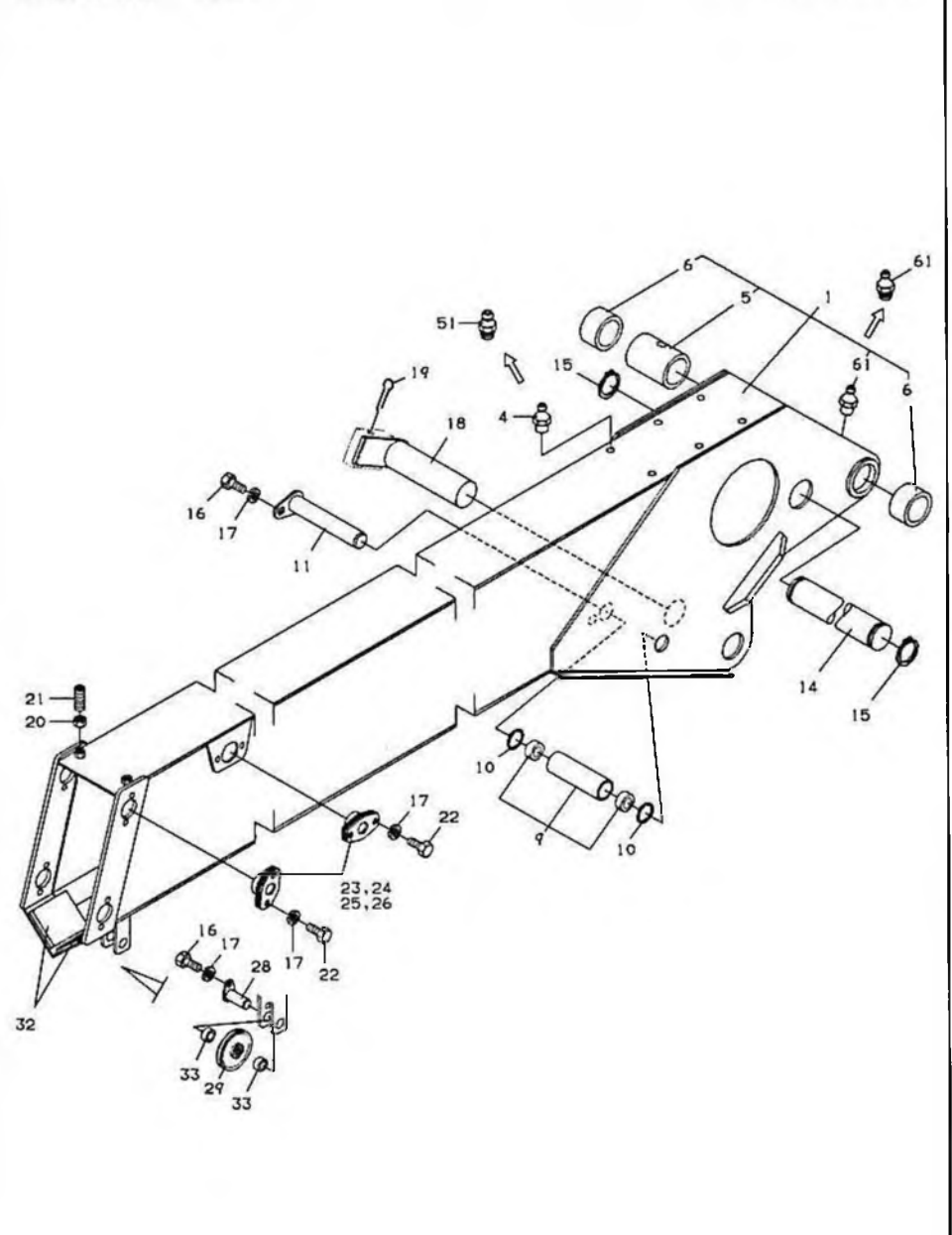
組立名称 フーム
Assembly Name BOOM

PG101-0125-04



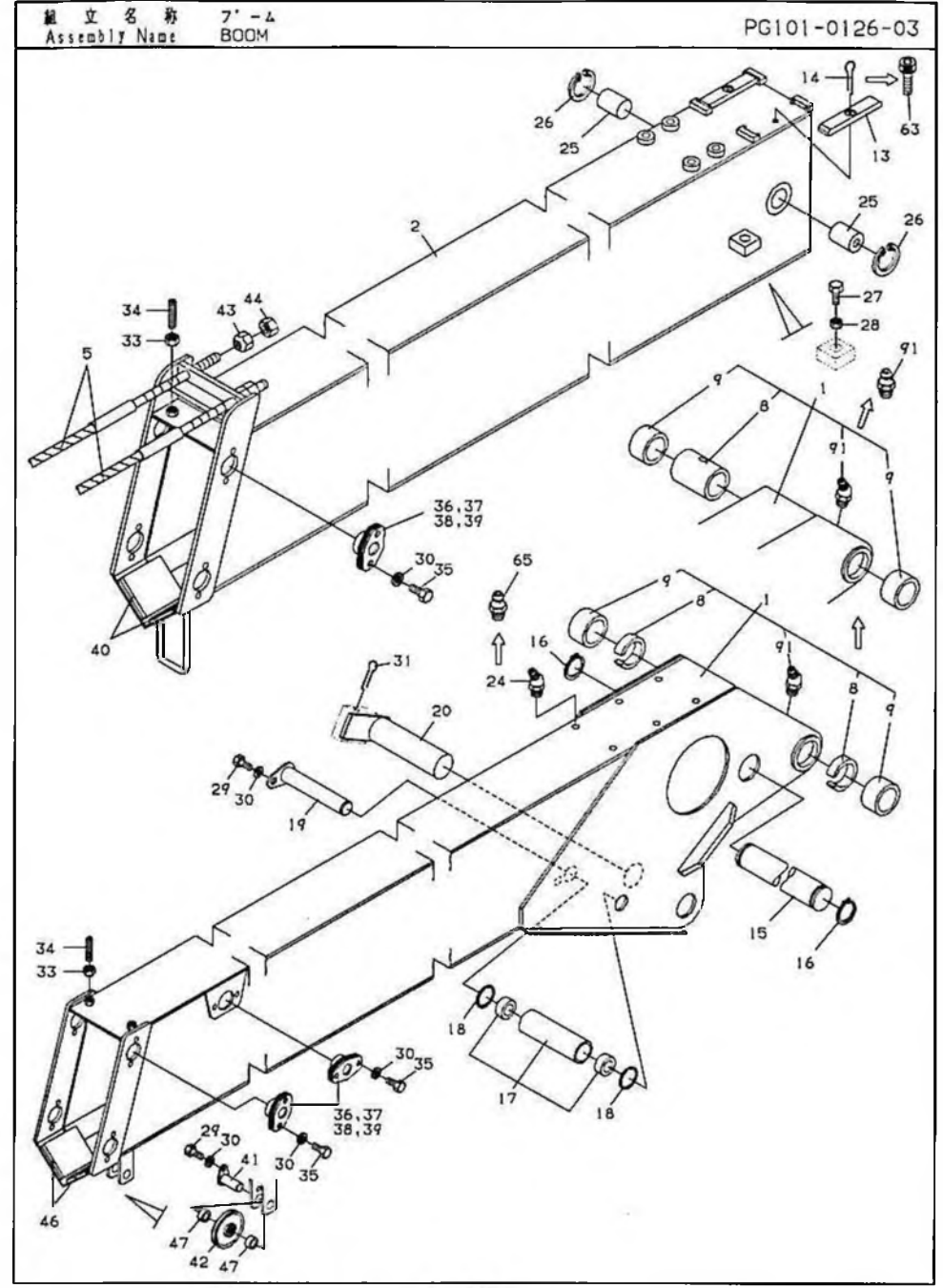
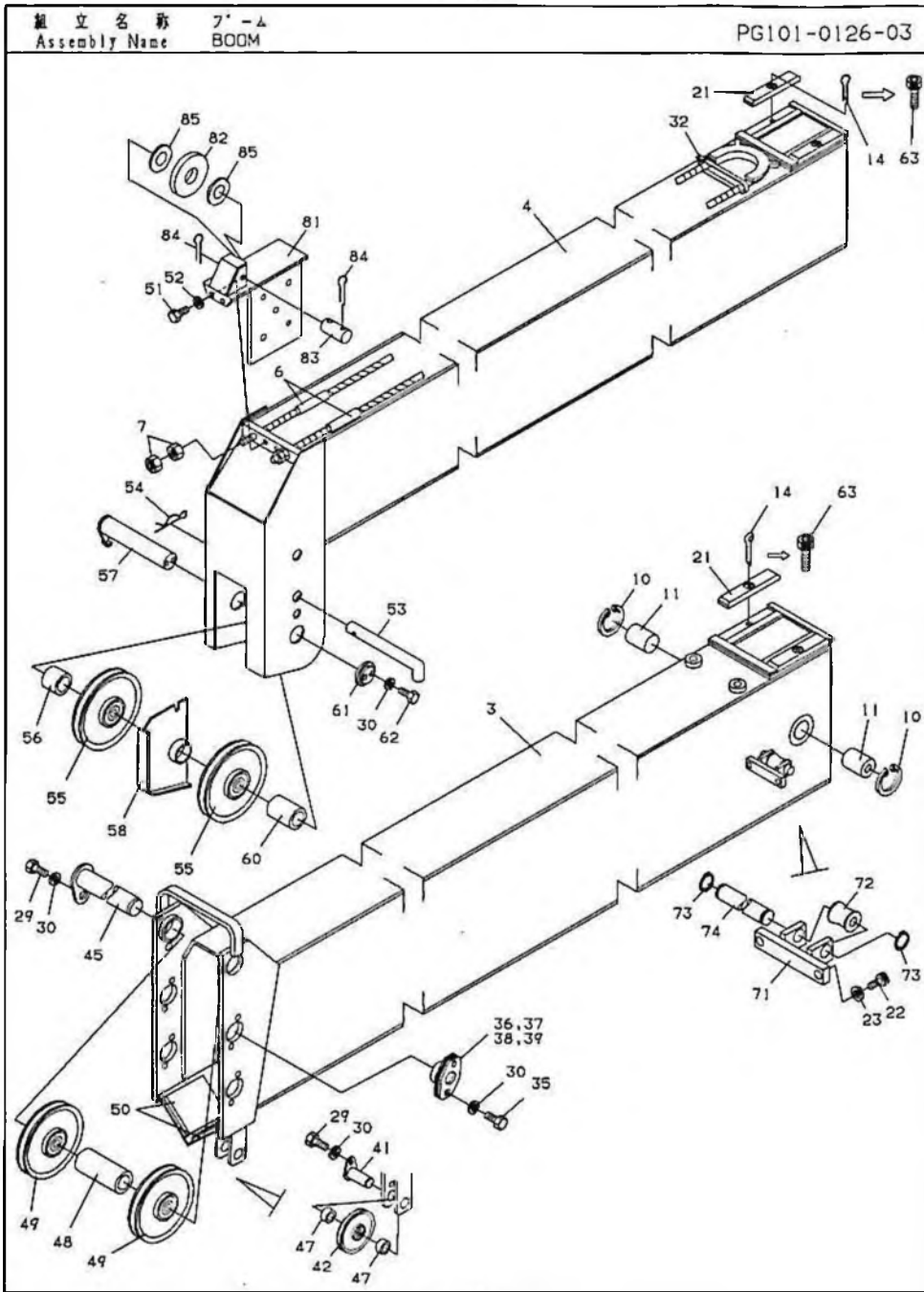
組立名称 フーム
Assembly Name BOOM

PG101-0125-04



組立名称 Assembly Name	部品名 Part Name	数量 Q'ty	Per Section	図番 Section	部品名 Part Name	数量 Q'ty	Per Section	図番 Section	実務号機 (変更番号) Serial No. (Modif. No.)	ページ Page			
組立名称 Assembly Name	312-005-84010	BOOM, BASE	-	1	-	-	-	-	-	040064	-	2034856	
	312-005-84011	BOOM, BASE	-	1	-	-	-	-	-	040065	-	(2034856)	
312-005-91000	BOOM, SECOND	-	1	-	-	-	-	-	-	-	-	-	
312-005-92000	BOOM, TOP	-	1	-	-	-	-	-	-	-	-	-	
824-500-04000	HIPPLE, GREASE	-	4	-	-	-	-	-	-	040064	-	(2034856)	
824-501-04000	HIPPLE, GREASE	-	4	-	-	-	-	-	-	040065	-	(2034856)	
824-501-04000	HIPPLE, GREASE	-	3	-	-	-	-	-	-	040317	-	(2034856)	
370-003-05550	SPACER	-	2	-	-	-	-	-	-	040318	-	040350	
370-003-05730	SPACER	-	1	-	-	-	-	-	-	040318	-	040350	
370-003-05730	SPACER	-	1	-	-	-	-	-	-	(2041327)	-	0401861	
370-004-00000	BEARING, PLAIN	-	2	-	-	-	-	-	-	040005	-	-	
370-004-00000	BEARING, PLAIN	-	2	-	-	-	-	-	-	(2032512)	-	-	
370-020-03930	PLATE, SLIDE	-	4	-	-	-	-	-	-	040006	-	040064	
370-020-04130	PLATE, SLIDE	-	4	-	-	-	-	-	-	(2032512)	-	2034856	
801-363-32020	PIN, SPLIT 3.2X20	-	6	-	-	-	-	-	-	040065	-	(2034856)	
801-363-32020	PIN, SPLIT 3.2X20	-	2	-	-	-	-	-	-	(2034856)	-	-	
370-011-03390	ROLLER ASSY (ASSY ONLY)	-	1	-	-	-	-	-	-	040065	-	040064	
806-031-10220	RING, RETAINING	-	2	-	-	-	-	-	-	(2034856)	-	-	
370-001-26850	PIN	-	1	-	-	-	-	-	-	040005	-	040005	
370-001-34150	PIN	-	2	-	-	-	-	-	-	(2032834)	-	-	
806-021-10300	RING, RETAINING R30	-	2	-	-	-	-	-	-	040006	-	040005	
370-001-33560	PIN	-	1	-	-	-	-	-	-	(2032834)	-	-	
806-011-10300	RING, RETAINING S30	-	2	-	-	-	-	-	-	040005	-	040005	
901-012-10012	BOLT M10X12	-	2	-	-	-	-	-	-	(2032834)	-	-	
903-020-41001	WASHER, SPRING 10	-	24	-	-	-	-	-	-	040006	-	040005	
312-005-83200	PIN	-	1	-	-	-	-	-	-	(2032834)	-	-	
801-363-80080	PIN, SPLIT 8X80	-	1	-	-	-	-	-	-	040006	-	040005	
801-363-63080	PIN, SPLIT 6.3X80	-	1	-	-	-	-	-	-	(2032834)	-	-	
902-012-01000	NUT M10	-	4	-	-	-	-	-	-	040066	-	0409204	
902-012-01000	NUT M10	-	2	-	-	-	-	-	-	(2049204)	-	-	
907-100-10350	SCREW, SET M10X35	-	4	-	-	-	-	-	-	040967	-	040492	
907-100-10350	SCREW, SET M10X35	-	2	-	-	-	-	-	-	(2049204)	-	-	
901-012-10016	BOLT M10X16	-	20	-	-	-	-	-	-	040492	-	040492	
312-005-83300	PLATE, SLIDE	-	10	-	-	-	-	-	-	(2045297)	-	-	
312-005-83400	SHIM T=2.3	-	10	-	-	-	-	-	-	040493	-	040492	

組立名称 Assembly Name	部品名 Part Name	数量 Q'ty	Per Section	図番 Section	部品名 Part Name	数量 Q'ty	Per Section	図番 Section	実務号機 (変更番号) Serial No. (Modif. No.)	ページ Page			
組立名称 Assembly Name	312-005-83500	SHIM T=1.6	-	10	-	-	-	-	-	040064	-	2034856	
	312-005-83600	SHIM T=0.6	-	10	-	-	-	-	-	040065	-	(2034856)	
370-020-03970	PLATE, SLIDE	-	2	-	-	-	-	-	-	-	-	-	
370-001-02070	PIN	-	1	-	-	-	-	-	-	-	-	-	
370-010-04510	SHEAVE ASSY (ASSY ONLY)	-	1	-	-	-	-	-	-	-	-	-	
370-001-34170	PIN	-	1	-	-	-	-	-	-	-	-	-	
806-021-10250	RING, RETAINING R25	-	2	-	-	-	-	-	-	-	-	-	
370-020-03940	PLATE, SLIDE	-	2	-	-	-	-	-	-	-	-	-	
370-003-00240	SPACER	-	2	-	-	-	-	-	-	-	-	-	
801-823-06010	SCREW, MACHINE M6X10	-	2	-	-	-	-	-	-	-	-	-	
903-020-40801	WASHER, SPRING M6	-	2	-	-	-	-	-	-	-	-	-	
312-005-93100	COVER	-	1	-	-	-	-	-	-	-	-	-	
312-005-83700	PIN	-	1	-	-	-	-	-	-	-	-	-	040676
806-202-10100	PIN, SHAP	-	1	-	-	-	-	-	-	-	-	-	2045298
370-010-04350	SHEAVE ASSY (ASSY ONLY)	-	2	-	-	-	-	-	-	-	-	-	040676
124-410-57000	SPACER	-	1	-	-	-	-	-	-	-	-	-	2045298
312-005-93200	PIN	-	1	-	-	-	-	-	-	-	-	-	-
312-005-83900	SPACER	-	1	-	-	-	-	-	-	-	-	-	-
370-011-02460	ROLLER	-	1	-	-	-	-	-	-	-	-	-	-
370-001-04920	PIN	-	1	-	-	-	-	-	-	-	-	-	-
370-003-05620	SPACER	-	1	-	-	-	-	-	-	-	-	-	-
312-005-84000	COVER	-	1	-	-	-	-	-	-	-	-	-	-
901-912-10020	BOLT M10X20	-	2	-	-	-	-	-	-	-	-	-	-
901-515-06008	BOLT, HEXAGON SOCKET M6X8	-	4	-	-	-	-	-	-	040006	-	040010	
370-003-02940	SPACER	-	1	-	-	-	-	-	-	(2032834)	-	(2035897)	
824-551-06000	HIPPLE, GREASE A-M6 FE	-	2	-	-	-	-	-	-	040351	-	-	
370-003-07020	SPACER	-	2	-	-	-	-	-	-	(2041861)	-	-	
824-500-04000	HIPPLE, GREASE	-	1	-	-	-	-	-	-	040813	-	-	
824-501-04000	HIPPLE, GREASE	-	1	-	-	-	-	-	-	(2047328)	-	-	
824-541-01000	HIPPLE, GREASE A-PT11/8	-	1	-	-	-	-	-	-	040064	-	040064	
312-007-12040	SUPPORT	-	1	-	-	-	-	-	-	(2034856)	-	040317	



組立名称 Assembly Name		ブーム BOOM	FIG. PG101-0126-03															
スペック 番号 Specification No.			A < 310-120-20010 (2) > D < 310-120-20020 (3) > C < 310-120-20030 (4) > D < 310-120-20040 (5) > E < 310-120-20050 (6H) > F < 310-120-20110 (2 H) > G < 310-120-20120 (3 H) > H < 310-120-20130 (4 H) > I < 310-120-20140 (5 H) > J < 310-120-20150 (6N H) >															
指示番号 Key No.	部品番号 Part No.	部品名称 Part Name	Qty Per Section 個数											実装号欄 Serial No. (変更番号 Modif. No.)	ページ Page			
			A	B	C	D	E	F	G	H	I	J	K			L	M	N
1	312-005-88010	BOOM,BASE	-	1	-	-	-	-	-	-	-	-	-	-	-		(040067 - 2034853)	
1	312-005-88011	BOOM,BASE	-	1	-	-	-	-	-	-	-	-	-	-	-			
2	312-006-01000	BOOM,SECOND	-	1	-	-	-	-	-	-	-	-	-	-	-			
3	312-006-02000	BOOM,THIRD	-	1	-	-	-	-	-	-	-	-	-	-	-			
4	312-006-03000	BOOM,TOP	-	1	-	-	-	-	-	-	-	-	-	-	-			
5	370-019-00610	ROPE,WIRE	-	1	-	-	-	-	-	-	-	-	-	-	-			
6	370-019-03570	ROPE,WIRE	-	1	-	-	-	-	-	-	-	-	-	-	-			
7	902-022-01200	NUT	-	4	-	-	-	-	-	-	-	-	-	-	-			
8	370-003-05550	SPACER	-	2	-	-	-	-	-	-	-	-	-	-	-		(040005 - 2032512)	
8	370-003-05730	SPACER	-	1	-	-	-	-	-	-	-	-	-	-	-		(040006 - 040067)	
8	370-003-05730	SPACER	-	1	-	-	-	-	-	-	-	-	-	-	-		(040068 - 2034853)	
9	370-004-00000	BEARING,PLAIN	-	2	-	-	-	-	-	-	-	-	-	-	-		(040067 - 2034853)	
9	370-004-00000	BEARING,PLAIN	-	2	-	-	-	-	-	-	-	-	-	-	-		(040068 - 2034853)	
10	806-021-10350	RING,RETAINING R35	-	2	-	-	-	-	-	-	-	-	-	-	-			
11	370-001-09640	PIN	-	2	-	-	-	-	-	-	-	-	-	-	-			
13	370-020-03930	PLATE,SLIDE	-	2	-	-	-	-	-	-	-	-	-	-	-		(040012 - 2032838)	
13	370-020-04130	PLATE,SLIDE	-	2	-	-	-	-	-	-	-	-	-	-	-		(040013 - 2032838)	
14	801-363-32020	PIN,SPLIT 3.2X20	-	6	-	-	-	-	-	-	-	-	-	-	-		(040012 - 2032838)	
15	370-001-33560	PIN	-	1	-	-	-	-	-	-	-	-	-	-	-			
16	806-011-10300	RING,RETAINING S30	-	2	-	-	-	-	-	-	-	-	-	-	-			
17	370-011-03370	ROLLER ASSY (ASSY ONLY)	-	1	-	-	-	-	-	-	-	-	-	-	-			
18	806-031-10220	RING,RETAINING	-	2	-	-	-	-	-	-	-	-	-	-	-			
19	370-001-26850	PIN	-	1	-	-	-	-	-	-	-	-	-	-	-			
20	312-005-83200	PIN	-	1	-	-	-	-	-	-	-	-	-	-	-			
21	370-020-03980	PLATE,SLIDE	-	4	-	-	-	-	-	-	-	-	-	-	-		(040012 - 2032838)	
21	370-020-04140	PLATE,SLIDE	-	4	-	-	-	-	-	-	-	-	-	-	-		(040013 - 2032838)	
22	901-319-10020	BOLT,HEXAGON SOCKET M10X20	-	2	-	-	-	-	-	-	-	-	-	-	-			
23	903-024-01001	WASHER,SPRING 10	-	2	-	-	-	-	-	-	-	-	-	-	-			
24	824-500-04000	HIPLPLE,GREASE	-	6	-	-	-	-	-	-	-	-	-	-	-		(040067 - 2034853)	
24	824-501-04000	HIPLPLE,GREASE	-	6	-	-	-	-	-	-	-	-	-	-	-		(040068 - 040350)	
25	370-001-34150	PIN	-	2	-	-	-	-	-	-	-	-	-	-	-		(2034853 - 2041862)	
26	806-021-10300	RING,RETAINING R30	-	2	-	-	-	-	-	-	-	-	-	-	-			
27	901-012-12030	BOLT M12X30	-	1	-	-	-	-	-	-	-	-	-	-	-			
28	902-032-01200	NUT M12	-	1	-	-	-	-	-	-	-	-	-	-	-			
29	901-012-10012	BOLT M10X12	-	4	-	-	-	-	-	-	-	-	-	-	-			

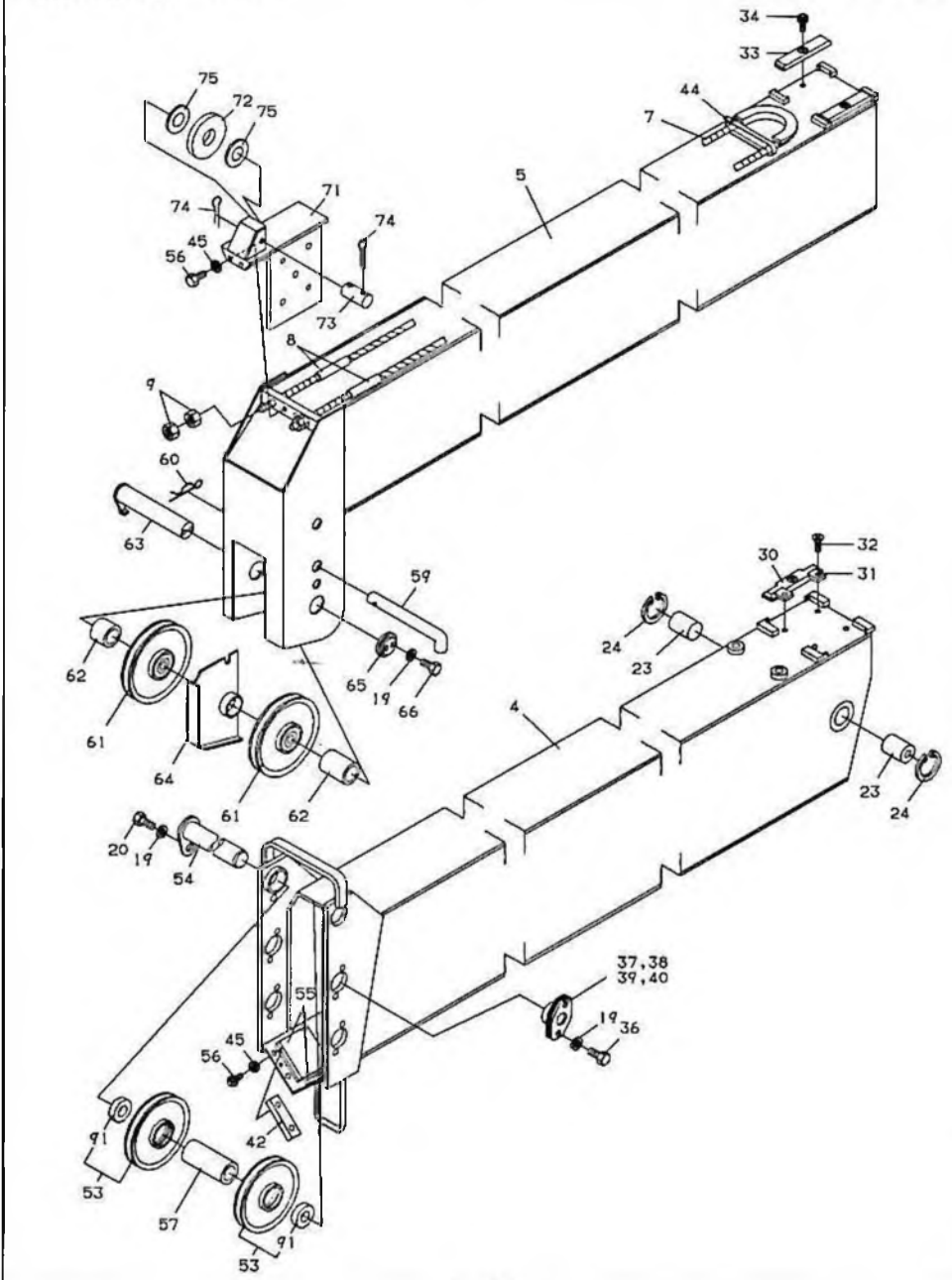
組立名称 Assembly Name		ブーム BOOM	FIG. PG101-0126-03															
スペック 番号 Specification No.			A < 310-120-20010 (2) > B < 310-120-20020 (3) > C < 310-120-20030 (4) > D < 310-120-20040 (5) > E < 310-120-20050 (6H) > F < 310-120-20110 (2 H) > G < 310-120-20120 (3 H) > H < 310-120-20130 (4 H) > I < 310-120-20140 (5 H) > J < 310-120-20150 (6N H) >															
指示番号 Key No.	部品番号 Part No.	部品名称 Part Name	Qty Per Section 個数											実装号欄 Serial No. (変更番号 Modif. No.)	ページ Page			
			A	B	C	D	E	F	G	H	I	J	K			L	M	N
30	903-020-41001	WASHER,SPRING 10	-	34	-	-	-	-	-	-	-	-	-	-	-			
31	801-363-80080	PIN,SPLIT 8X80	-	1	-	-	-	-	-	-	-	-	-	-	-		(- 040966 - 2049206)	
31	801-363-65080	PIN,SPLIT 6.3X80	-	1	-	-	-	-	-	-	-	-	-	-	-		(040967 - 2049206)	
32	918-000-00005	FASTENER	-	1	-	-	-	-	-	-	-	-	-	-	-		(- 040019 - 2032839)	
33	902-012-01000	NUT M10	-	4	-	-	-	-	-	-	-	-	-	-	-		(- 040492 - 2045300)	
33	902-012-01000	NUT M10	-	2	-	-	-	-	-	-	-	-	-	-	-		(040493 - 2045300)	
34	907-100-10350	SCREW,SET M10X35	-	4	-	-	-	-	-	-	-	-	-	-	-		(- 040492 - 2045300)	
34	907-100-10350	SCREW,SET M10X35	-	2	-	-	-	-	-	-	-	-	-	-	-		(040493 - 2045300)	
35	901-012-10016	BOLT M10X16	-	2	-	-	-	-	-	-	-	-	-	-	-			
36	312-005-83300	PLATE,SLIDE	-	14	-	-	-	-	-	-	-	-	-	-	-			
37	312-005-83400	SHIM T=2.3	-	14	-	-	-	-	-	-	-	-	-	-	-			
38	312-005-83500	SHIM T=1.6	-	14	-	-	-	-	-	-	-	-	-	-	-			
39	312-005-83600	SHIM T=0.6	-	14	-	-	-	-	-	-	-	-	-	-	-			
40	370-020-03970	PLATE,SLIDE	-	2	-	-	-	-	-	-	-	-	-	-	-			
41	370-001-02070	PIN	-	2	-	-	-	-	-	-	-	-	-	-	-			
42	370-010-04510	SHEAVE ASSY (ASSY ONLY)	-	2	-	-	-	-	-	-	-	-	-	-	-			
43	370-016-01560	NUT	-	2	-	-	-	-	-	-	-	-	-	-	-			
44	902-022-01400	NUT M14	-	2	-	-	-	-	-	-	-	-	-	-	-			
45	370-001-34790	PIN	-	1	-	-	-	-	-	-	-	-	-	-	-			
46	370-020-03940	PLATE,SLIDE	-	2	-	-	-	-	-	-	-	-	-	-	-			
47	370-003-00260	SPACER	-	4	-	-	-	-	-	-	-	-	-	-	-			
48	370-003-01480	SPACER	-	1	-	-	-	-	-	-	-	-	-	-	-		(- 045345 - 2083189)	
48	370-003-07510	SPACER	-	1	-	-	-	-	-	-	-	-	-	-	-		(045346 - 2083189)	
49	370-010-04490	SHEAVE ASSY (ASSY ONLY)	-	2	-	-	-	-	-	-	-	-	-	-	-			
50	370-020-04070	PLATE,SLIDE	-	2	-	-	-	-	-	-	-	-	-	-	-			
51	901-012-08016	BOLT HRX16	-	2	-	-	-	-	-	-	-	-	-	-	-			
52	903-020-40801	WASHER,SPRING 8	-	2	-	-	-	-	-	-	-	-	-	-	-			
53	312-006-04300	PIN	-	1	-	-	-	-	-	-	-	-	-	-	-		(- 040518 - 2045301)	
54	806-202-10100	PIN,SHAP	-	1	-	-	-	-	-	-	-	-	-	-	-		(- 040518 - 2045301)	
55	370-010-04350	SHEAVE ASSY (ASSY ONLY)	-	2	-	-	-	-	-	-	-	-	-	-	-		(- 2045301)	
56	124-410-57000	SPACER	-	1	-	-	-	-	-	-	-	-	-	-	-			
57	312-006-04400	PIN	-	1	-	-	-	-	-	-	-	-	-	-	-			
58	312-006-04500	SPACER	-	1	-	-	-	-	-	-	-	-	-	-	-			
60	124-411-04000	SPACER	-	1	-	-	-	-	-	-	-	-	-	-	-			
61	312-005-84000	COVER	-	1	-	-	-	-	-	-	-	-	-	-	-			

組立名称 Assembly Name		フーム BOOH	FIG. PG101-0126-03																
スペック Specification		番号 No.	A < 310-120-20010 (2) > B < 310-120-20020 (3) > C < 310-120-20030 (4) > D < 310-120-20040 (5) > E < 310-120-20050 (6M) > F < 310-120-20110 (2 H) > G < 310-120-20120 (3 H) > H < 310-120-20130 (4 H) > I < 310-120-20140 (5 H) > J < 310-120-20150 (6M H) >																
指示番号 Key No.	部品番号 Part No.	部品名称 Part Name	Q'ty Per Section 個数														実番号 (変更番号)	Serial No. Modif. No.	ページ Page
			A	B	C	D	E	F	G	H	I	J	K	L	M	N			
62	901-012-10020	BOLT M10X20	-	-	2	-	-	-	-	-	-	-	-	-	-	-	-		
63	901-315-06008	BOLT,HEXAGON SOCKET M6X8	-	-	6	-	-	-	-	-	-	-	-	-	-	-	-	040013 - (2032838 -)	
65	824-551-06000	NIPPLE,GREASE A-M6F FE	-	-	6	-	-	-	-	-	-	-	-	-	-	-	-	040351 - (2041862 -)	
71	312-006-04200	SUPPORT	-	-	1	-	-	-	-	-	-	-	-	-	-	-	-		
72	370-011-01900	ROLLER	-	-	1	-	-	-	-	-	-	-	-	-	-	-	-		
73	806-011-10120	RING,RETAINING SIZ	-	-	2	-	-	-	-	-	-	-	-	-	-	-	-		
74	370-002-00840	PIN	-	-	1	-	-	-	-	-	-	-	-	-	-	-	-	- 040117 (- 2036210)	
74	370-001-34160	PIN	-	-	1	-	-	-	-	-	-	-	-	-	-	-	-	040118 - (2036210 -)	
81	312-006-04700	SUPPORT	-	-	1	-	-	-	-	-	-	-	-	-	-	-	-		
82	370-011-02460	ROLLER	-	-	1	-	-	-	-	-	-	-	-	-	-	-	-		
83	370-001-04920	PIN	-	-	1	-	-	-	-	-	-	-	-	-	-	-	-		
84	801-363-32020	PIN,SPLIT 3.2X20	-	-	2	-	-	-	-	-	-	-	-	-	-	-	-		
85	370-003-07020	SPACER	-	-	2	-	-	-	-	-	-	-	-	-	-	-	-	040796 - (2047322 -)	
91	824-500-04000	NIPPLE,GREASE	-	-	1	-	-	-	-	-	-	-	-	-	-	-	-	- 040067 (- 2034853)	
91	824-501-04000	NIPPLE,GREASE	-	-	1	-	-	-	-	-	-	-	-	-	-	-	-	040068 - 040317 (2034853 - 2041325)	
91	824-561-01000	NIPPLE,GREASE A-PT1/8	-	-	1	-	-	-	-	-	-	-	-	-	-	-	-	040318 - (2041325 -)	

MEMO

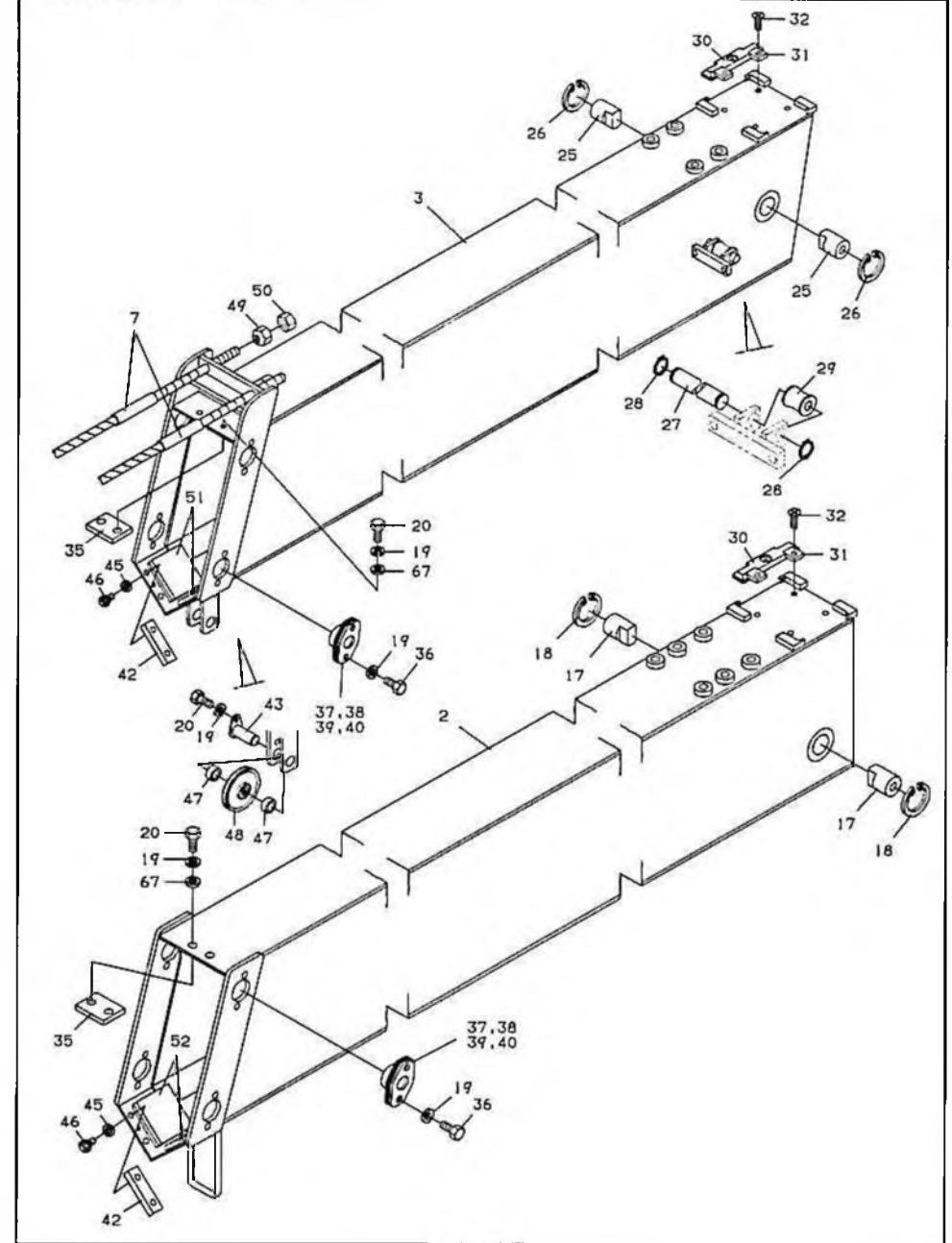
組立名称 7'-4
Assembly Name BOOM

PG101-0129-03



組立名称 7'-4
Assembly Name BOOM

PG101-0129-03



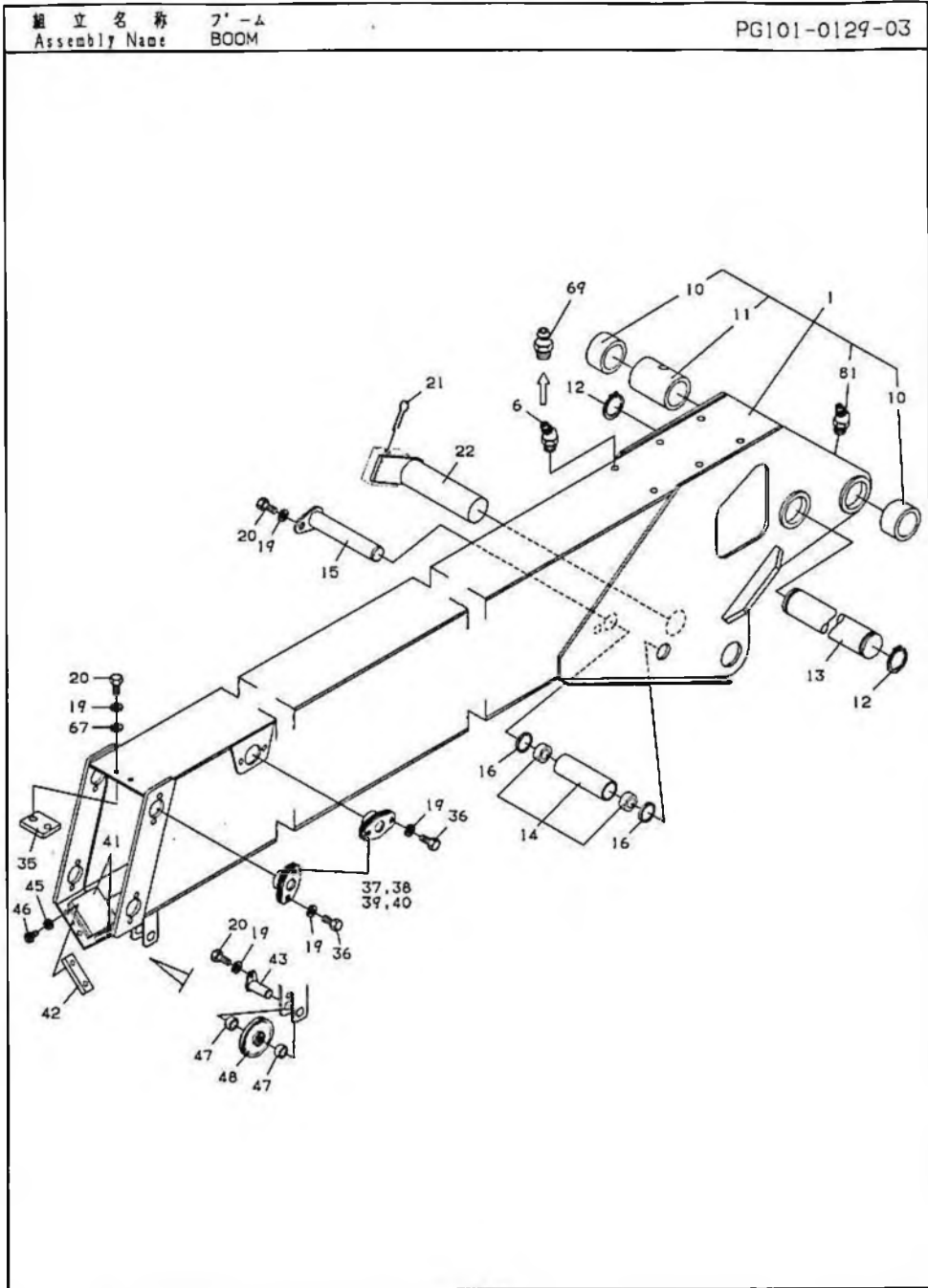


FIG. PG101-0129-03

組立名称 フーム
Assembly Name BOOM

スペック番号 A < 310-120-20010 (2) > B < 310-120-20020 (3) > C < 310-120-20030 (4) >
Specification No. D < 310-120-20040 (5) > E < 310-120-20050 (6H) > F < 310-120-20110 (2 H) >
G < 310-120-20120 (3 H) > H < 310-120-20130 (4 H) > I < 310-120-20140 (5 H) >
J < 310-120-20150 (6H H) >

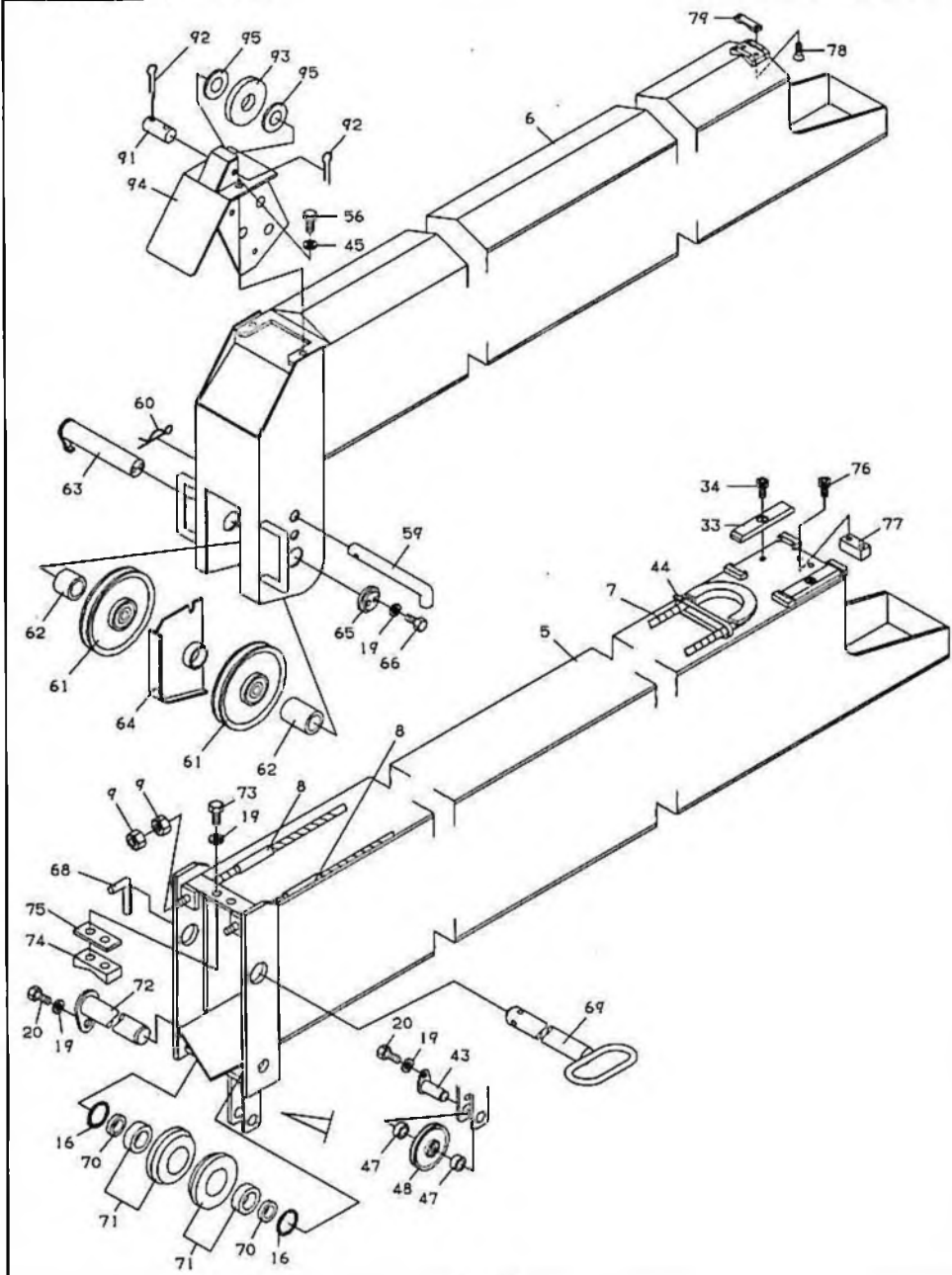
指示番号 Key No.	部品番号 Part No.	部品名称 Part Name	Qty Per Section 個数														実機号 (変更番号)	Serial No. (Modif. No.)	ページ Page	
			A	B	C	D	E	F	G	H	I	J	K	L	M	N				O
1	312-006-13010	BOOM,BASI.	-	-	-	1	-	-	-	-	-	-	-	-	-	-	-	-	-	-
2	312-006-12000	BOOM,SECOND	-	-	-	-	-	-	-	1	-	-	-	-	-	-	-	-	-	-
3	312-006-13000	BOOM,THIRD	-	-	-	-	-	-	-	-	1	-	-	-	-	-	-	-	-	-
4	312-006-14000	BOOM,FORTH	-	-	-	-	-	-	-	-	-	1	-	-	-	-	-	-	-	-
5	312-006-15000	BOOM, TOP	-	-	-	-	-	-	-	-	-	-	1	-	-	-	-	-	-	-
6	824-500-04000	NIPPLE, GREASE	-	-	-	-	-	-	-	-	-	-	-	-	2	-	-	-	-	-
6	824-501-04000	NIPPLE, GREASE	-	-	-	-	-	-	-	-	-	-	-	-	-	2	-	-	-	-
7	370-019-02530	ROPE,WIRE	-	-	-	-	-	-	-	-	-	-	-	-	-	-	-	-	-	-
8	370-019-03600	ROPE,WIRE	-	-	-	-	-	-	-	-	-	-	-	-	-	-	-	-	-	-
9	902-012-01000	NUT M10	-	-	-	-	-	-	-	-	-	-	-	-	-	4	-	-	-	-
10	370-004-00000	BEARING, PLAIN	-	-	-	-	-	-	-	-	-	-	-	-	-	-	-	-	-	-
11	370-003-05730	SPACER	-	-	-	-	-	-	-	-	-	-	-	-	-	-	-	-	-	-
12	806-011-10300	RING, RETAINING S30	-	-	-	-	-	-	-	-	-	-	-	-	-	-	-	-	-	-
13	370-001-33560	PIN	-	-	-	-	-	-	-	-	-	-	-	-	-	-	-	-	-	-
14	370-011-03390	ROLLER ASSY (ASSY ONLY)	-	-	-	-	-	-	-	-	-	-	-	-	-	-	-	-	-	-
15	370-001-26850	PIN	-	-	-	-	-	-	-	-	-	-	-	-	-	-	-	-	-	-
16	806-031-10220	RING, RETAINING	-	-	-	-	-	-	-	-	-	-	-	-	-	-	-	-	-	-
17	370-001-06320	PIN	-	-	-	-	-	-	-	-	-	-	-	-	-	-	-	-	-	-
18	806-021-10350	RING, RETAINING R35	-	-	-	-	-	-	-	-	-	-	-	-	-	-	-	-	-	-
19	903-020-41001	WASHER, SPRING 10	-	-	-	-	-	-	-	-	-	-	-	-	-	-	-	-	-	-
19	903-020-41001	WASHER, SPRING 10	-	-	-	-	-	-	-	-	-	-	-	-	-	-	-	-	-	-
20	901-012-10012	BOLT M10X12	-	-	-	-	-	-	-	-	-	-	-	-	-	-	-	-	-	-
20	901-012-10012	BOLT M10X12	-	-	-	-	-	-	-	-	-	-	-	-	-	-	-	-	-	-
21	801-363-80080	PIN, SPLIT 2X80	-	-	-	-	-	-	-	-	-	-	-	-	-	-	-	-	-	-
21	801-363-63080	PIN, SPLIT 6.3X80	-	-	-	-	-	-	-	-	-	-	-	-	-	-	-	-	-	-
22	312-005-83200	PIN	-	-	-	-	-	-	-	-	-	-	-	-	-	-	-	-	-	-
23	370-001-10850	PIN	-	-	-	-	-	-	-	-	-	-	-	-	-	-	-	-	-	-
24	806-021-10250	RING, RETAINING R25	-	-	-	-	-	-	-	-	-	-	-	-	-	-	-	-	-	-
25	370-001-34870	PIN	-	-	-	-	-	-	-	-	-	-	-	-	-	-	-	-	-	-
26	806-021-10300	RING, RETAINING R30	-	-	-	-	-	-	-	-	-	-	-	-	-	-	-	-	-	-
27	370-002-00840	PIN	-	-	-	-	-	-	-	-	-	-	-	-	-	-	-	-	-	-
28	806-011-10120	RING, RETAINING S12	-	-	-	-	-	-	-	-	-	-	-	-	-	-	-	-	-	-
29	370-011-01900	ROLLER	-	-	-	-	-	-	-	-	-	-	-	-	-	-	-	-	-	-
30	370-020-04090	PLATE, SLIDE	-	-	-	-	-	-	-	-	-	-	-	-	-	-	-	-	-	-
31	312-006-16100	PLATE	-	-	-	-	-	-	-	-	-	-	-	-	-	-	-	-	-	-

組立名称		70-4		800H		FIG. PG101-0120-03		
原簿番号	部品番号	部品名称	Qty Per Section				英番号	Page
Key No.	Part No.	Part Name	A	B	C	D	Serial No.	
			B	H	I	K	(英番号)	
32	370-020-03180	SCREW/MACHINE	1	-	-	-	-	040871
33	370-020-03180	PLATE, SLIDE	2	-	-	-	2048179	-
34	901-315-06008	BOLT, HEXAGON SOCKET	2	-	-	-	-	040075
35	370-005-28450	PLATE	2	-	-	-	2045307	-
36	901-012-10016	BOLT M10X16	1	-	-	-	-	-
37	312-005-83300	PLATE, SLIDE	1	-	-	-	-	-
38	312-005-83400	SHIM T=2.3	1	-	-	-	-	-
39	312-005-83500	SHIM T=1.6	1	-	-	-	-	-
40	312-005-83600	SHIM T=0.6	1	-	-	-	-	-
41	370-020-04050	PLATE, SLIDE	2	-	-	-	-	-
42	312-005-12200	RETAINER	2	-	-	-	-	-
43	370-001-02070	PIN	2	-	-	-	-	-
44	918-000-00005	FASTENER	1	-	-	-	-	040020
45	903-020-40801	WASHER, SPRING 8	1	-	-	-	-	2032831
46	901-017-08018	BOLT M8X18	1	-	-	-	-	-
47	370-003-00240	SPACER	2	-	-	-	-	-
48	370-010-04510	SHEAVE ASSY (ASSY ONLY)	2	-	-	-	-	-
49	370-016-01600	NUT	2	-	-	-	-	-
50	902-012-01200	NUT M12	2	-	-	-	-	-
51	370-020-04070	PLATE, SLIDE	2	-	-	-	-	-
52	370-020-04060	PLATE, SLIDE	2	-	-	-	-	-
53	370-010-04350	SHEAVE ASSY (ASSY ONLY)	2	-	-	-	-	-
54	370-001-34850	PIN	1	-	-	-	-	-
55	370-020-04080	PLATE, SLIDE	2	-	-	-	-	-
56	901-017-08016	BOLT M8X16	1	-	-	-	-	-
57	370-003-00940	SPACER	1	-	-	-	-	-
59	312-006-04300	PIN	1	-	-	-	-	040518
60	806-202-10100	PIN, SNAP	1	-	-	-	-	2045309
61	370-010-04350	SHEAVE ASSY (ASSY ONLY)	2	-	-	-	-	040518
62	370-003-02290	SPACER	2	-	-	-	-	2045309
63	312-006-16300	PIN	1	-	-	-	-	-
64	312-006-04500	SPACER	1	-	-	-	-	-
65	312-005-84000	COVER	1	-	-	-	-	-
66	901-912-10020	BOLT M10X20	2	-	-	-	-	-
67	903-030-71001	WASHER, PLAIN 10	4	-	-	-	-	040075
								2045307

組立名称		70-4		800H		FIG. PG101-0120-03		
原簿番号	部品番号	部品名称	Qty Per Section				英番号	Page
Key No.	Part No.	Part Name	A	B	C	D	Serial No.	
			B	H	I	K	(英番号)	
67	824-351-06000	NIPPLE, GREASE	1	-	-	-	-	040351
71	312-006-04700	A-HUB FE SUPPORT	1	-	-	-	-	2041863
72	370-011-02460	ROLLER	1	-	-	-	-	-
73	370-001-04920	PIN	1	-	-	-	-	-
74	801-363-32020	PIN, SPLIT 3.2X2.0	2	-	-	-	-	-
75	370-003-07020	SPACER	2	-	-	-	-	040796
81	824-500-04000	NIPPLE, GREASE	1	-	-	-	-	2047322
81	824-501-04000	NIPPLE, GREASE	1	-	-	-	-	040064
81	824-561-01000	NIPPLE, GREASE	1	-	-	-	-	040065
								2036211
								040318
								2036211
								2041329
								040319
								2041329

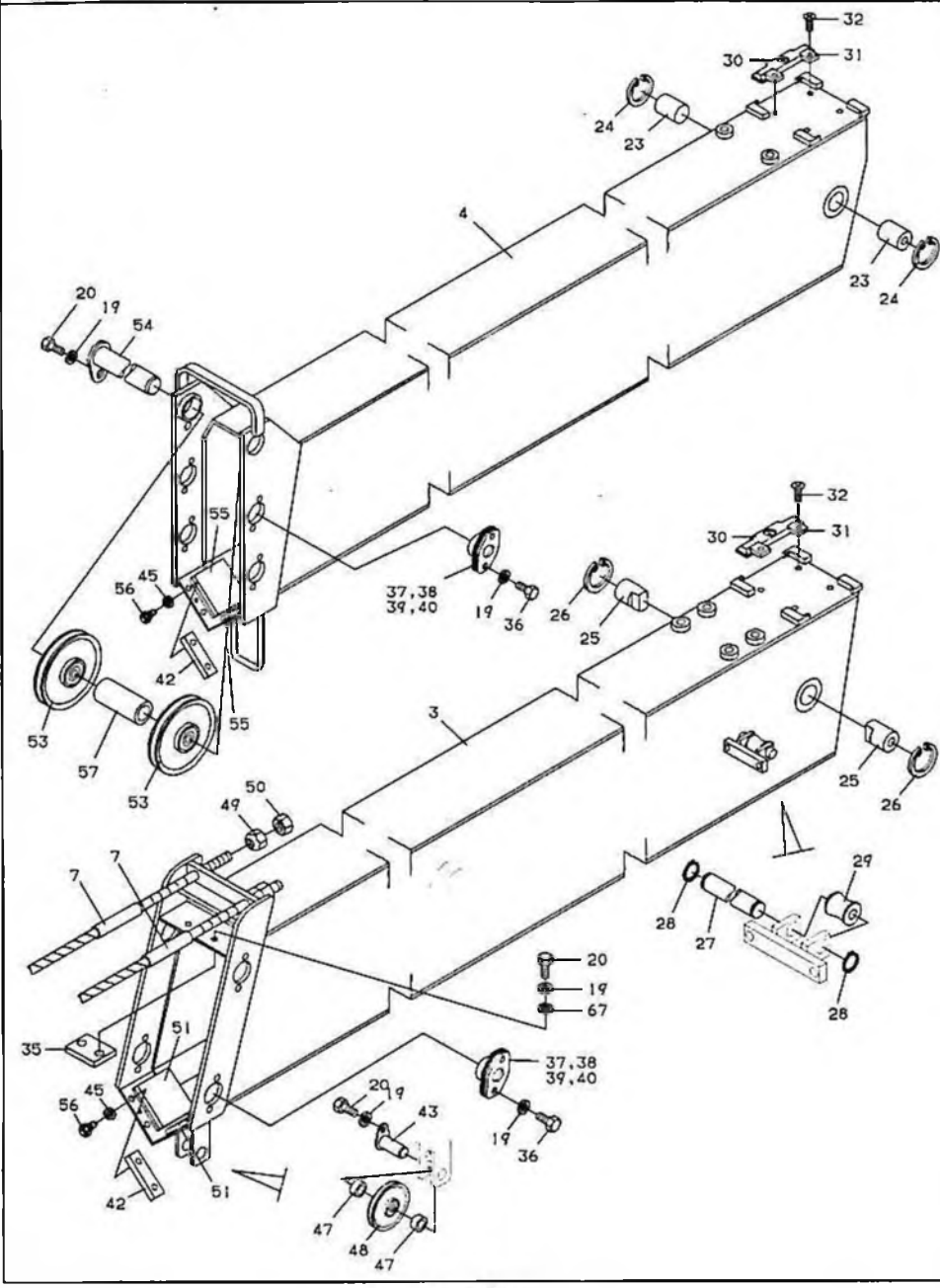
組立名称 7'-Δ
Assembly Name BOOM

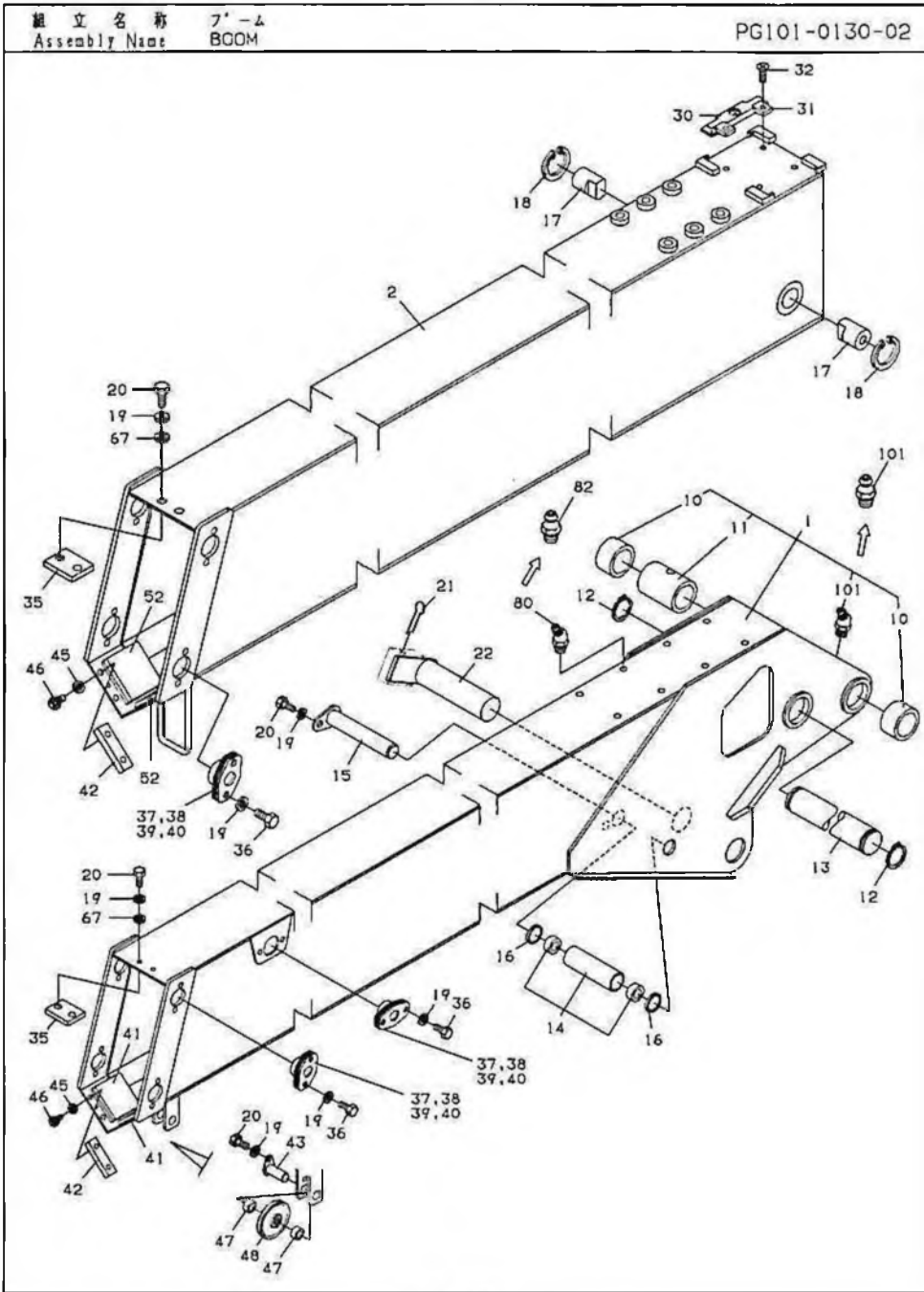
PG101-0130-02



組立名称 7'-Δ
Assembly Name BOOM

PG101-0130-02





組立名称 フーム
 Assembly Name BOOM

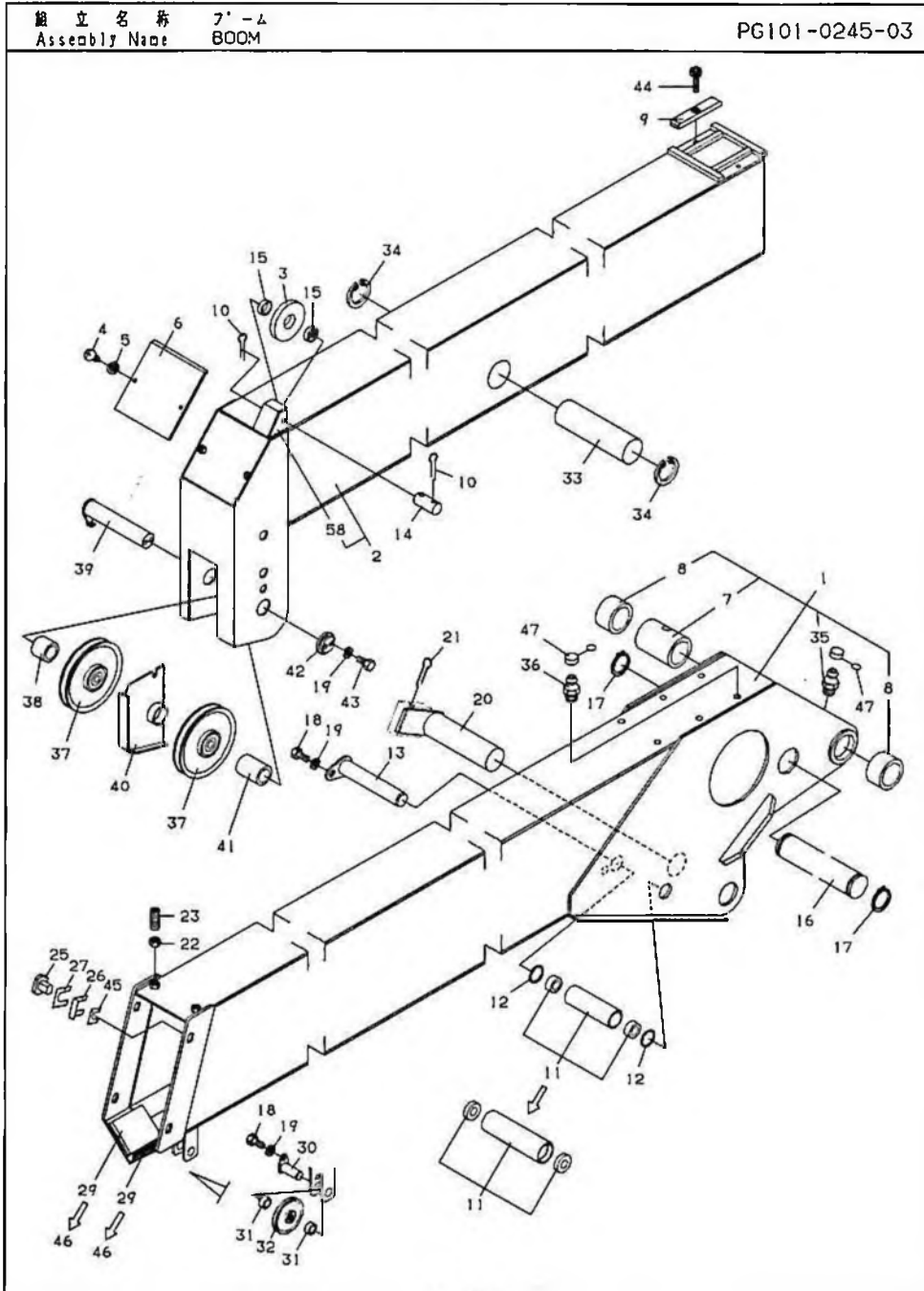
FIG. PG101-0130-02

仕様書 No. A < 310-120-20010 (2) > B < 310-120-20020 (3) > C < 310-120-20030 (4) >
 D < 310-120-20040 (5) > E < 310-120-20050 (6H) > F < 310-120-20110 (2 H) >
 G < 310-120-20120 (3 H) > H < 310-120-20130 (4 H) > I < 310-120-20140 (5 H) >
 J < 310-120-20150 (6H H) >

指示番号 Key No.	部品番号 Part No.	部品名称 Part Name	Qty Per Section 部数													実務号機 (変更番号)	Serial No. Modifi. No.	ページ Page	
			A	B	C	D	E	F	G	H	I	J	K	L	M				N
1	312-006-16010	BOOM,BASE																	
2	312-006-12000	BOOM,SECOND							1										
3	312-006-13000	BOOM,THIRD							1										
4	312-006-14000	BOOM,FORTH							1										
5	312-006-21000	BOOM,FIFTH							1										
6	312-006-22000	BOOM,TOP							1										
7	370-019-02530	ROPE,WIRE							1										
8	370-019-03600	ROPE,WIRE							1										
9	902-012-01000	NUT M10							4										
10	370-004-00000	BEARING,PLAIN							2										
11	370-003-05730	SPACER							1										
12	806-011-10300	RING,RETAINING S30							2										
13	370-001-35560	PIN							1										
14	370-011-03390	ROLLER ASSY (ASSY ONLY)							1										
15	370-001-26850	PIN							1										
16	806-031-10220	RING,RETAINING							5										
17	370-001-06320	PIN							2										
18	806-021-10350	RING,RETAINING R35							2										
19	903-020-41001	WASHER,SPRING 10							4										040071
19	903-020-41001	WASHER,SPRING 10							4										2045312
20	901-012-10012	BOLT M10X12							1										040071
20	901-012-10012	BOLT M10X12							5										2045312
21	801-363-80080	PIN,SPLIT 8X80							1										040966
21	801-363-63080	PIN,SPLIT 6.3X80							1										2049204
22	312-005-83200	PIN							1										2049208
23	370-001-10850	PIN							2										
24	806-021-10250	RING,RETAINING R25							2										
25	370-001-36870	PIN							2										
26	806-021-10300	RING,RETAINING R30							2										
27	370-002-00840	PIN							1										
28	806-011-10120	RING,RETAINING S12							2										
29	370-011-01900	ROLLER							1										
30	370-020-04090	PLATE,SLIDE							6										
31	312-006-16100	PLATE							2										040572
32	801-853-06012	SCREW,MACHINE							2										2048176
																			040372
																			2048176

組立名称 Assembly Name		Form ROOM		FIG. PG101-0130-02																																			
仕様書 Specification		番号 No.		A < 310-120-20010 (2) >			B < 310-120-20020 (3) >			C < 310-120-20030 (4) >			D < 310-120-20040 (5) >			E < 310-120-20050 (6H) >			F < 310-120-20110 (2 H) >			G < 310-120-20120 (3 H) >			H < 310-120-20130 (4 H) >			I < 310-120-20140 (5 H) >			J < 310-120-20150 (6H H) >								
指示番号 Key No.	部品番号 Part No.	部品名称 Part Name	Qty Per Section 個数													実施号機 Serial No. (変更番号 Modifi. No.)	ページ Page																						
			A	B	C	D	E	F	G	H	I	J	K	L	M			N	O																				
33	370-020-03180	PLATE,SLIDE				2																																	
34	901-315-06008	BOLT,HEXAGON SOCKET M6X8				2																																	
35	370-005-28450	PLATE				3																																	
36	901-012-10016	BOLT M10X16				30																																	
37	312-005-85300	PLATE,SLIDE				18																																	
38	312-005-83400	SHIM T=2.3				18																																	
39	312-005-83500	SHIM T=1.6				18																																	
40	312-005-83600	SHIM T=0.6				18																																	
41	370-020-04050	PLATE,SLIDE				2																																	
42	312-006-16200	RETAINER				8																																	
43	370-001-02070	PIN				3																																	
44	918-000-00005	FASTENER				1																																	
45	903-020-40801	WASHER,SPRING 8				8																																	
46	901-017-00018	BOLT M8X18				8																																	
47	370-003-00240	SPACER				6																																	
48	370-010-04510	SHEAVE ASSY (ASSY ONLY)				3																																	
49	370-016-01600	NUT				2																																	
50	902-012-01200	NUT M12				2																																	
51	370-020-04070	PLATE,SLIDE				2																																	
52	370-020-04060	PLATE,SLIDE				2																																	
53	370-010-04550	SHEAVE ASSY (ASSY ONLY)				2																																	
54	370-001-34850	PIN				1																																	
55	370-020-04080	PLATE,SLIDE				2																																	
56	901-017-08016	BOLT M8X16				10																																	
57	370-003-00940	SPACER				1																																	
59	312-006-04300	PIN				1																																	
60	806-202-10100	PIN,SNAP				1																																	
61	370-010-04350	SHEAVE ASSY (ASSY ONLY)				2																																	
62	124-410-57000	SPACER				2																																	
63	312-006-23100	PIN				1																																	
64	312-006-04500	SPACER				1																																	
65	312-005-84000	COVER				1																																	
66	901-912-10020	BOLT M10X20				2																																	
67	903-030-71001	WASHER,PLAIN 10				6																																	
68	116-213-08000	PIN				1																																	

組立名称 Assembly Name		Form ROOM		FIG. PG101-0130-02																																			
仕様書 Specification		番号 No.		A < 310-120-20010 (2) >			B < 310-120-20020 (3) >			C < 310-120-20030 (4) >			D < 310-120-20040 (5) >			E < 310-120-20050 (6H) >			F < 310-120-20110 (2 H) >			G < 310-120-20120 (3 H) >			H < 310-120-20130 (4 H) >			I < 310-120-20140 (5 H) >			J < 310-120-20150 (6H H) >								
指示番号 Key No.	部品番号 Part No.	部品名称 Part Name	Qty Per Section 個数													実施号機 Serial No. (変更番号 Modifi. No.)	ページ Page																						
			A	B	C	D	E	F	G	H	I	J	K	L	M			N	O																				
69	370-002-01140	PIN				1																																	
70	370-003-02510	SPACER				2																																	
71	370-011-03470	ROLLER ASSY (ASSY ONLY)				2																																	
72	370-001-35050	PIN				1																																	
73	901-012-10020	BOLT M10X20				2																																	
74	312-005-20700	STOPPER				1																																	
75	370-005-31500	PLATE				1																																	
76	901-315-08016	BOLT,HEXAGON SOCKET M8X16				2																																	
77	370-020-03340	PLATE,SLIDE				1																																	
78	801-753-04008	SCREW,NACINE M4XR				2																																	
79	370-020-03330	PLATE,SLIDE				1																																	
80	824-500-04000	NIPPLE,GREASE				8																																	
80	824-501-04000	NIPPLE,GREASE				8																																	
82	824-551-06000	NIPPLE,GREASE A-M6 FE				8																																	
91	370-001-04920	PIN				1																																	
92	801-363-32020	PIN,SPLTT 3.2X20				2																																	
93	370-011-02460	ROLLER				1																																	
94	312-006-23300	COVER				1																																	
95	370-003-07020	SPACER				2																																	
101	824-500-04000	NIPPLE,GREASE				1																																	
101	824-501-04000	NIPPLE,GREASE				1																																	
101	824-561-01000	NIPPLE,GREASE A-PT1/8				1																																	



組立名称 フーム
 Assembly Name BOOM FIG. PG101-0245-03

仕様書 No. A < 310-120-20010 (2) > B < 310-120-20020 (3) > C < 310-120-20030 (4) >
 D < 310-120-20040 (5) > E < 310-120-20050 (6H) > F < 310-120-20110 (2 H) >
 G < 310-120-20120 (3 H) > H < 310-120-20130 (4 H) > I < 310-120-20140 (5 H) >
 J < 310-120-20150 (6H H) >

指示番号 Key No.	部品番号 Part No.	部品名称 Part Name	Qty Per Section 個数													実務号 (変更番号)	Serial No. Modif. No.	ページ Page	
			A	B	C	D	E	F	G	H	I	J	K	L	M				N
1	312-005-89510	BOOM, BASE																	
2	312-005-82001	BOOM, TOP	1																
3	370-011-02460	ROLLER	1																
4	801-823-06010	SCREW, MACHINE M6X10	2																
5	903-020-40601	WASHER, SPRING M6	2																
6	312-005-83100	COVER	1																
7	370-003-05730	SPACER	1																
8	370-004-00000	BEARING, PLAIN	2																
9	370-020-04940	PLATE, SLIDE	2																
10	801-363-32020	PIN, SPLIT 3.2X20	2																
11	370-011-03390	ROLLER ASSY (ASSY ONLY)	1														(- 043041 - 2065297)	
11	370-011-06920	ROLLER ASSY (ASSY ONLY)	1														(043042 - 2065297)	
12	806-031-10220	RING, RETAINING	2														(- 043041 - 2065297)	
13	370-001-26850	PIN	1																
14	370-001-04920	PIN	1																
15	370-003-07020	SPACER	2																
16	370-001-33560	PIN	1																
17	806-011-10300	RING, RETAINING S30	2																
18	901-012-10012	BOLT M10X12	2																
19	903-020-41001	WASHER, SPRING 10	4																
20	312-005-83200	PIN	1																
21	801-363-63080	PIN, SPLIT 6.3X80	1																
22	902-012-01000	NUT M10	1																
23	907-100-10350	SCREW, SET M10X35	1														(- 045118 - 2092423)	
23	907-107-10350	SCREW, SET M10X35	1														(045119 - 2082423)	
25	312-008-94100	PLATE, SLIDE	4																
26	312-007-13300	SHIM I=1.0	4														(- 045773 - 2085392)	
26	312-015-80100	SHIM	4														(045774 - 2085392)	
27	312-007-13400	SHIM T=0.6	8														(- 042947 - 2067455)	
27	312-007-13600	SHIM T=0.6	2														(042948 - 2067455)	
29	370-020-03940	PLATE, SLIDE	2														(- 042882 - 2066793)	
29	370-020-04050	PLATE, SLIDE	2														(042883 - 043770 - 2066793)	
30	370-001-02070	PIN	1																
31	370-003-00240	SPACER	2																
32	370-010-04510	SHEAVE ASSY (ASSY ONLY)	1																

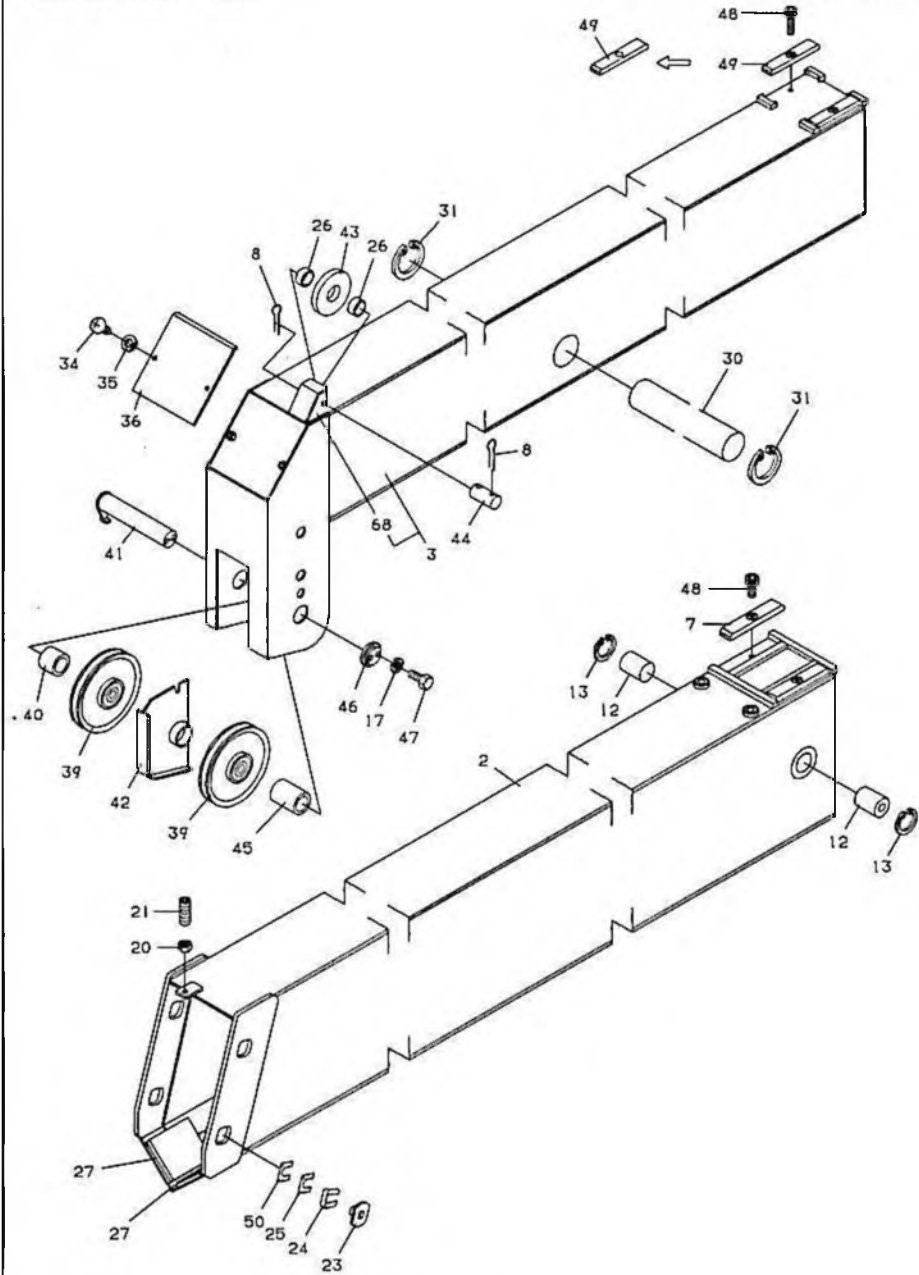
組立名称 Assembly Name		フォーム FORM	FIG. PG101-0245-03																					
スペック 書号 Specification No.		A < 310-120-20010 (2) > B < 310-120-20020 (3) > C < 310-120-20030 (4) > D < 310-120-20040 (5) > E < 310-120-20050 (6H) > F < 310-120-20110 (2 H) > G < 310-120-20120 (3 H) > H < 310-120-20130 (4 H) > I < 310-120-20140 (5 H) > J < 310-120-20150 (6H H) >																						
指示番号 Key No.	部品番号 Part No.	部品名称 Part Name	Qty Per Section 個数																実号 Serial No. (変更番号 Modifi. No.)	ページ Page				
			A	B	C	D	E	F	G	H	I	J	K	L	M	N	O							
33	370-001-33570	PIN	1																					
34	806-021-10300	RING,RETAINING R30	2																					
35	824-561-01000	NIPPLE,GREASE A-P11/8	1																					
36	824-551-06000	NIPPLE,GREASE A-M6F FE	2																					
37	370-010-04350	SHEAVE ASSY (ASSY ONLY)	2																					
38	370-003-02290	SPACER	1																					
39	312-005-83800	PIN	1																					
40	312-005-83900	SPACER	1																					
41	370-003-05560	SPACER	1																					
42	312-005-84000	COVER	1																					
43	901-912-10020	BOLT M10X20	2																					
44	901-315-06003	BOLT,HEXAGON SOCKET M6X8	2																					
45	322-003-53500	SHIM T=1.2	3															042948	-					
46	370-020-06610	PLATE,SLIDE	2															(2067455	-)				
47	824-000-00459	CAP	3															043771	-					
48	312-007-12040	SUPPORT	1															(2068492	-)				
																		043971	-					
																		(2075866	-)				

MEMO

Blank lined area for memorandum.

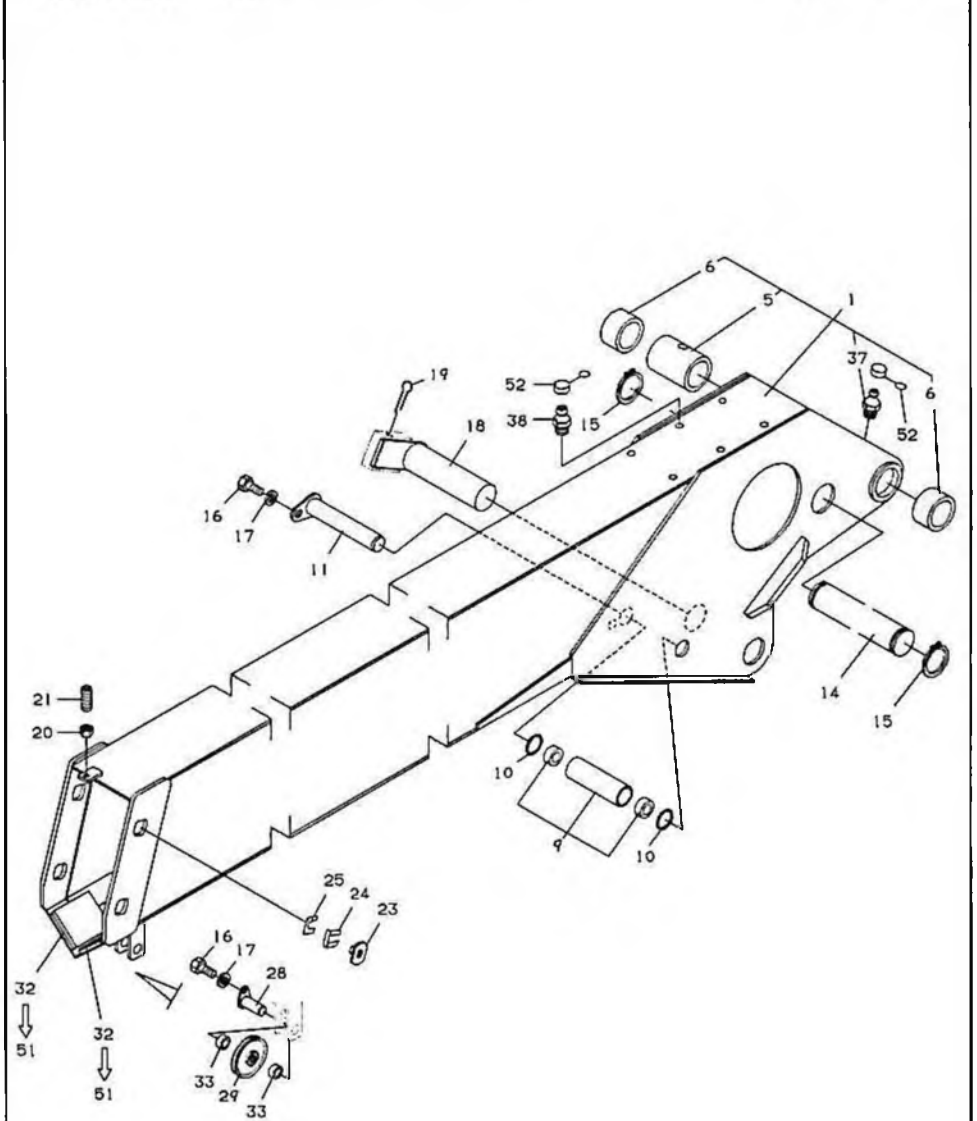
組立名称 フーム
Assembly Name BOOM

PG101-0286-03



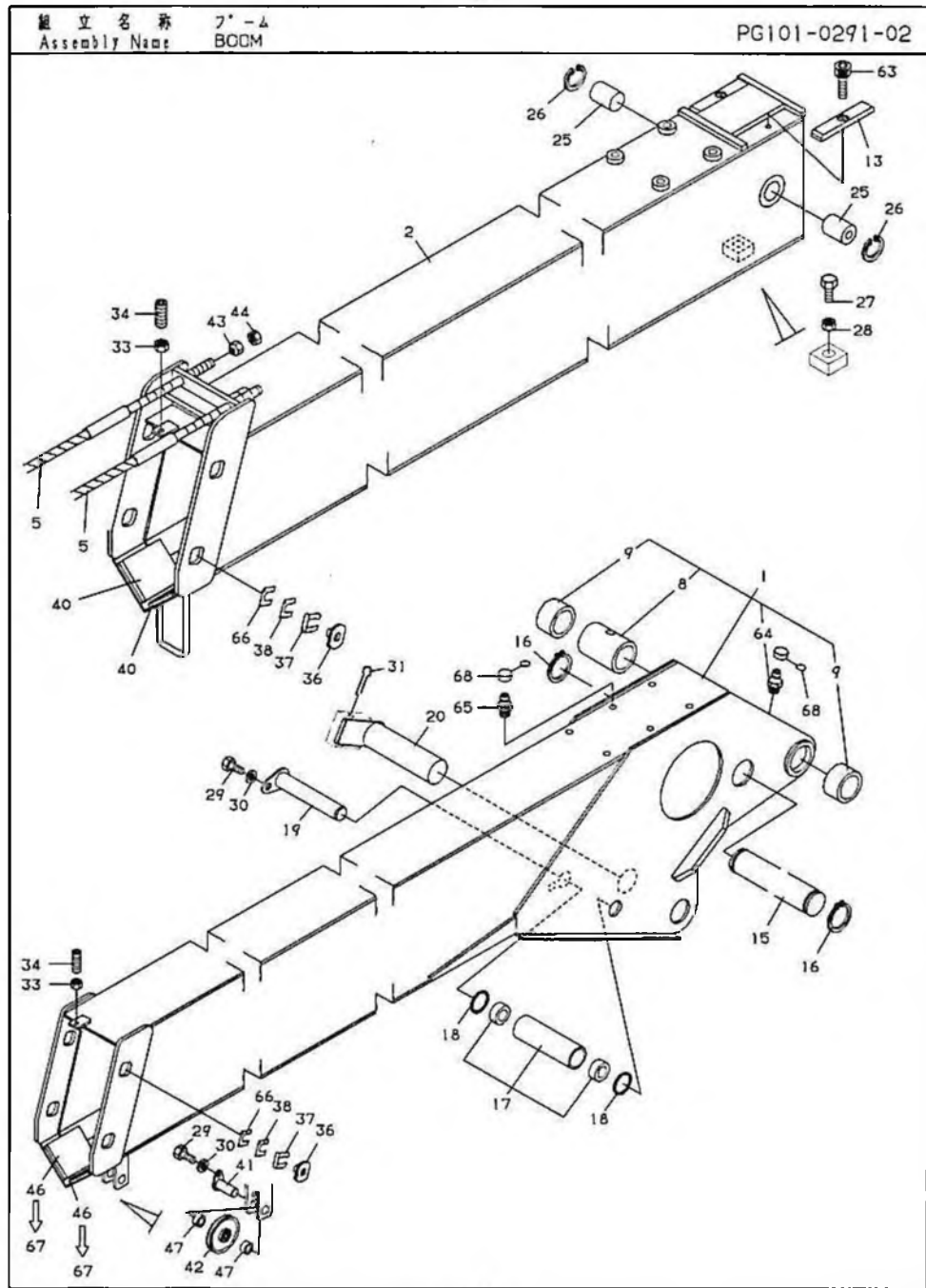
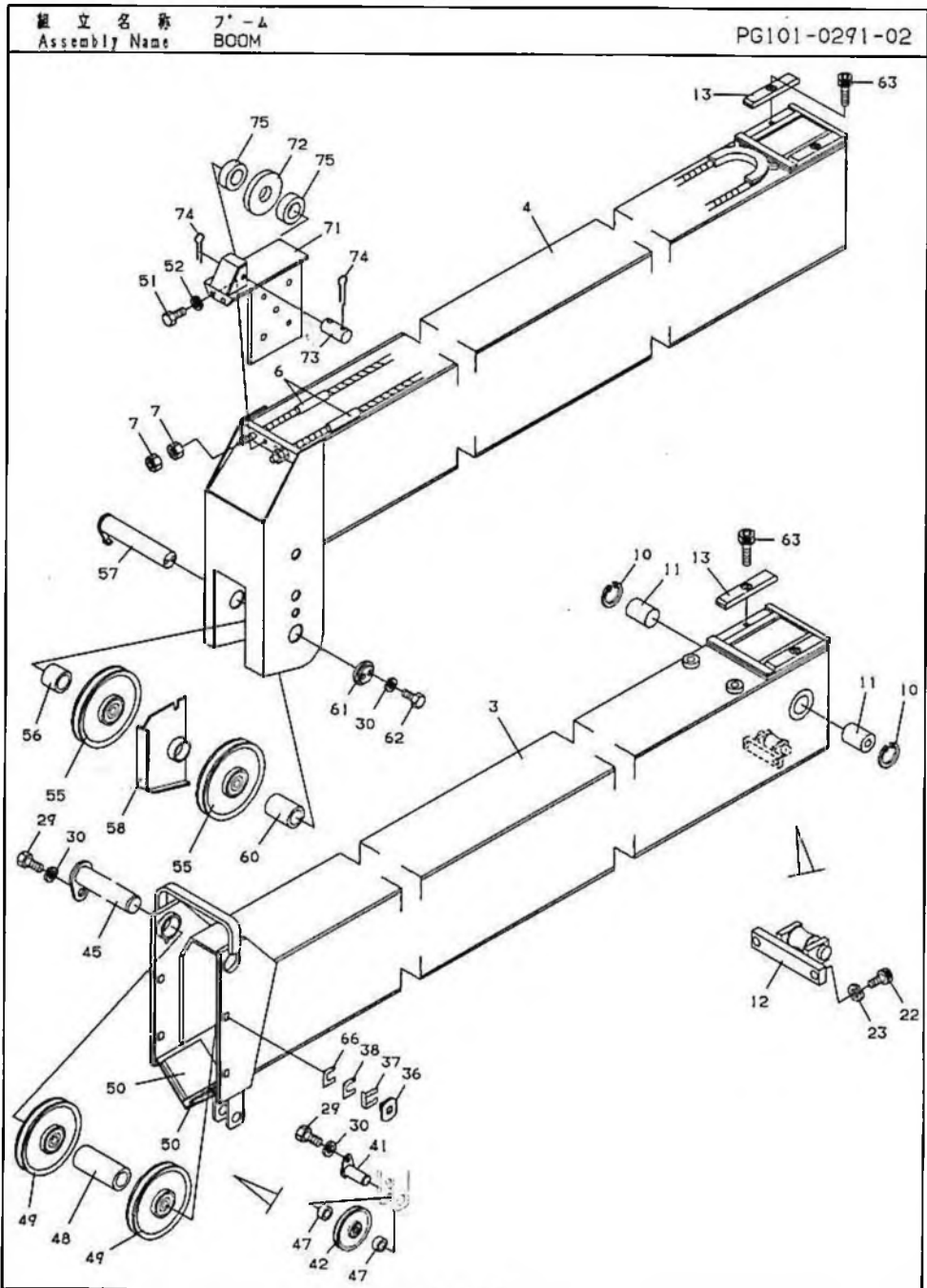
組立名称 フーム
Assembly Name BOOM

PG101-0286-03



組立名称 Assembly Name		形式 Form		FIG. PG101-02R6-03																	
仕様書番 Specification No.		A < 310-120-20010 (2) > B < 310-120-20020 (3) > C < 310-120-20030 (4) > D < 310-120-20040 (5) > E < 310-120-20050 (6H) > F < 310-120-20110 (2 H) > G < 310-120-20120 (3 H) > H < 310-120-20130 (4 H) > I < 310-120-20140 (5 H) > J < 310-120-20150 (6H H) >																			
指示番号 Key No.	部品番号 Part No.	部品名称 Part Name	Q'ty Per Section 個数													実務号 (変更番号)	Serial No. (Modif. No.)	ページ Page			
			A	B	C	D	E	F	G	H	I	J	K	L	M				N	O	
1	312-005-89510	BOON, BASE	1	-	-	-	-	-	-	-	-	-	-	-	-	-	-	-	-		
2	312-005-91001	BOON, SECOND	1	-	-	-	-	-	-	-	-	-	-	-	-	-	-	-	-		
3	312-005-92000	BOON, TOP	1	-	-	-	-	-	-	-	-	-	-	-	-	-	-	-	-		
5	370-003-05730	SPACER	1	-	-	-	-	-	-	-	-	-	-	-	-	-	-	-	-		
6	370-004-00000	BEARING, PLAIN	2	-	-	-	-	-	-	-	-	-	-	-	-	-	-	-	-		
7	370-020-04940	PLATE, SLIDE	4	-	-	-	-	-	-	-	-	-	-	-	-	-	-	-	-		
7	370-020-04940	PLATE, SLIDE	2	-	-	-	-	-	-	-	-	-	-	-	-	-	-	-	-	-	041593 (2056815)
8	801-363-32020	PIN, SPLIT 3.2X20	2	-	-	-	-	-	-	-	-	-	-	-	-	-	-	-	-		
9	370-011-03390	ROLLER ASSY (ASSY ONLY)	1	-	-	-	-	-	-	-	-	-	-	-	-	-	-	-	-	-	043041 (2065298)
9	370-011-06920	ROLLER ASSY (ASSY ONLY)	1	-	-	-	-	-	-	-	-	-	-	-	-	-	-	-	-	-	043042 (2065298)
10	806-031-10220	RING, RETAINING	2	-	-	-	-	-	-	-	-	-	-	-	-	-	-	-	-	-	043041 (2065298)
11	370-001-26850	PIN	1	-	-	-	-	-	-	-	-	-	-	-	-	-	-	-	-		
12	370-001-36150	PIN	2	-	-	-	-	-	-	-	-	-	-	-	-	-	-	-	-		
13	806-021-10300	RING, RETAINING R30	2	-	-	-	-	-	-	-	-	-	-	-	-	-	-	-	-		
14	370-001-33560	PIN	1	-	-	-	-	-	-	-	-	-	-	-	-	-	-	-	-		
15	806-011-10500	RING, RETAINING S30	2	-	-	-	-	-	-	-	-	-	-	-	-	-	-	-	-		
16	901-012-10012	BOLT M10X12	2	-	-	-	-	-	-	-	-	-	-	-	-	-	-	-	-		
17	905-020-41001	WASHER, SPRING 10	4	-	-	-	-	-	-	-	-	-	-	-	-	-	-	-	-		
18	312-005-83200	PIN	1	-	-	-	-	-	-	-	-	-	-	-	-	-	-	-	-		
19	801-363-63080	PIN, SPLIT 6.3X80	1	-	-	-	-	-	-	-	-	-	-	-	-	-	-	-	-		
20	902-012-01000	NUT M10	2	-	-	-	-	-	-	-	-	-	-	-	-	-	-	-	-		
21	907-100-10350	SCREW, SET M10X35	2	-	-	-	-	-	-	-	-	-	-	-	-	-	-	-	-	-	045118 (2082424)
21	907-107-10350	SCREW, SET M10X35	2	-	-	-	-	-	-	-	-	-	-	-	-	-	-	-	-	-	045119 (2082424)
23	312-008-94100	PLATE, SLIDE	8	-	-	-	-	-	-	-	-	-	-	-	-	-	-	-	-		
24	312-007-13300	SHIM T=1.0	8	-	-	-	-	-	-	-	-	-	-	-	-	-	-	-	-	-	045773 (2085410)
24	312-015-80100	SHIM	8	-	-	-	-	-	-	-	-	-	-	-	-	-	-	-	-	-	045774 (2085410)
25	312-007-13400	SHIM T=0.6	16	-	-	-	-	-	-	-	-	-	-	-	-	-	-	-	-	-	042947 (2067456)
25	312-007-13400	SHIM T=0.6	4	-	-	-	-	-	-	-	-	-	-	-	-	-	-	-	-	-	042948 (2067456)
26	370-003-07020	SPACER	2	-	-	-	-	-	-	-	-	-	-	-	-	-	-	-	-		
27	370-020-03970	PLATE, SLIDE	2	-	-	-	-	-	-	-	-	-	-	-	-	-	-	-	-	-	042882 (2066855)
27	370-020-04950	PLATE, SLIDE	2	-	-	-	-	-	-	-	-	-	-	-	-	-	-	-	-	-	042883 (2066855)
28	370-001-02070	PIN	1	-	-	-	-	-	-	-	-	-	-	-	-	-	-	-	-		
29	370-010-04510	SHEAVE ASSY (ASSY ONLY)	1	-	-	-	-	-	-	-	-	-	-	-	-	-	-	-	-		
30	370-001-36140	PIN	1	-	-	-	-	-	-	-	-	-	-	-	-	-	-	-	-		
31	806-021-10250	RING, RETAINING R25	2	-	-	-	-	-	-	-	-	-	-	-	-	-	-	-	-		

組立名称 Assembly Name		形式 Form		FIG. PG101-02R6-03																	
仕様書番 Specification No.		A < 310-120-20010 (2) > B < 310-120-20020 (3) > C < 310-120-20030 (4) > D < 310-120-20040 (5) > E < 310-120-20050 (6H) > F < 310-120-20110 (2 H) > G < 310-120-20120 (3 H) > H < 310-120-20130 (4 H) > I < 310-120-20140 (5 H) > J < 310-120-20150 (6H H) >																			
指示番号 Key No.	部品番号 Part No.	部品名称 Part Name	Q'ty Per Section 個数													実務号 (変更番号)	Serial No. (Modif. No.)	ページ Page			
			A	B	C	D	E	F	G	H	I	J	K	L	M				N	O	
32	370-020-03940	PLATE, SLIDE	2	-	-	-	-	-	-	-	-	-	-	-	-	-	-	-	-	-	042882 042883 - 043770 (2066855 - 2068491)
32	370-020-04050	PLATE, SLIDE	2	-	-	-	-	-	-	-	-	-	-	-	-	-	-	-	-	-	
33	370-003-00240	SPACER	2	-	-	-	-	-	-	-	-	-	-	-	-	-	-	-	-		
34	801-823-06010	SCREW, MACHINE M6X10	2	-	-	-	-	-	-	-	-	-	-	-	-	-	-	-	-		
35	905-020-40601	WASHER, SPRING M6	2	-	-	-	-	-	-	-	-	-	-	-	-	-	-	-	-		
36	312-005-93100	COVER	1	-	-	-	-	-	-	-	-	-	-	-	-	-	-	-	-		
37	824-561-01000	NIPPLE, GREASE A-P11/8	1	-	-	-	-	-	-	-	-	-	-	-	-	-	-	-	-		
38	824-551-06000	NIPPLE, GREASE A-M6 F E	1	-	-	-	-	-	-	-	-	-	-	-	-	-	-	-	-		
39	370-010-04350	SHEAVE ASSY (ASSY ONLY)	2	-	-	-	-	-	-	-	-	-	-	-	-	-	-	-	-		
40	124-610-57000	SPACER	1	-	-	-	-	-	-	-	-	-	-	-	-	-	-	-	-		
41	312-005-93200	PIN	1	-	-	-	-	-	-	-	-	-	-	-	-	-	-	-	-		
42	312-005-83900	SPACER	1	-	-	-	-	-	-	-	-	-	-	-	-	-	-	-	-		
43	370-011-02460	ROLLER	1	-	-	-	-	-	-	-	-	-	-	-	-	-	-	-	-		
44	370-001-04920	PIN	1	-	-	-	-	-	-	-	-	-	-	-	-	-	-	-	-		
45	370-003-05620	SPACER	1	-	-	-	-	-	-	-	-	-	-	-	-	-	-	-	-		
46	312-005-86000	COVER	1	-	-	-	-	-	-	-	-	-	-	-	-	-	-	-	-		
47	901-912-10020	BOLT M10X20	2	-	-	-	-	-	-	-	-	-	-	-	-	-	-	-	-		
48	901-315-06008	BOLT, HEXAGON SOCKET M6X8	1	-	-	-	-	-	-	-	-	-	-	-	-	-	-	-	-		
49	370-020-04130	PLATE, SLIDE	2	-	-	-	-	-	-	-	-	-	-	-	-	-	-	-	-	-	041593 - 043770 (2056815 - 2068491) 043771 -)
49	370-020-06640	PLATE, SLIDE	2	-	-	-	-	-	-	-	-	-	-	-	-	-	-	-	-	-	042948 (2067456 -)
50	322-003-53500	SHIM T=1.2	2	-	-	-	-	-	-	-	-	-	-	-	-	-	-	-	-	-	042948 (2067456 -)
51	370-020-06610	PLATE, SLIDE	2	-	-	-	-	-	-	-	-	-	-	-	-	-	-	-	-	-	043771 -) (2068491 -) 045971 -) (2075865 -)
52	824-000-00459	CAP	3	-	-	-	-	-	-	-	-	-	-	-	-	-	-	-	-		
63	312-007-12040	SUPPORT	1	-	-	-	-	-	-	-	-	-	-	-	-	-	-	-	-		

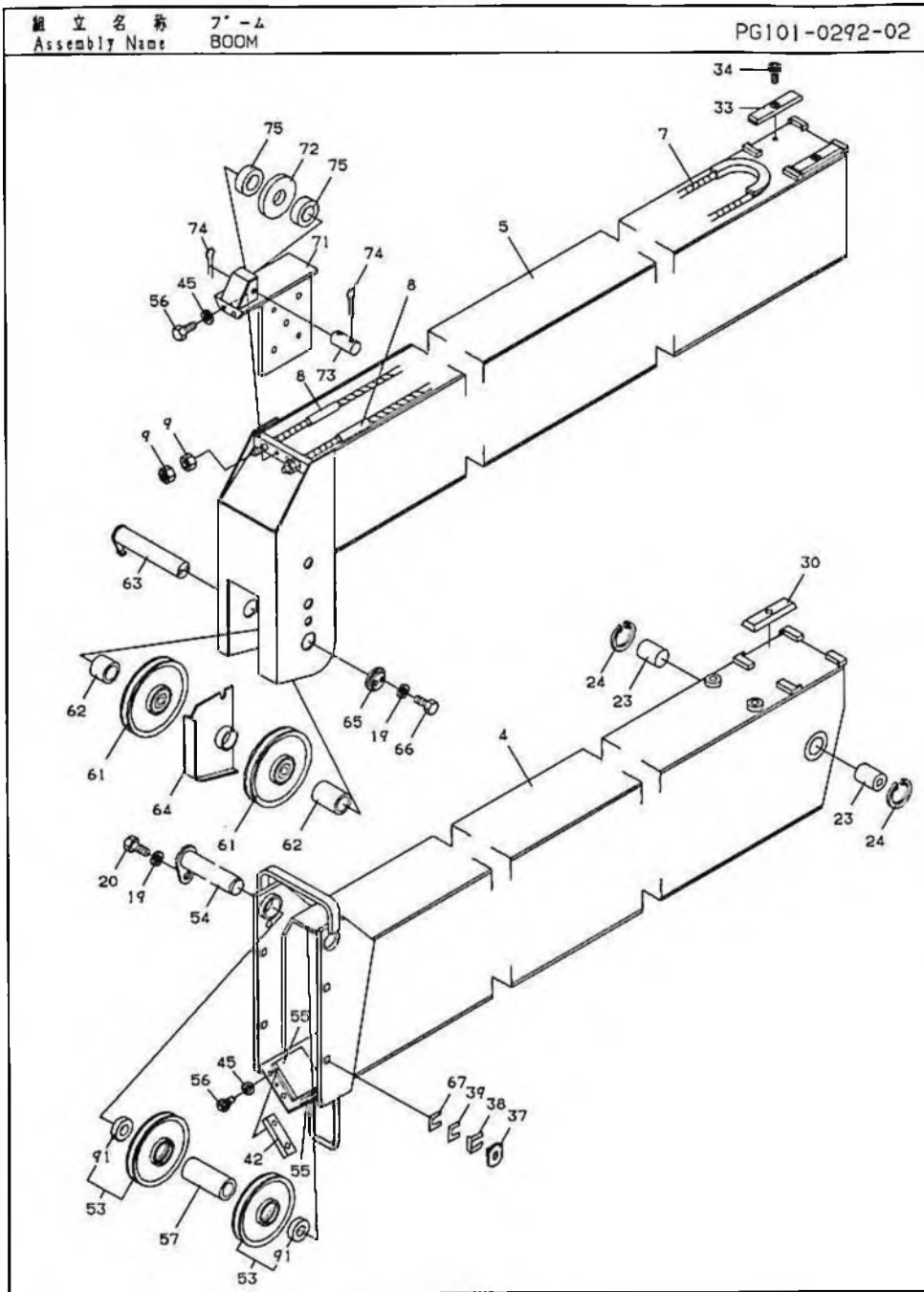


組立名称 Assembly Name		フーム BOOH		FIG. PG101-0291-02																
スペック 番 号 Specification No.		A < 310-120-20010 (2) > B < 310-120-20020 (3) > C < 310-120-20030 (4) > D < 310-120-20040 (5) > E < 310-120-20050 (6H) > F < 310-120-20110 (2 H) > G < 310-120-20120 (3 H) > H < 310-120-20130 (4 H) > I < 310-120-20140 (5 H) > J < 310-120-20150 (6H H) >																		
指示番号 Key No.	部品番号 Part No.	部品名称 Part Name	Qty Per Section 個数																実装号機 (変更番号) Serial No. Modifi. No.	ページ Page
			A	B	C	D	E	F	G	H	I	J	K	L	M	N	O			
1	312-005-89510	BOOH,BASE	1																	
2	312-006-01001	BOOH,SECOND	1																	
3	312-006-02001	BOOH,THIRD	1																	
4	312-006-03000	BOOH,TOP	1																	
5	370-019-00610	ROPE,WIRE	1																	
6	370-019-03570	ROPE,WIRE	1																	
7	902-022-01200	NUT	4																	
8	370-003-05730	SPACER	1																	
9	370-004-00000	BEARING,PLAIN	2																	
10	806-021-10350	RING,RETAINING R35	2																	
11	370-001-09640	PIN	2																	
12	312-006-04100	SUPPORT (WITH ROLLER)	1																	
13	370-020-04940	PLATE,SLIDE	6																	
15	370-001-33560	PIN	1																	
16	806-011-10300	RING,RETAINING S30	2																	
17	370-011-03390	ROLLER ASSY (ASSY ONLY)	1														- 043041 - 2065299			
17	370-011-06920	ROLLER ASSY (ASSY ONLY)	1														- 043042 - 2065299			
18	806-031-10220	RING,RETAINING	2														- 043041 - 2065299			
19	370-001-26850	PIN	1																	
20	312-005-83200	PIN	1																	
22	901-319-10020	BOLT,HEXAGON SOCKET M10X20	2																	
23	903-024-01001	WASHER,SPRING 10	2																	
25	370-001-34150	PIN	2																	
26	806-021-10300	RING,RETAINING R30	2																	
27	901-012-12030	BOLT M12X30	1																	
28	902-032-01200	NUT M12	1																	
29	901-012-10012	BOLT M10X12	4																	
30	903-020-41001	WASHER,SPRING 10	6																	
31	801-365-63080	PIN,SPLIT 6.5X80	1																	
33	902-012-01000	NUT M10	2																	
34	907-100-10350	SCREW,SET M10X35	2														- 045118 - 2082425			
34	907-107-10350	SCREW,SET M10X35	2														- 045119 - 2082425			
36	312-008-94100	PLATE,SLIDE	12																	
37	312-007-15300	SHIM T=1.0	12														- 045773 - 2085402			
37	312-015-80100	SHIM	12														- 045774 - 2085402			

組立名称 Assembly Name		フーム BOOH		FIG. PG101-0291-02																
スペック 番 号 Specification No.		A < 310-120-20010 (2) > B < 310-120-20020 (3) > C < 310-120-20030 (4) > D < 310-120-20040 (5) > E < 310-120-20050 (6H) > F < 310-120-20110 (2 H) > G < 310-120-20120 (3 H) > H < 310-120-20130 (4 H) > I < 310-120-20140 (5 H) > J < 310-120-20150 (6H H) >																		
指示番号 Key No.	部品番号 Part No.	部品名称 Part Name	Qty Per Section 個数																実装号機 (変更番号) Serial No. Modifi. No.	ページ Page
			A	B	C	D	E	F	G	H	I	J	K	L	M	N	O			
38	312-007-13400	SHIM T=0.6	24														- 042947 - 2067458			
38	312-007-13400	SHIM T=0.6	6														- 042948 (2067458 -)			
40	370-020-03970	PLATE,SLIDE	2														- 042882 (2066854 -)			
40	370-020-04950	PLATE,SLIDE	2														- 042883 (2066854 -)			
41	370-001-02070	PIN	2																	
42	370-010-04510	SHEAVE ASSY (ASSY ONLY)	2																	
43	370-016-01560	NUT	2																	
44	902-022-01400	NUT M14	2																	
45	370-001-34790	PIN	1																	
46	370-020-03940	PLATE,SLIDE	2														- 042882 - 2066854			
46	370-020-04050	PLATE,SLIDE	2														- 042883 (2066854 - 2068490)			
47	370-003-00240	SPACER	4																	
48	370-003-01480	SPACER	1														- 045545 - 2083189			
48	370-003-07510	SPACER	1														- 045346 (2083189 -)			
49	370-010-04490	SHEAVE ASSY (ASSY ONLY)	2																	
50	370-020-04020	PLATE,SLIDE	2														- 043770 - 2068490			
50	370-020-04930	PLATE,SLIDE	2														- 043771 (2068490 -)			
51	901-012-08016	BOLT M8X16	2																	
52	903-020-40801	WASHER,SPRING 8	2																	
55	370-010-04350	SHEAVE ASSY (ASSY ONLY)	2																	
56	126-410-57000	SPACER	1																	
57	312-006-04400	PIN	1																	
58	312-006-04500	SPACER	1																	
60	126-411-04000	SPACER	1																	
61	312-005-44000	COVER	1																	
62	901-912-10020	BOLT M10X20	2																	
63	901-315-06008	BOLT,HEXAGON SOCKET M6X8	6																	
64	824-561-01000	NIPPLE,GREASE A-P1J/B	1																	
65	824-551-06000	NIPPLE,GREASE A-M6F/FE	6																	
66	322-003-53500	SHIM T=1.2	9														- 042948 (2067458 -)			
67	370-020-04610	PLATE,SLIDE	2														- 043771 (2068490 -)			
68	824-000-00459	CAP	7														- 043971 (2075868 -)			
71	312-006-04700	SUPPORT	1																	
72	370-011-02460	ROLLER	1																	
73	370-001-04920	PIN	1																	

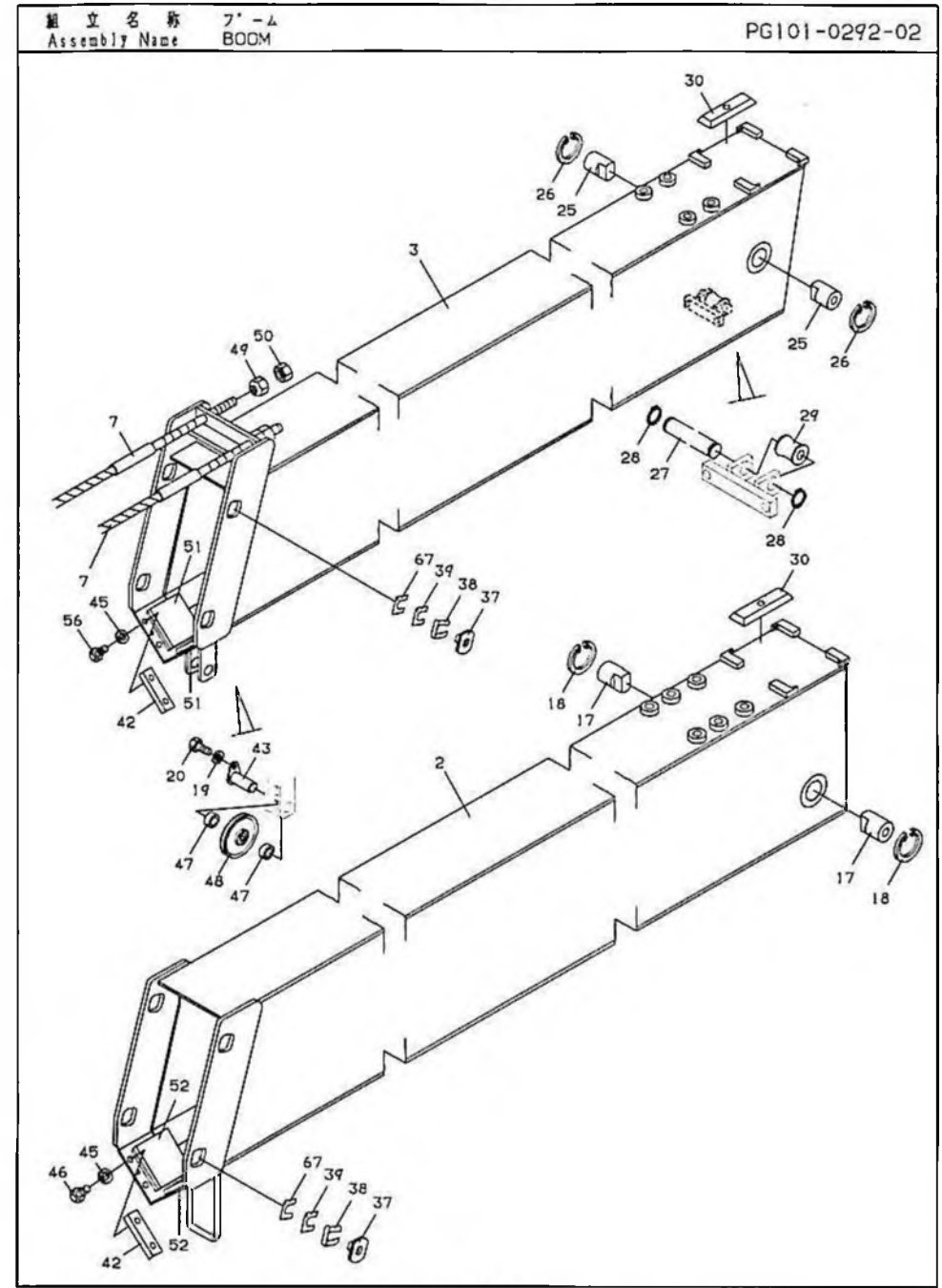
組立名称 7'-L
Assembly Name BOOM

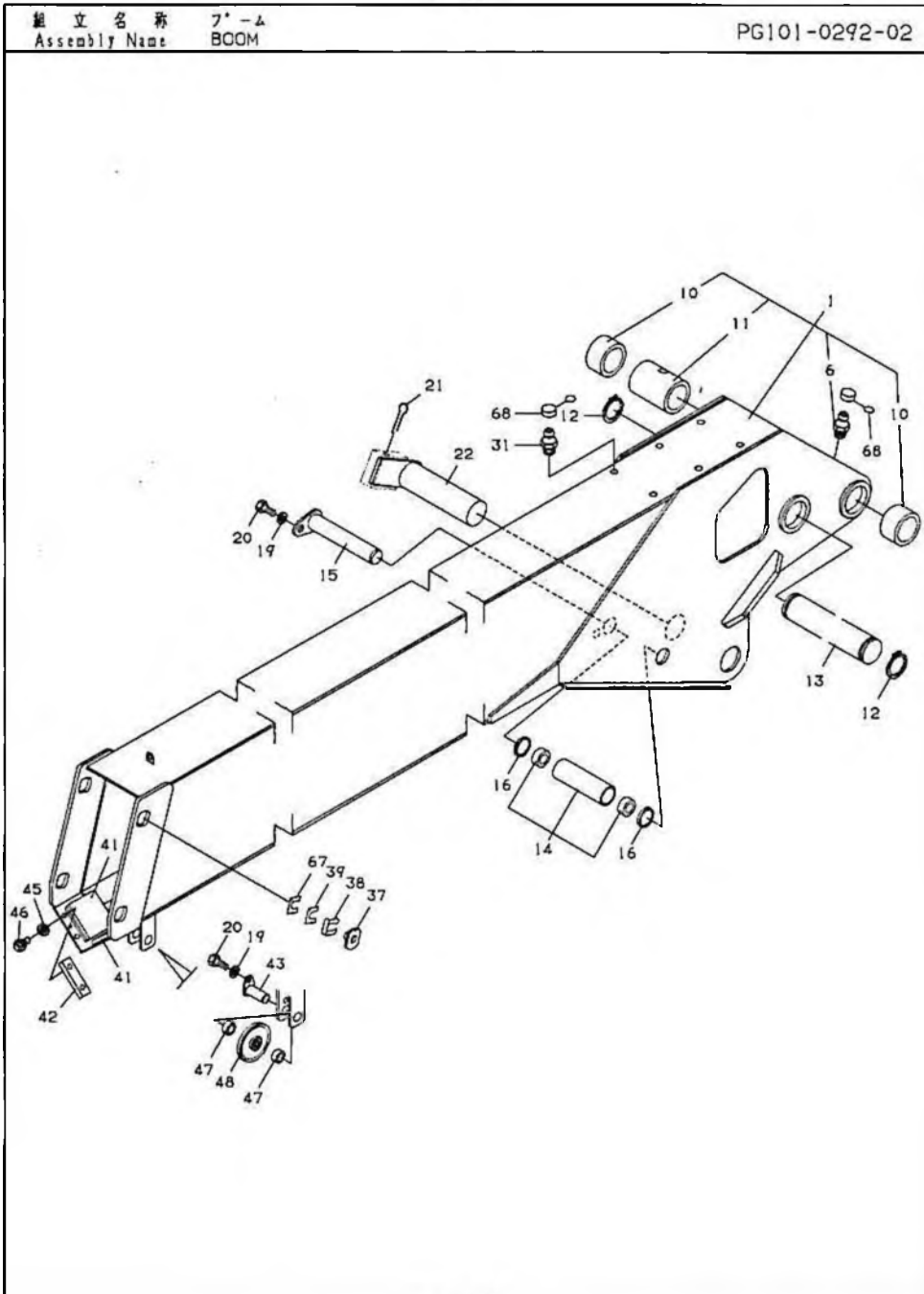
PG101-0292-02



組立名称 7'-L
Assembly Name BOOM

PG101-0292-02

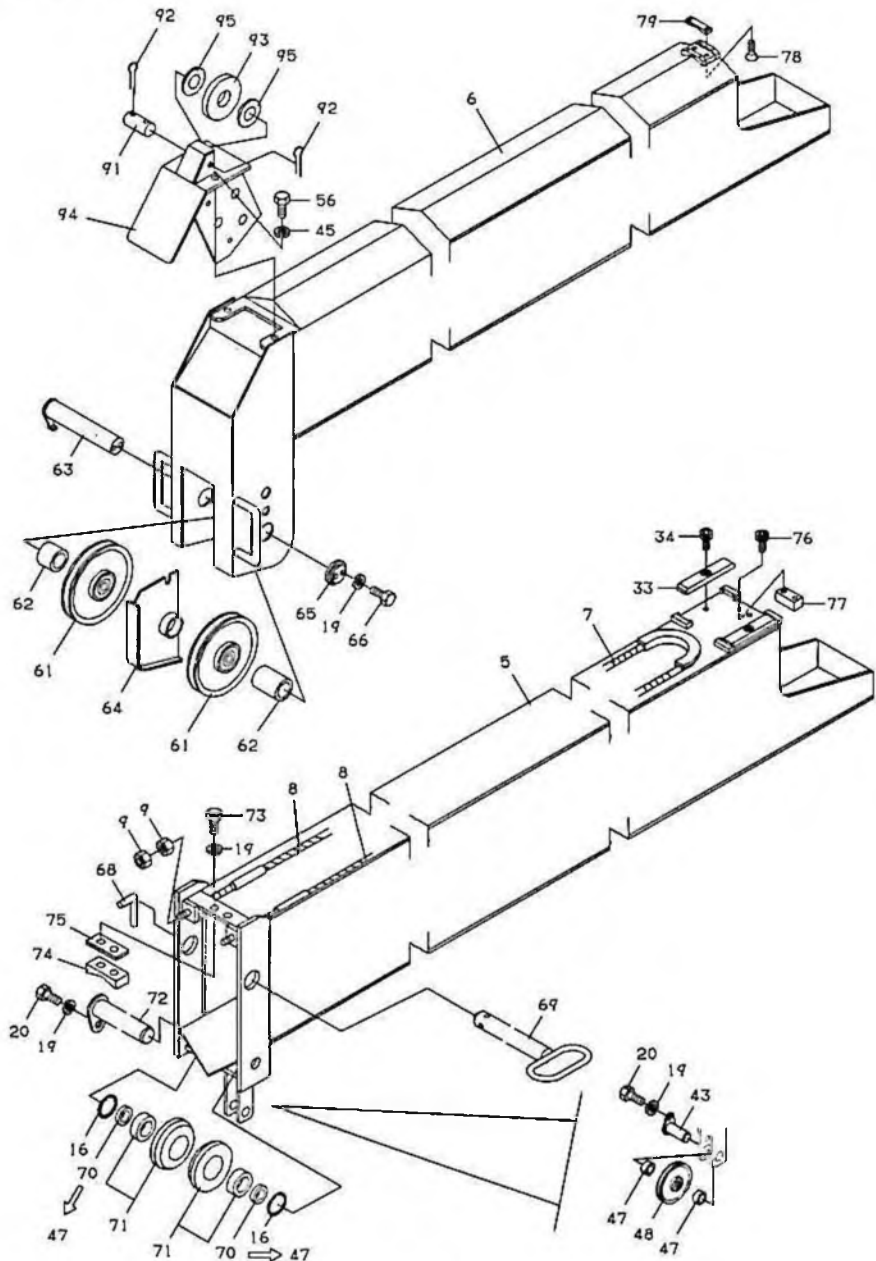




組立名称 Assembly Name		フーム BOOM		FIG. PG101-0292-02																		
仕様書 Specification	番号 No.	A < 310-120-20010 (2) >	B < 310-120-20020 (3) >	C < 310-120-20030 (4) >	D < 310-120-20040 (5) >	E < 310-120-20050 (6M) >	F < 310-120-20110 (2 H) >	G < 310-120-20120 (3 H) >	H < 310-120-20130 (4 H) >	I < 310-120-20140 (5 H) >	J < 310-120-20150 (6H H) >											
指示番号 Key No.	部品番号 Part No.	部品名称 Part Name	Qty Per Section 個数													実務仕様 (変更番号)	Serial No. (Modifi. No.)	ページ Page				
			A	B	C	D	E	F	G	H	I	J	K	L	M	N	O					
1	312-006-19510	BOOM, BASE	-	-	-	1	-	-	-	-	-	-	-	-	-	-	-	-	-	-	-	-
2	312-006-12001	BOOM, SECOND	-	-	-	1	-	-	-	-	-	-	-	-	-	-	-	-	-	-	-	-
3	312-006-13001	BOOM, THIRD	-	-	-	1	-	-	-	-	-	-	-	-	-	-	-	-	-	-	-	-
4	312-006-14001	BOOM, FORTH	-	-	-	1	-	-	-	-	-	-	-	-	-	-	-	-	-	-	-	-
5	312-006-15000	BOOM, TOP	-	-	-	1	-	-	-	-	-	-	-	-	-	-	-	-	-	-	-	-
6	824-561-01000	HIPPLE, GREASE A-PT1/8	-	-	-	1	-	-	-	-	-	-	-	-	-	-	-	-	-	-	-	-
7	370-019-02530	ROPE, WIRE	-	-	-	1	-	-	-	-	-	-	-	-	-	-	-	-	-	-	-	-
8	370-019-03600	ROPE, WIRE	-	-	-	1	-	-	-	-	-	-	-	-	-	-	-	-	-	-	-	-
9	902-012-01000	NUT, M10	-	-	-	4	-	-	-	-	-	-	-	-	-	-	-	-	-	-	-	-
10	370-004-00000	BEARING, PLAIN	-	-	-	2	-	-	-	-	-	-	-	-	-	-	-	-	-	-	-	-
11	370-003-05730	SPACER	-	-	-	1	-	-	-	-	-	-	-	-	-	-	-	-	-	-	-	-
12	806-011-10300	RING, RETAINING S30	-	-	-	2	-	-	-	-	-	-	-	-	-	-	-	-	-	-	-	-
13	370-001-33560	PIN	-	-	-	1	-	-	-	-	-	-	-	-	-	-	-	-	-	-	-	-
14	370-011-03390	ROLLER ASSY (ASSY ONLY)	-	-	-	1	-	-	-	-	-	-	-	-	-	-	-	-	-	-	-	-
14	370-011-06920	ROLLER ASSY (ASSY ONLY)	-	-	-	1	-	-	-	-	-	-	-	-	-	-	-	-	-	-	-	-
15	370-001-26850	PIN	-	-	-	1	-	-	-	-	-	-	-	-	-	-	-	-	-	-	-	-
16	806-031-10220	RING, RETAINING	-	-	-	2	-	-	-	-	-	-	-	-	-	-	-	-	-	-	-	-
17	370-001-06320	PIN	-	-	-	2	-	-	-	-	-	-	-	-	-	-	-	-	-	-	-	-
18	806-021-10350	RING, RETAINING R35	-	-	-	2	-	-	-	-	-	-	-	-	-	-	-	-	-	-	-	-
19	903-020-41001	WASHER, SPRING 10	-	-	-	6	-	-	-	-	-	-	-	-	-	-	-	-	-	-	-	-
20	901-012-10012	BOLT M10X12	-	-	-	4	-	-	-	-	-	-	-	-	-	-	-	-	-	-	-	-
21	801-363-63080	PIN, SPLIT 6.3X80	-	-	-	1	-	-	-	-	-	-	-	-	-	-	-	-	-	-	-	-
22	312-005-83200	PIN	-	-	-	1	-	-	-	-	-	-	-	-	-	-	-	-	-	-	-	-
23	370-001-10850	PIN	-	-	-	2	-	-	-	-	-	-	-	-	-	-	-	-	-	-	-	-
24	806-021-10250	RING, RETAINING R25	-	-	-	2	-	-	-	-	-	-	-	-	-	-	-	-	-	-	-	-
25	370-001-34870	PIN	-	-	-	2	-	-	-	-	-	-	-	-	-	-	-	-	-	-	-	-
26	806-021-10300	RING, RETAINING R30	-	-	-	2	-	-	-	-	-	-	-	-	-	-	-	-	-	-	-	-
27	370-002-00840	PIN	-	-	-	1	-	-	-	-	-	-	-	-	-	-	-	-	-	-	-	-
28	806-011-10120	RING, RETAINING S12	-	-	-	2	-	-	-	-	-	-	-	-	-	-	-	-	-	-	-	-
29	370-011-01900	ROLLER	-	-	-	1	-	-	-	-	-	-	-	-	-	-	-	-	-	-	-	-
30	370-020-04960	PLATE, SLIDE	-	-	-	2	-	-	-	-	-	-	-	-	-	-	-	-	-	-	-	-
31	824-551-06000	HIPPLE, GREASE A-M6F FE	-	-	-	8	-	-	-	-	-	-	-	-	-	-	-	-	-	-	-	-
33	370-020-04970	PLATE, SLIDE	-	-	-	2	-	-	-	-	-	-	-	-	-	-	-	-	-	-	-	-
34	901-315-06008	BOLT, HEXAGON SOCKET M6X8	-	-	-	2	-	-	-	-	-	-	-	-	-	-	-	-	-	-	-	-
37	312-008-94100	PLATE, SLIDE	-	-	-	16	-	-	-	-	-	-	-	-	-	-	-	-	-	-	-	-

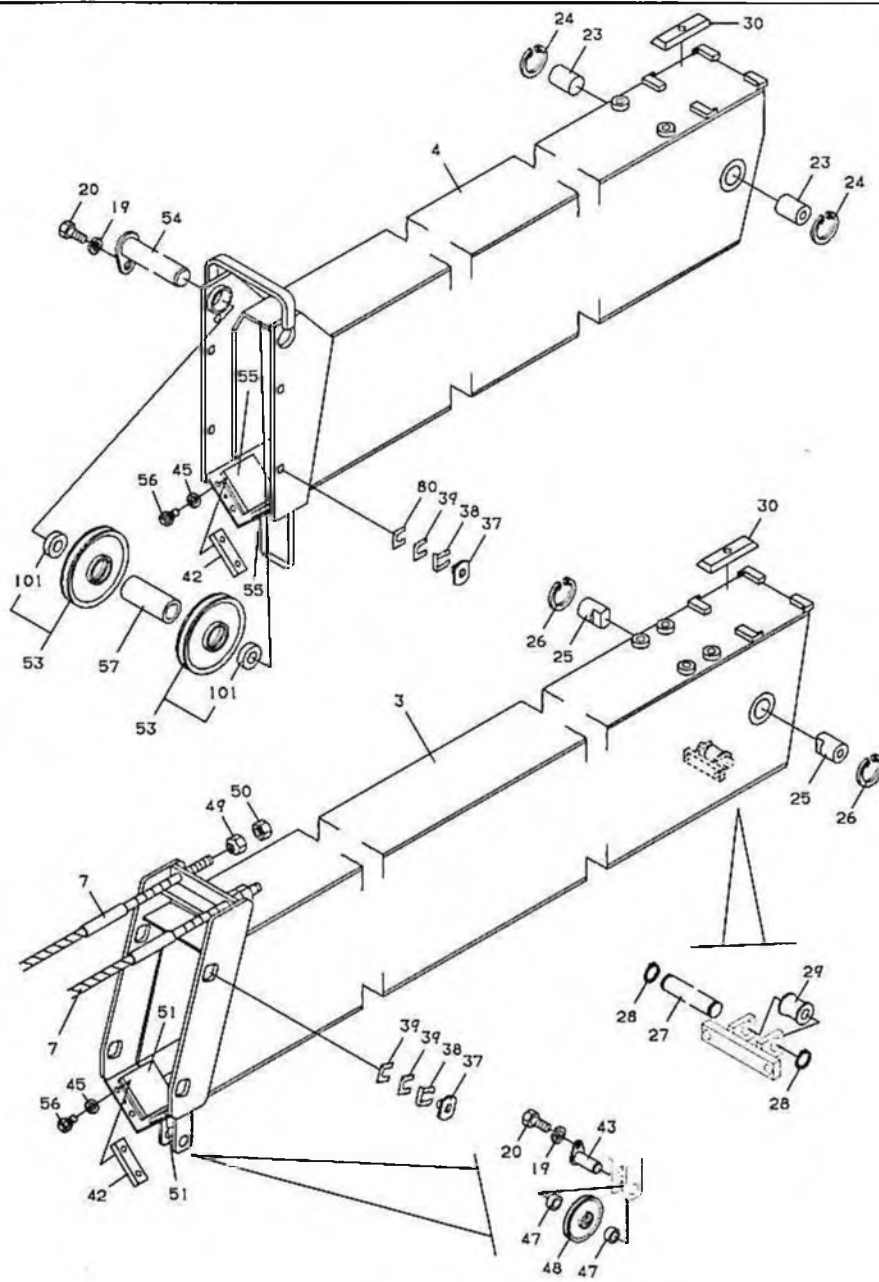
組立名称 フ-ム
Assembly Name BCOM

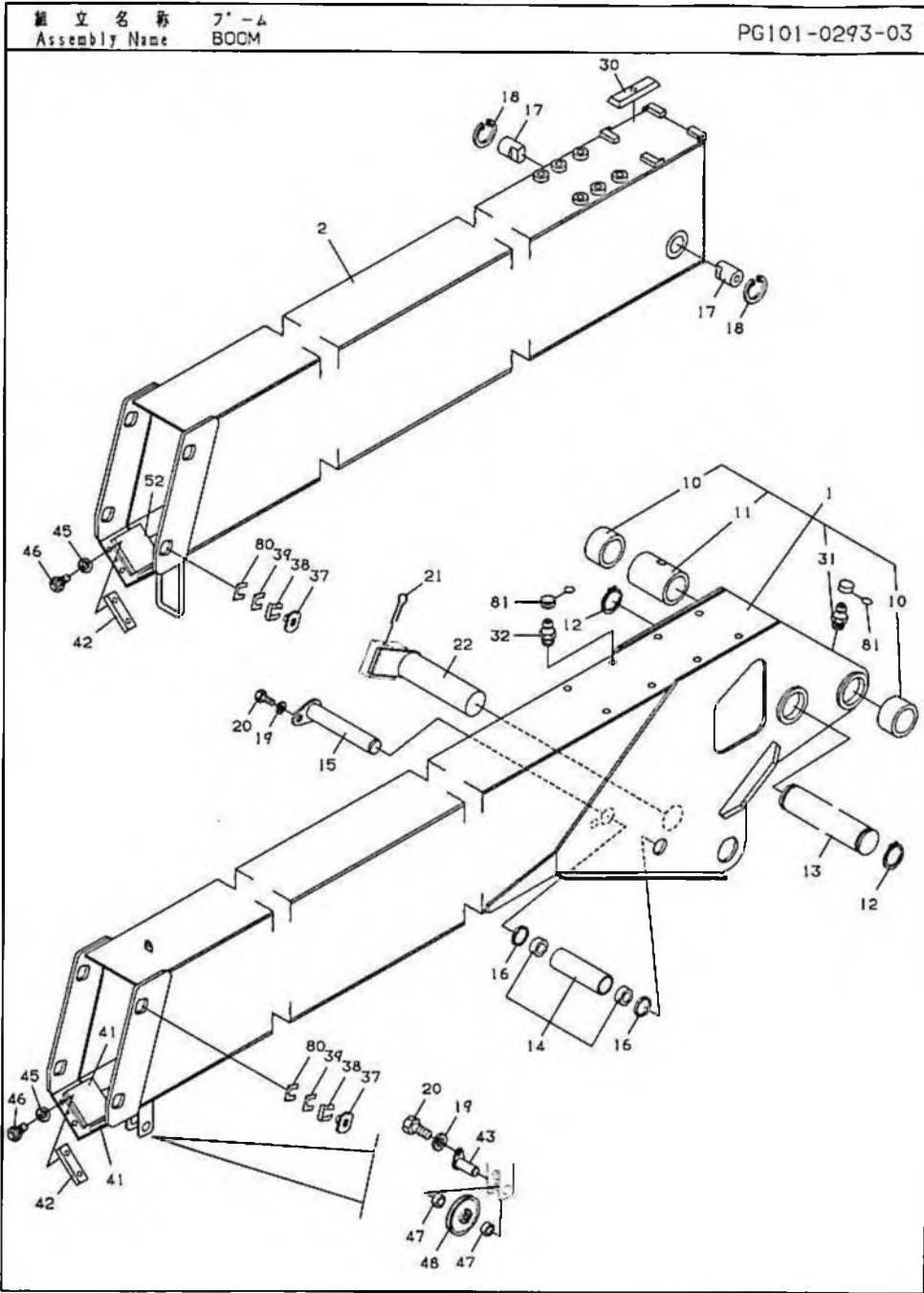
PG101-0293-03



組立名称 フ-ム
Assembly Name BCOM

PG101-0293-03

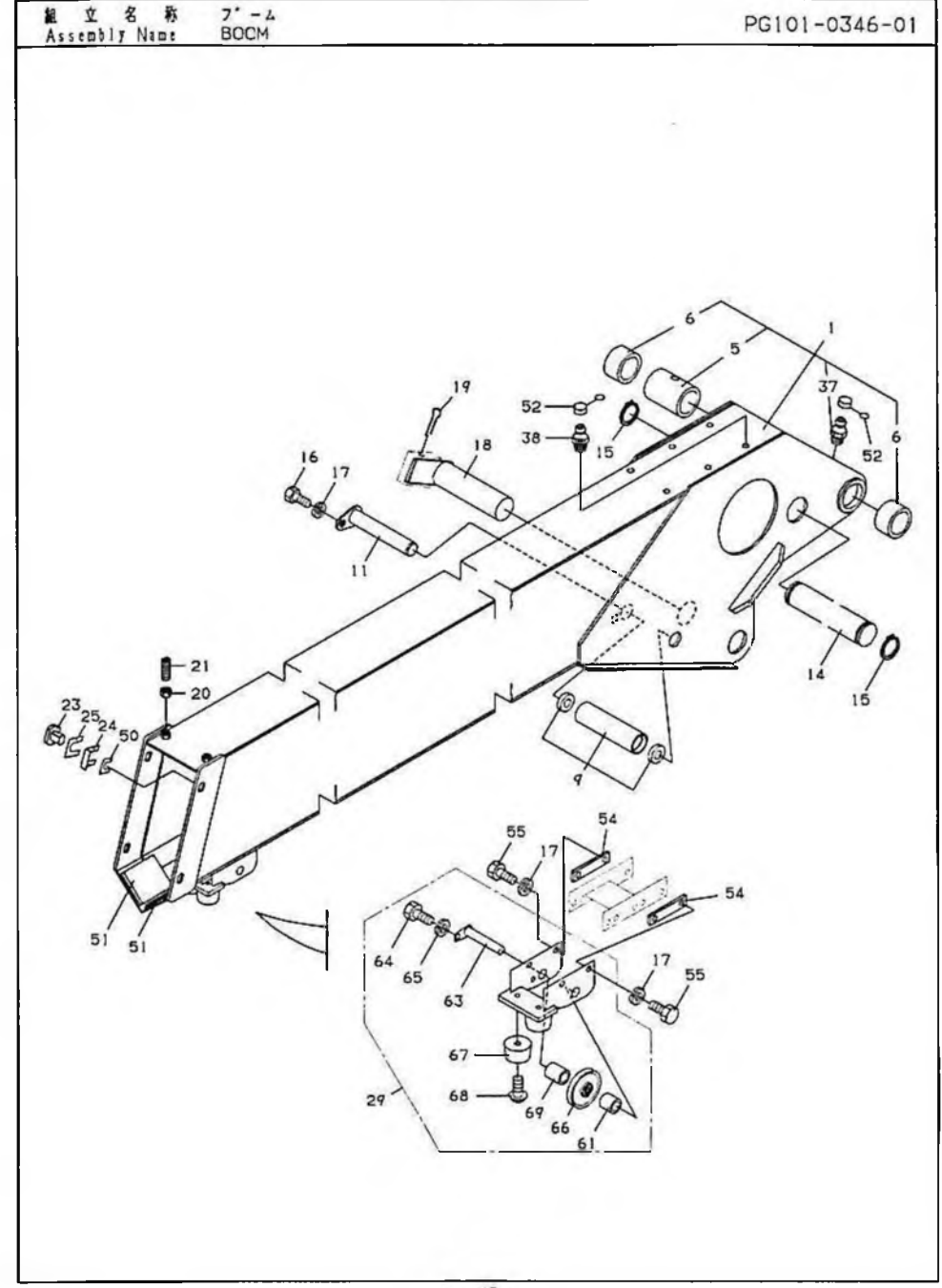
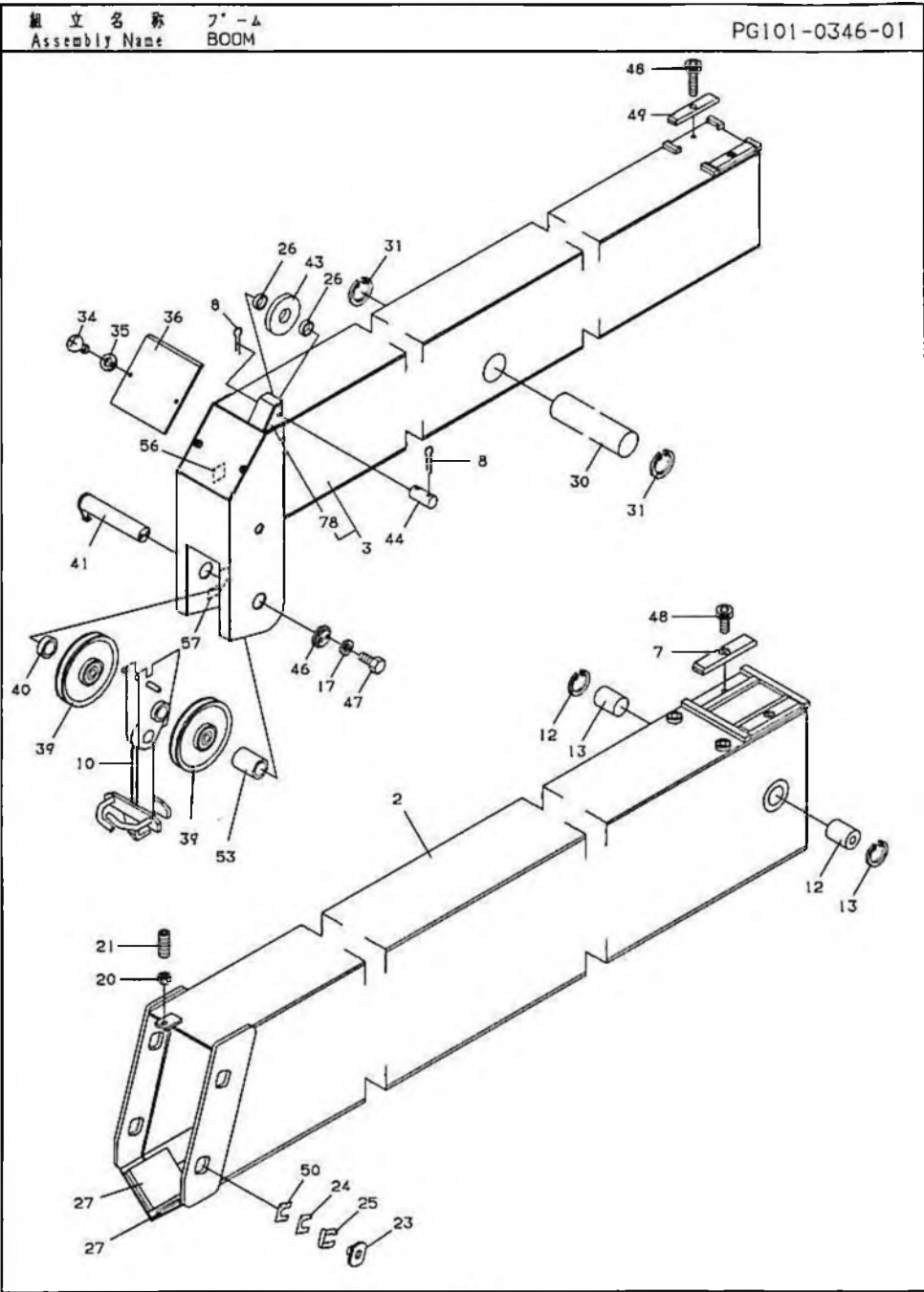




組立名称 Assembly Name		フーム BOOM		FIG. PG101-0293-03																								
スペック番号 Specification No.		A < 310-120-20010 (2) > B < 310-120-20020 (3) > C < 310-120-20030 (4) > D < 310-120-20040 (5) > E < 310-120-20050 (6H) > F < 310-120-20110 (2 H) > G < 310-120-20120 (3 H) > H < 310-120-20130 (4 H) > I < 310-120-20140 (5 H) > J < 310-120-20150 (6H H) >																										
指示番号 Key No.	部品番号 Part No.	部品名称 Part Name	Qty Per Section 個数																実番号機 (実装番号)	Serial No. Modif. No.	ページ Page							
			A	B	C	D	E	F	G	H	I	J	K	L	M	N	O											
1	312-006-19510	BOOM, BASE							1																			
2	312-006-12001	BOOM, SECOND							1																			
3	312-006-13001	BOOM, THIRD							1																			
4	312-006-14001	BOOM, FOURTH							1																			
5	312-006-21000	BOOM, FIFTH							1																			
6	312-006-22000	BOOM, TOP							1																			
7	370-019-02530	ROPE, WIRE							1																			
8	370-019-03600	ROPE, WIRE							1																			
9	902-012-01000	NUT M10							4																			
10	370-004-00000	BEARING, PLAIN							2																			
11	370-003-05730	SPACER							1																			
12	806-011-10300	RING, RETAINING S30							2																			
13	370-001-33560	PIN							1																			
14	370-011-03390	ROLLER ASSY (ASSY ONLY)							1																			
14	370-011-06920	ROLLER ASSY (ASSY ONLY)							1																			
15	370-001-26850	PIN							1																			
16	806-031-10220	RING, RETAINING							5																			
16	806-031-10220	RING, RETAINING							5																			
17	370-001-06320	PIN							2																			
18	806-021-10350	RING, RETAINING R35							2																			
19	903-020-41001	WASHER, SPRING 10							7																			
20	901-012-10012	BOLT M10X12							5																			
21	801-363-63080	PIN, SPLIT 6.3XR0							1																			
22	312-005-83200	PIN							1																			
23	370-001-10850	PIN							2																			
24	806-021-10250	RING, RETAINING R25							2																			
25	370-001-34870	PIN							2																			
26	806-021-10300	RING, RETAINING R30							2																			
27	370-002-00840	PIN							1																			
28	806-011-10120	RING, RETAINING S12							2																			
29	370-011-01900	ROLLER							1																			
30	370-020-04960	PLATE, SLIDE							6																			
31	824-561-01000	NIPPLE, GREASE A-P11/8							1																			
32	824-551-06000	NIPPLE, GREASE A-M6F FC							8																			
33	370-020-04970	PLATE, SLIDE							2																			

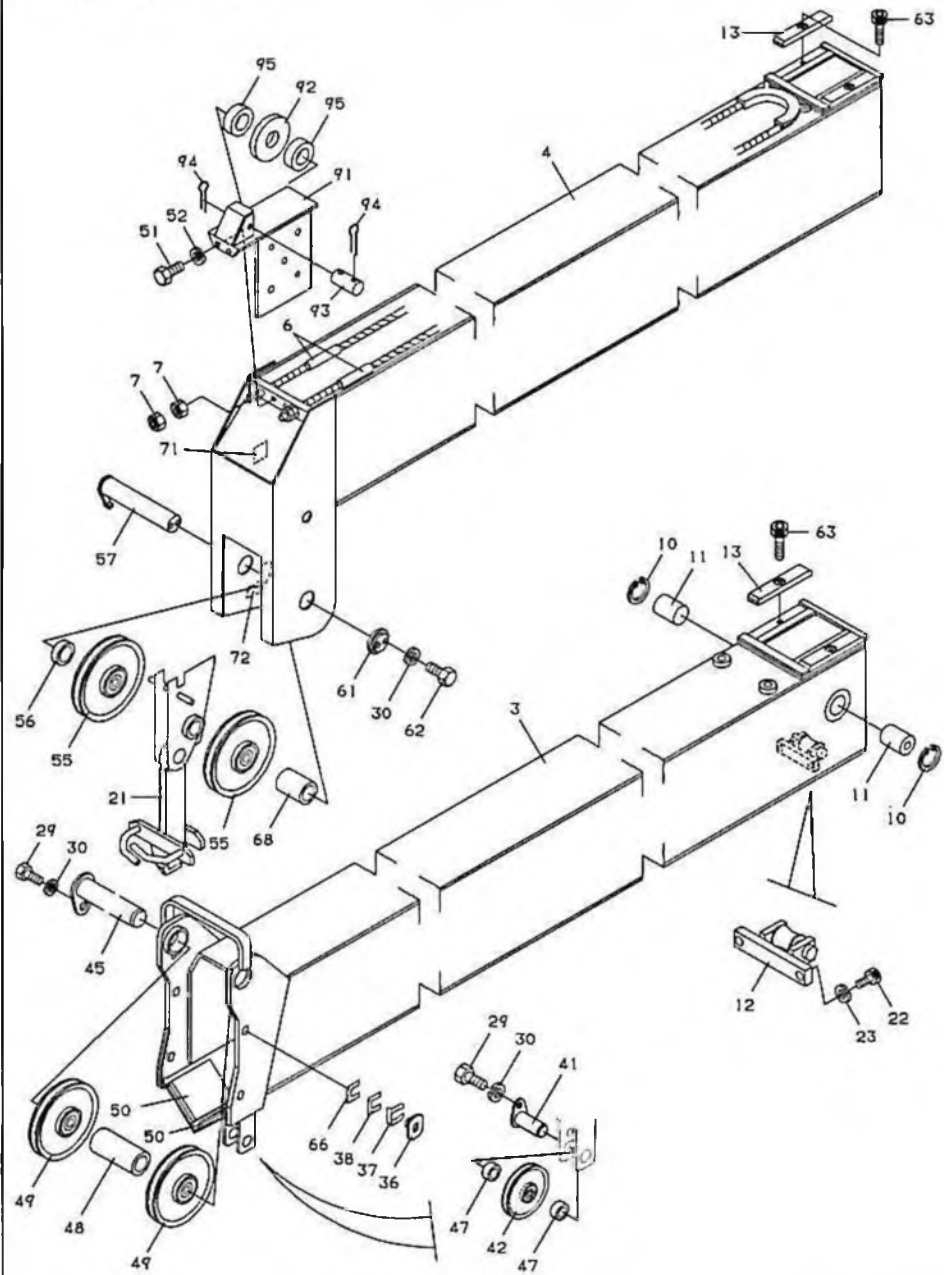
組立名称 Assembly Name		7-4 DOOH		FIG. PG101-0293-03																
仕様書番号 Specification No.		A < 310-120-20010 (2) > B < 310-120-20020 (3) > C < 310-120-20030 (4) > D < 310-120-20040 (5) > E < 310-120-20050 (6H) > F < 310-120-20110 (2 H) > G < 310-120-20120 (3 H) > H < 310-120-20130 (4 H) > I < 310-120-20140 (5 H) > J < 310-120-20150 (6H H) >																		
指示番号 Key No.	部品番号 Part No.	部品名称 Part Name	Qty Per Section 個数													実務号機 (実務番号)	Serial No. Modifi. No.	ページ Page		
			A	B	C	D	E	F	G	H	I	J	K	L	M				N	O
34	901-315-06008	BOLT, HEXAGON SOCKET M6X8					2													
37	312-008-94100	PLATE, SLIDE					1													
38	312-007-13300	SHIM T=1.0					1													
38	312-015-80100	SHIM					1													
39	312-007-13400	SHIM T=0.6					2													
39	312-007-13400	SHIM T=0.6					2													
41	370-020-04050	PLATE, SLIDE					2													
41	370-020-06610	PLATE, SLIDE					2													
42	312-006-16200	RETAINER					1													
43	370-001-02070	PIN					3													
45	903-020-40801	WASHER, SPRING 8					1													
46	901-017-08018	BOLT M8X18					2													
46	901-711-08018	BOLT M8X18					2													
47	370-003-00240	SPACER					2													
48	370-010-04510	SHEAVE ASSY (ASSY ONLY)					3													
49	370-016-01600	NUT					2													
50	902-012-01200	NUT M12					2													
51	370-020-04930	PLATE, SLIDE					2													
52	370-020-04950	PLATE, SLIDE					2													
53	370-010-04550	SHEAVE ASSY (ASSY ONLY)					2													
54	370-001-34850	PIN					1													
55	370-020-04080	PLATE, SLIDE					2													
55	370-020-05700	PLATE, SLIDE					2													
56	901-017-08016	BOLT M8X16					10													
56	901-711-08016	BOLT M8X16					10													
57	370-003-00940	SPACER					1													
61	370-010-04350	SHEAVE ASSY (ASSY ONLY)					2													
62	124-410-57000	SPACER					2													
63	312-006-23100	PIN					1													
64	312-006-04500	SPACER					1													
65	312-005-84000	COVER					1													
66	901-912-10020	BOLT M10X20					2													
68	116-213-08000	PIN					1													
69	370-002-01140	PIN					1													
71	370-011-03470	ROLLER ASSY (ASSY ONLY)					2													

組立名称 Assembly Name		7-4 DOOH		FIG. PG101-0293-03																
仕様書番号 Specification No.		A < 310-120-20010 (2) > B < 310-120-20020 (3) > C < 310-120-20030 (4) > D < 310-120-20040 (5) > E < 310-120-20050 (6H) > F < 310-120-20110 (2 H) > G < 310-120-20120 (3 H) > H < 310-120-20130 (4 H) > I < 310-120-20140 (5 H) > J < 310-120-20150 (6H H) >																		
指示番号 Key No.	部品番号 Part No.	部品名称 Part Name	Qty Per Section 個数													実務号機 (実務番号)	Serial No. Modifi. No.	ページ Page		
			A	B	C	D	E	F	G	H	I	J	K	L	M				N	O
72	370-001-35030	PIN					1													
73	901-012-10020	BOLT M10X20					2													
74	312-005-20700	STOPPER					1													
75	370-005-31500	PLATE					1													
76	901-315-08016	BOLT, HEXAGON SOCKET M8X16					2													
77	370-020-03340	PLATE, SLIDE					1													
78	801-753-04008	SCREW, MACHINE M4X8					2													
79	370-020-03330	PLATE, SLIDE					1													
80	322-003-55500	SHIM T=1.2					12													
81	824-000-00459	CAP					9													
91	370-001-04920	PIN					1													
92	801-363-32020	PIN, SPLIT 3.2X20					2													
93	370-011-02460	ROLLER					1													
94	312-006-23300	COVER					1													
95	370-003-07020	SPACER					2													



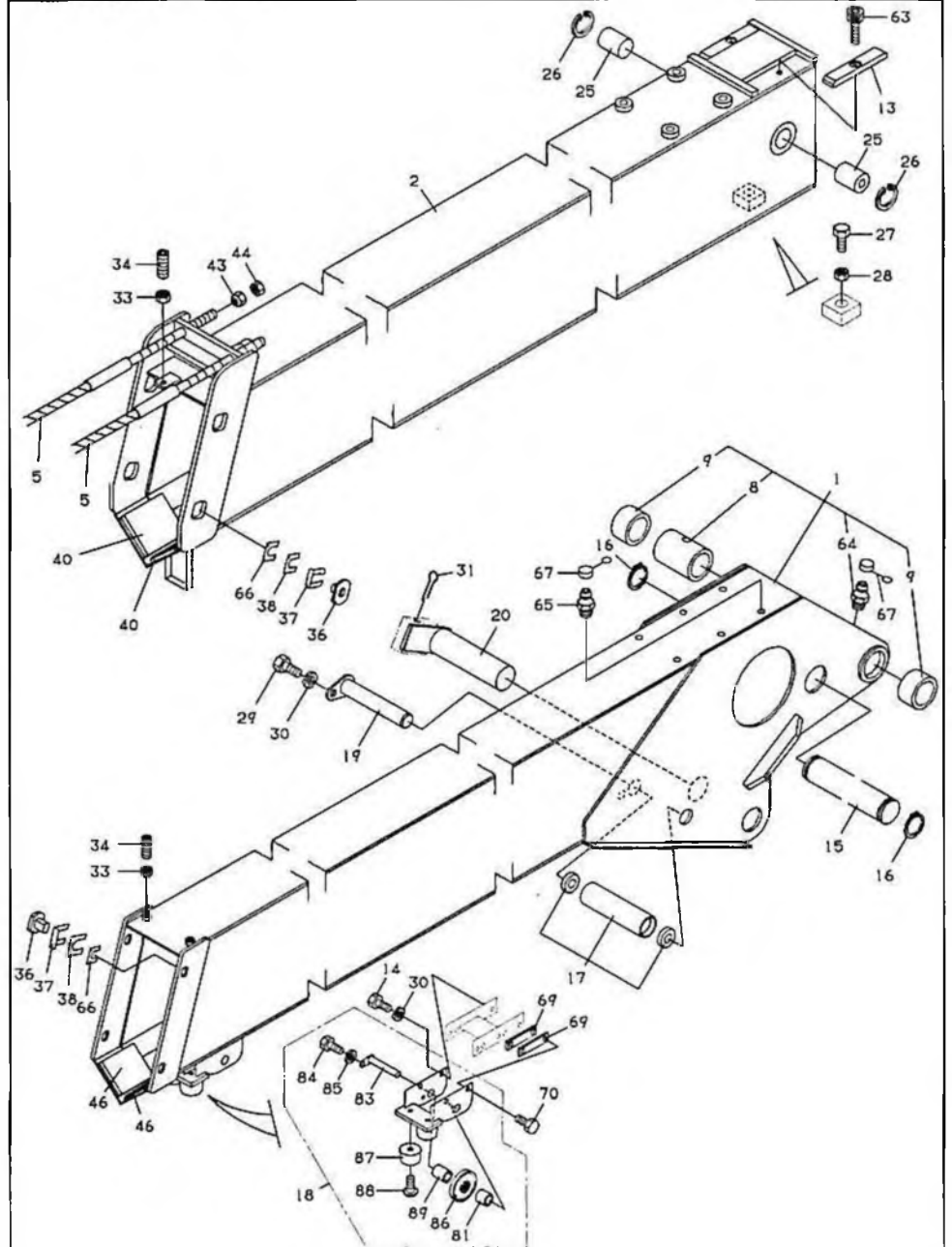
組立名称 7'-L
Assembly Name BCOM

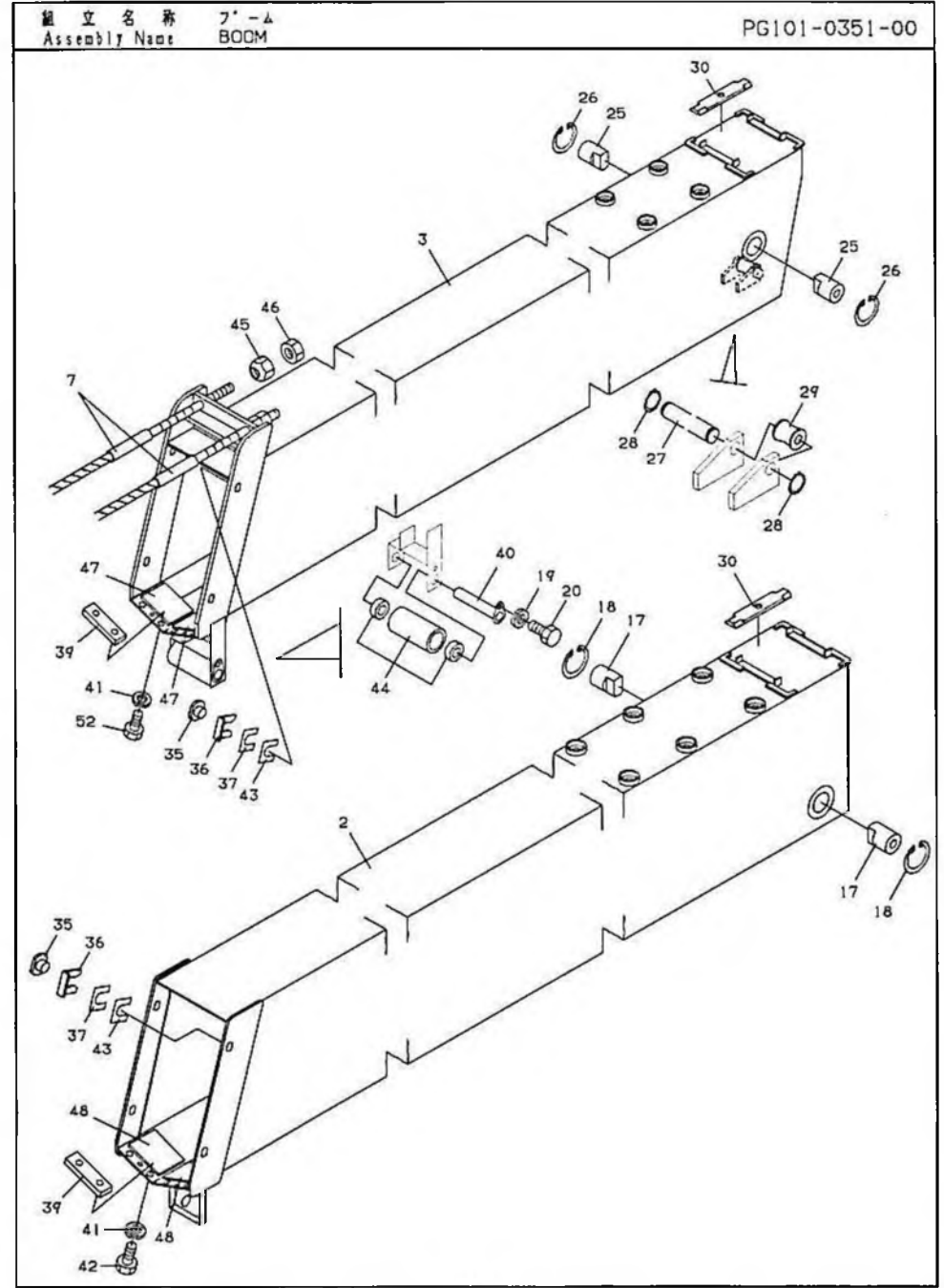
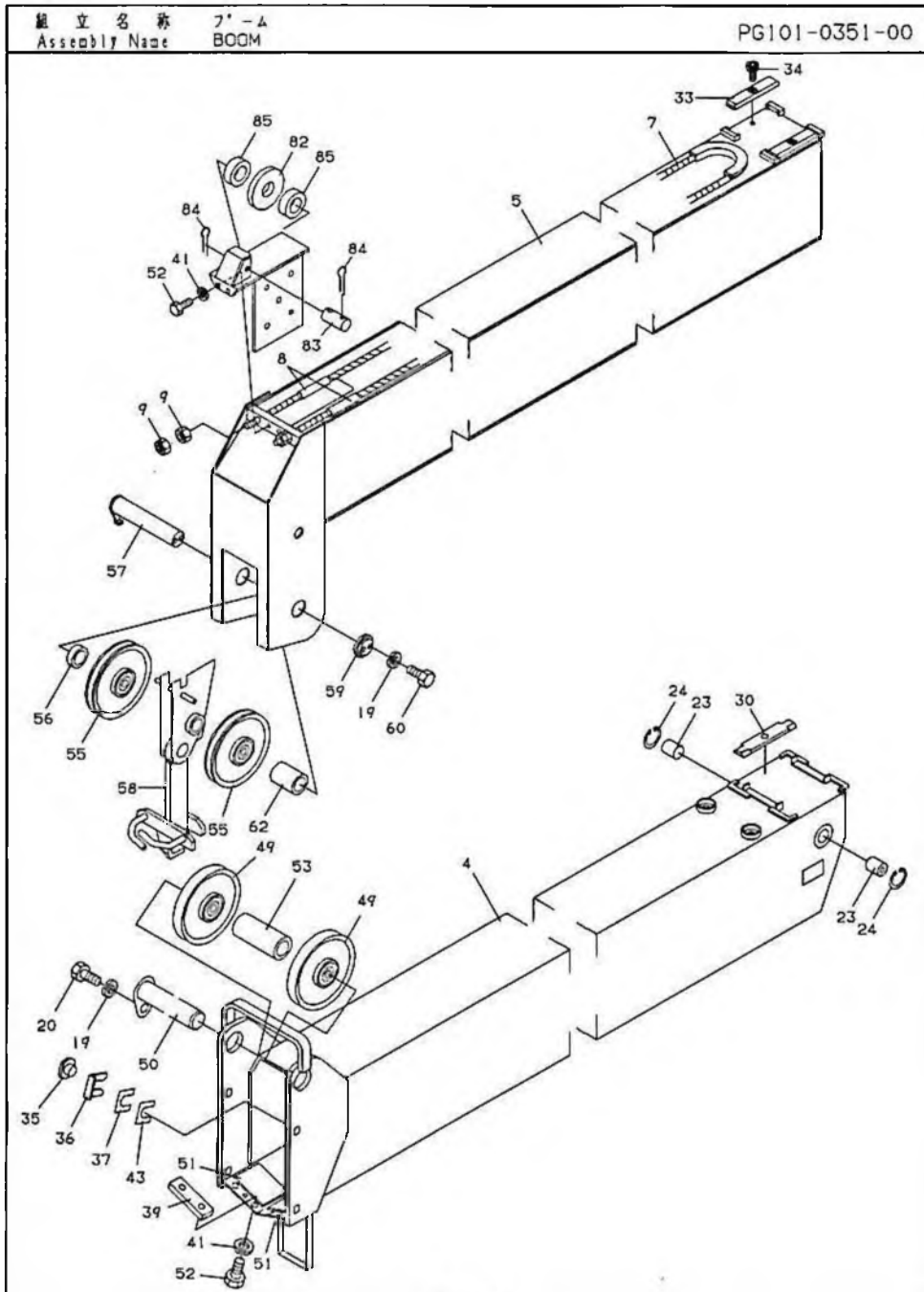
PG101-0347-00

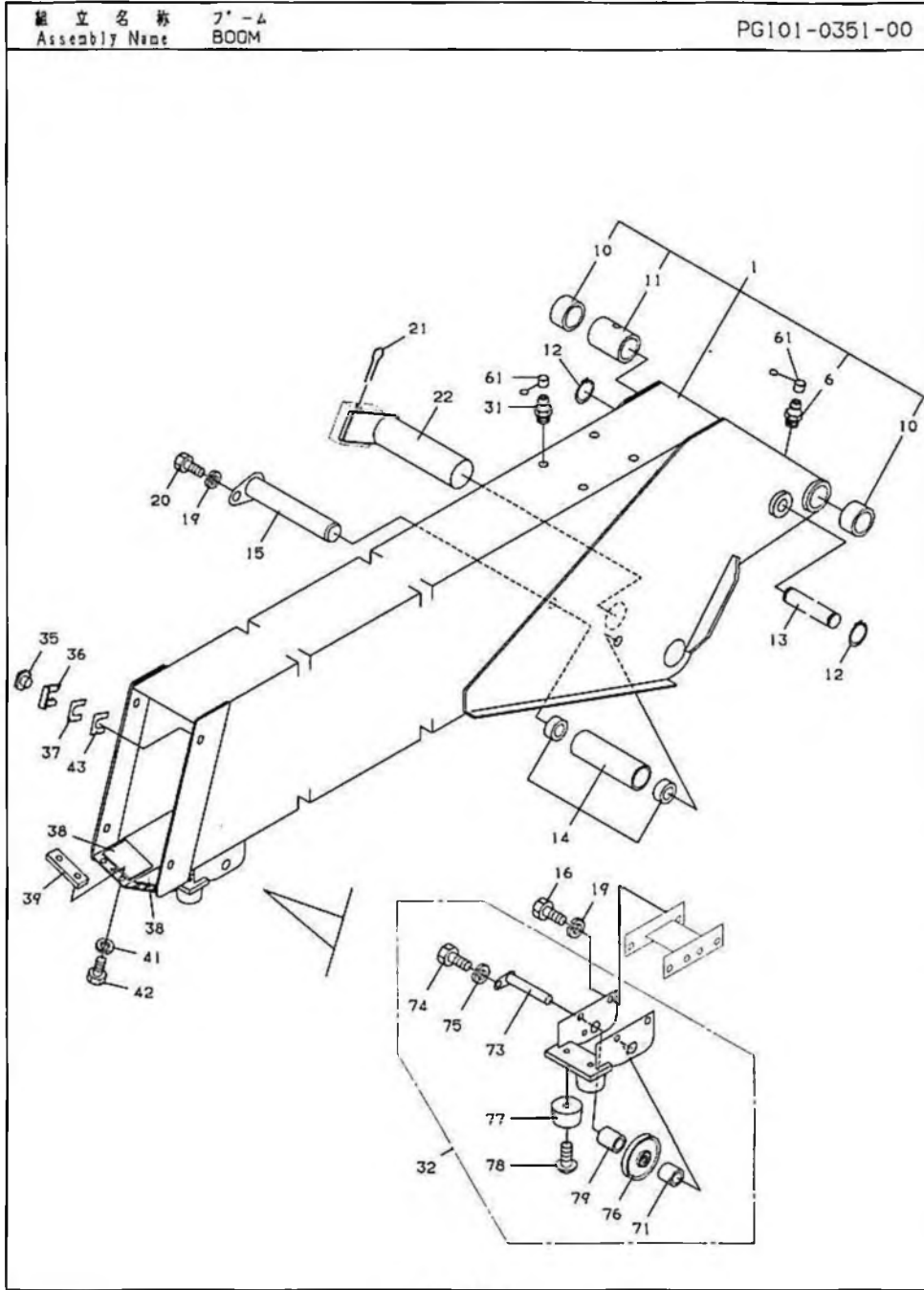


組立名称 7'-L
Assembly Name BCOM

PG101-0347-00







組立名称 フーム
Assembly Name BOOM

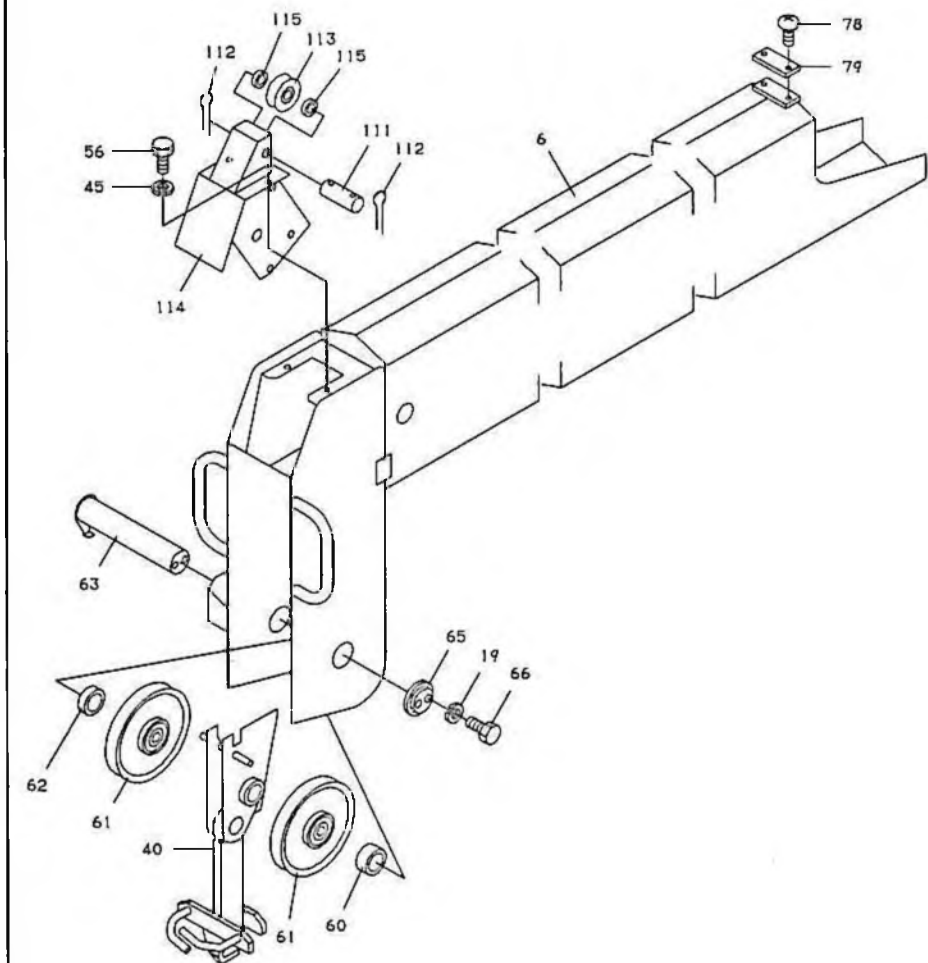
FIG. PG101-0351-00

スペック 番 号 A < 310-120-20010 (2) > D < 310-120-20020 (3) > C < 310-120-20030 (4) >
Specification No. D < 310-120-20040 (5) > E < 310-120-20050 (6H) > F < 310-120-20110 (2 H) >
G < 310-120-20120 (3 H) > H < 310-120-20130 (4 H) > I < 310-120-20140 (5 H) >
J < 310-120-20150 (6H H) >

指示番号 Key No.	部品番号 Part No.	部品名称 Part Name	Qty Per Section 個数														実施号機 (変更番号)	Serial No. Modifi. No.	ページ Page	
			A	B	C	D	E	F	G	H	I	J	K	L	M	N				O
1	312-013-19510	BOOM,BASE	-	-	-	-	-	-	-	-	-	-	-	-	-	-	-			
2	312-013-12000	BOOM,SECOND	-	-	-	-	-	-	-	-	-	-	-	-	-	-	-			
3	312-013-13000	BOOM,THIRD	-	-	-	-	-	-	-	-	-	-	-	-	-	-	-			
4	312-013-14000	BOOM,FORTH	-	-	-	-	-	-	-	-	-	-	-	-	-	-	-			
5	312-013-15000	BOOM, TOP	-	-	-	-	-	-	-	-	-	-	-	-	-	-	-			
6	824-561-01000	NIPPLE,GREASE A-P11/8	-	-	-	-	-	-	-	-	-	-	-	-	-	-	-			
7	370-019-02530	ROPE,WIRE	-	-	-	-	-	-	-	-	-	-	-	-	-	-	-			
8	370-019-05600	ROPE,WIRE	-	-	-	-	-	-	-	-	-	-	-	-	-	-	-			
9	902-012-01000	NUT M10	-	-	-	-	-	-	-	-	-	-	-	-	-	-	-			
10	370-004-00000	BEARING,PLAIN	-	-	-	-	-	-	-	-	-	-	-	-	-	-	-			
11	370-003-05730	SPACER	-	-	-	-	-	-	-	-	-	-	-	-	-	-	-			
12	806-011-10300	RING,RETAINING S30	-	-	-	-	-	-	-	-	-	-	-	-	-	-	-			
13	370-001-33560	PIN	-	-	-	-	-	-	-	-	-	-	-	-	-	-	-			
14	370-011-06920	ROLLER ASSY (ASSY ONLY)	-	-	-	-	-	-	-	-	-	-	-	-	-	-	-			
15	370-001-26850	PIN	-	-	-	-	-	-	-	-	-	-	-	-	-	-	-			
16	901-012-10016	BOLT M10X16	-	-	-	-	-	-	-	-	-	-	-	-	-	-	-			
17	370-001-06320	PIN	-	-	-	-	-	-	-	-	-	-	-	-	-	-	-			
18	806-021-10350	RING,RETAINING R35	-	-	-	-	-	-	-	-	-	-	-	-	-	-	-			
19	903-020-41001	WASHER,SPRING 10	-	-	-	-	-	-	-	-	-	-	-	-	-	-	-			
20	901-012-10012	BOLT M10X12	-	-	-	-	-	-	-	-	-	-	-	-	-	-	-			
21	801-363-63000	PIN,SPLIT 6.3XR0	-	-	-	-	-	-	-	-	-	-	-	-	-	-	-			
22	312-005-83200	PIN	-	-	-	-	-	-	-	-	-	-	-	-	-	-	-			
23	370-001-10850	PIN	-	-	-	-	-	-	-	-	-	-	-	-	-	-	-			
24	806-021-10250	RING,RETAINING R25	-	-	-	-	-	-	-	-	-	-	-	-	-	-	-			
25	370-001-34870	PIN	-	-	-	-	-	-	-	-	-	-	-	-	-	-	-			
26	806-021-10300	RING,RETAINING R30	-	-	-	-	-	-	-	-	-	-	-	-	-	-	-			
27	370-002-00840	PIN	-	-	-	-	-	-	-	-	-	-	-	-	-	-	-			
28	806-011-10120	RING,RETAINING S12	-	-	-	-	-	-	-	-	-	-	-	-	-	-	-			
29	370-011-01900	ROLLER	-	-	-	-	-	-	-	-	-	-	-	-	-	-	-			
30	370-020-04960	PLATE,SLIDE	-	-	-	-	-	-	-	-	-	-	-	-	-	-	-			
31	824-551-06000	NIPPLE,GREASE A-N6F FC	-	-	-	-	-	-	-	-	-	-	-	-	-	-	-			
32	312-012-83000	SUPPORT ASSY	-	-	-	-	-	-	-	-	-	-	-	-	-	-	-			
33	370-020-04970	PLATE,SLIDE	-	-	-	-	-	-	-	-	-	-	-	-	-	-	-			
34	901-315-06008	BOLT,HEXAGON SOCKET M6X8	-	-	-	-	-	-	-	-	-	-	-	-	-	-	-			
35	312-008-94100	PLATE,SLIDE	-	-	-	-	-	-	-	-	-	-	-	-	-	-	-			

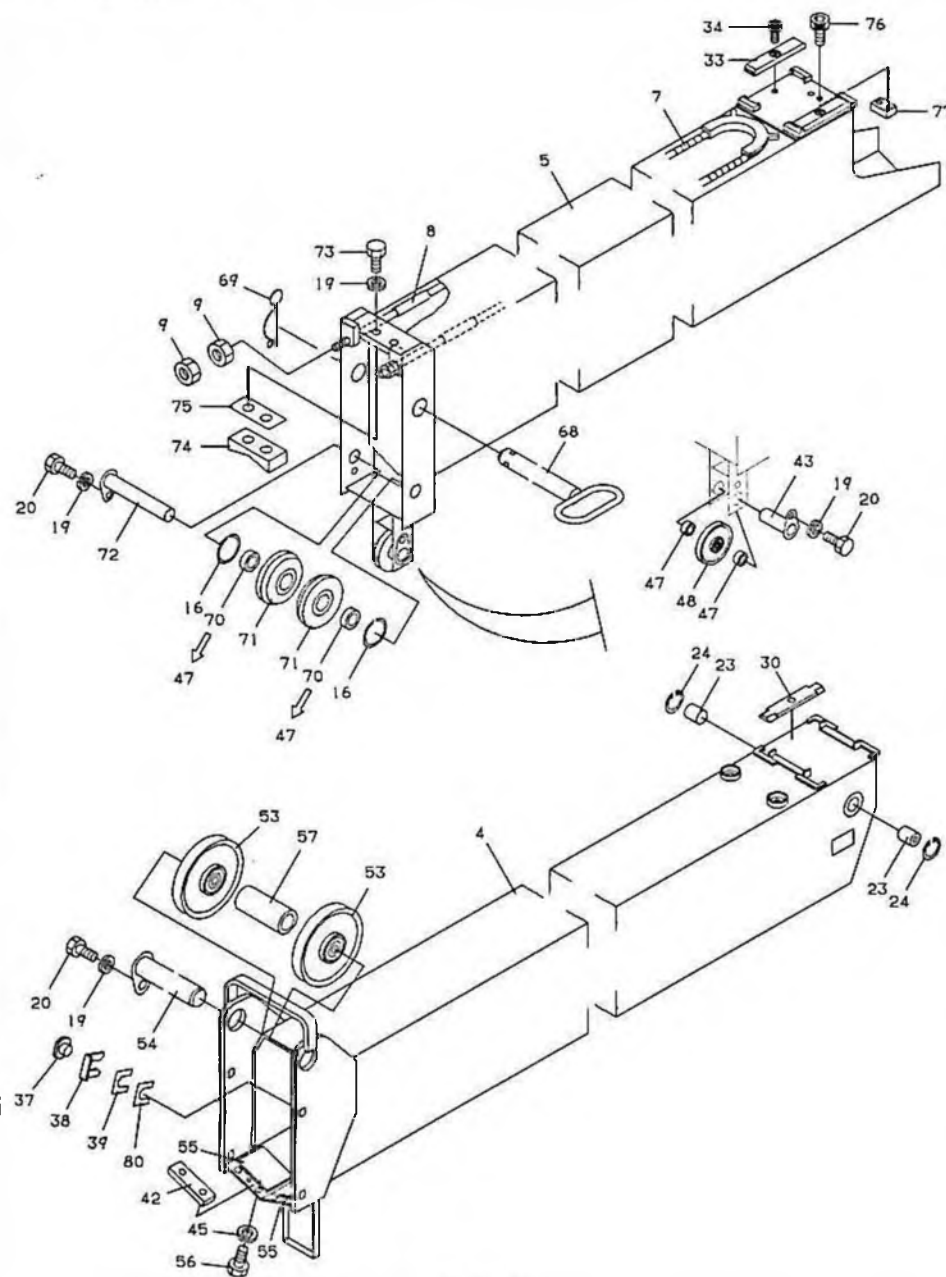
組立名称 フーム
Assembly Name BCOM

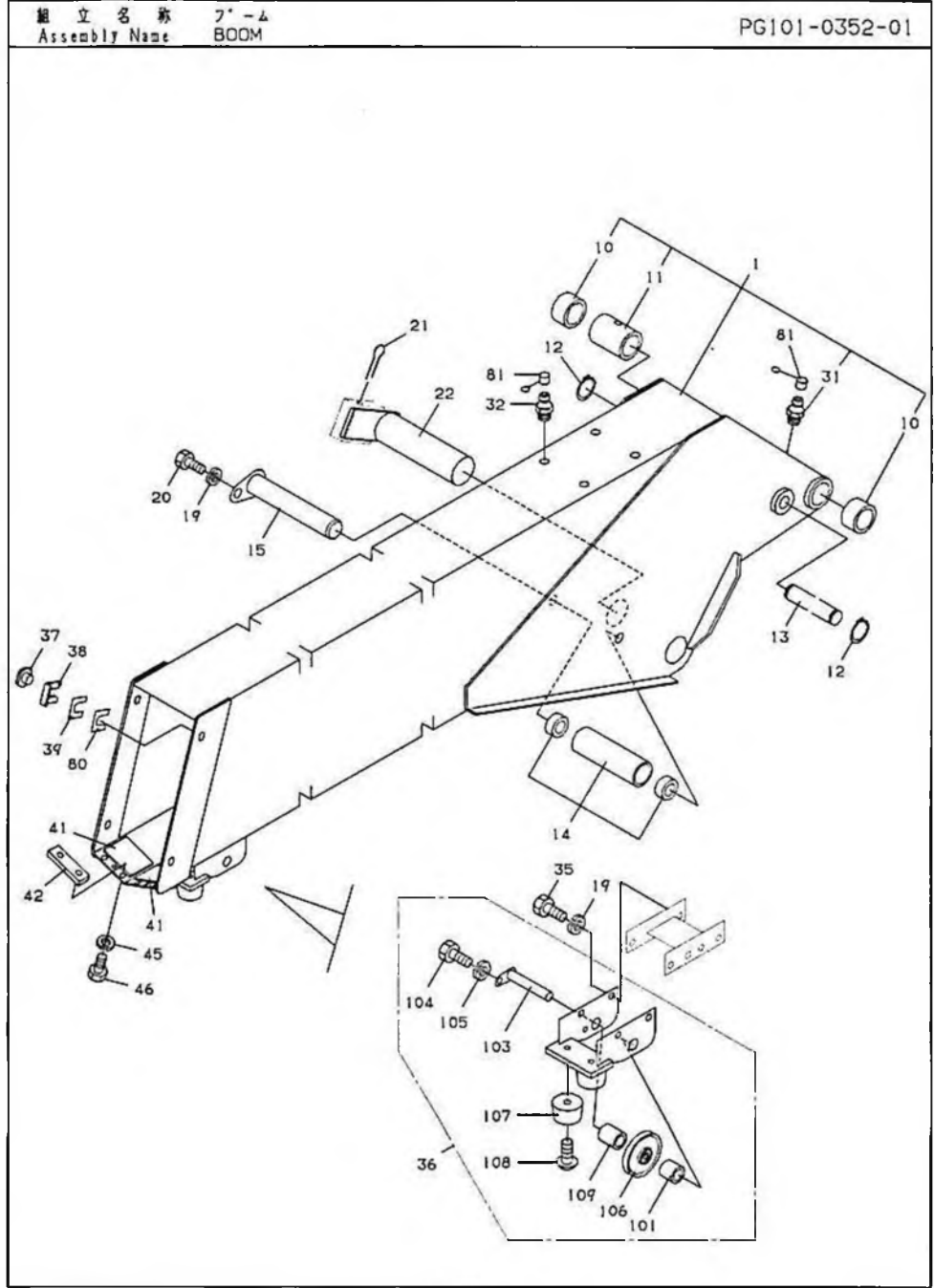
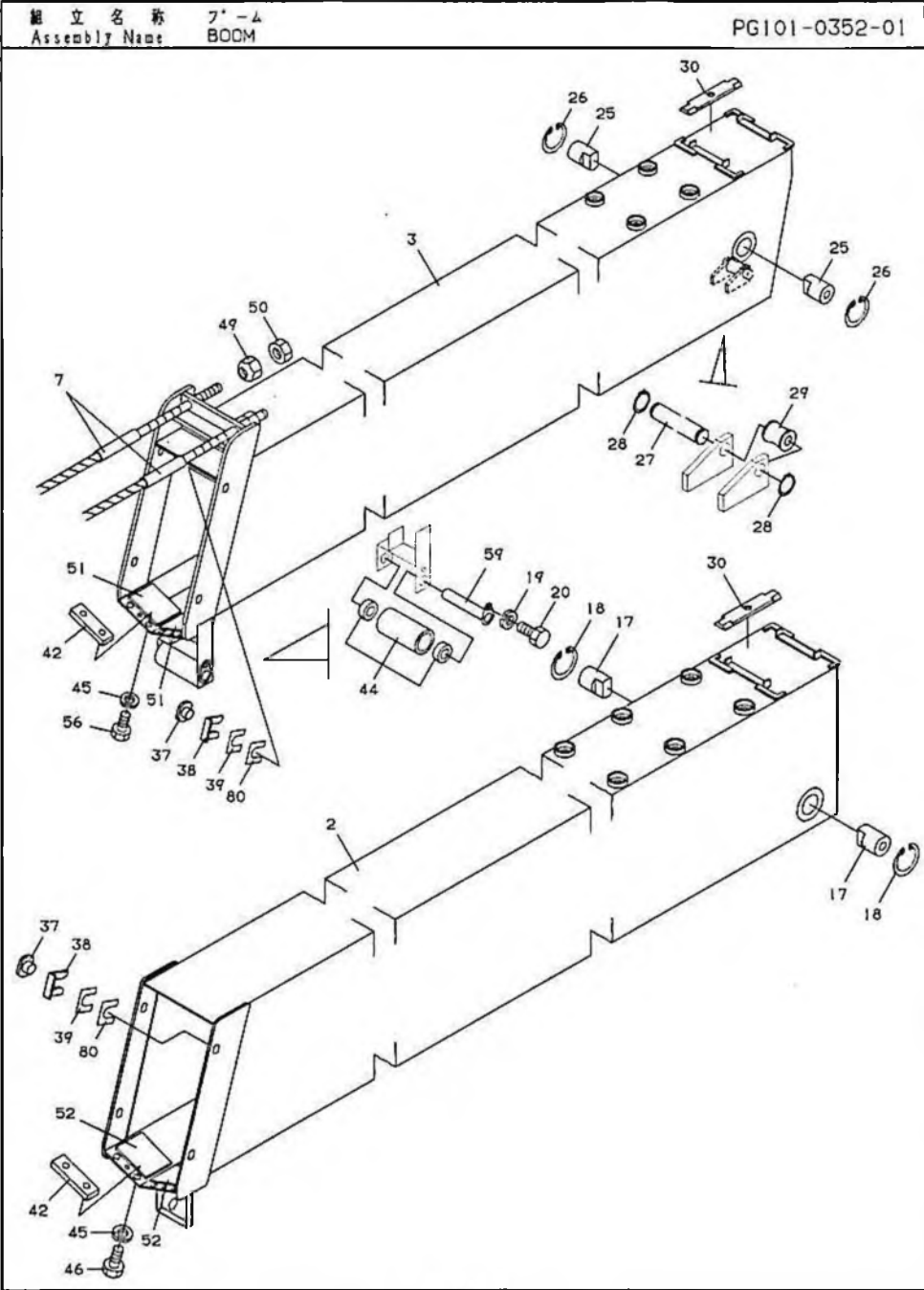
PG101-0352-01

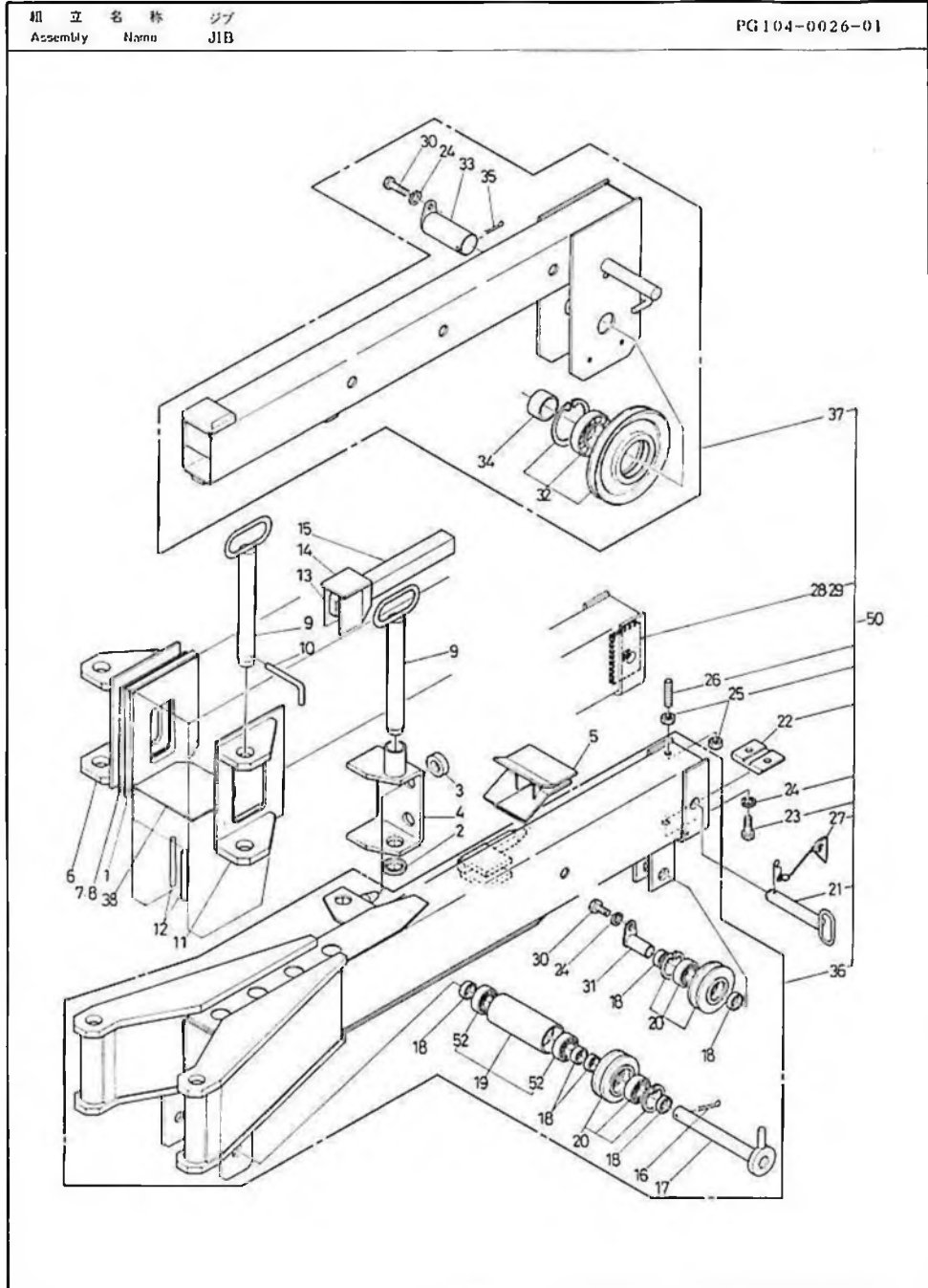


組立名称 フーム
Assembly Name BCOM

PG101-0352-01



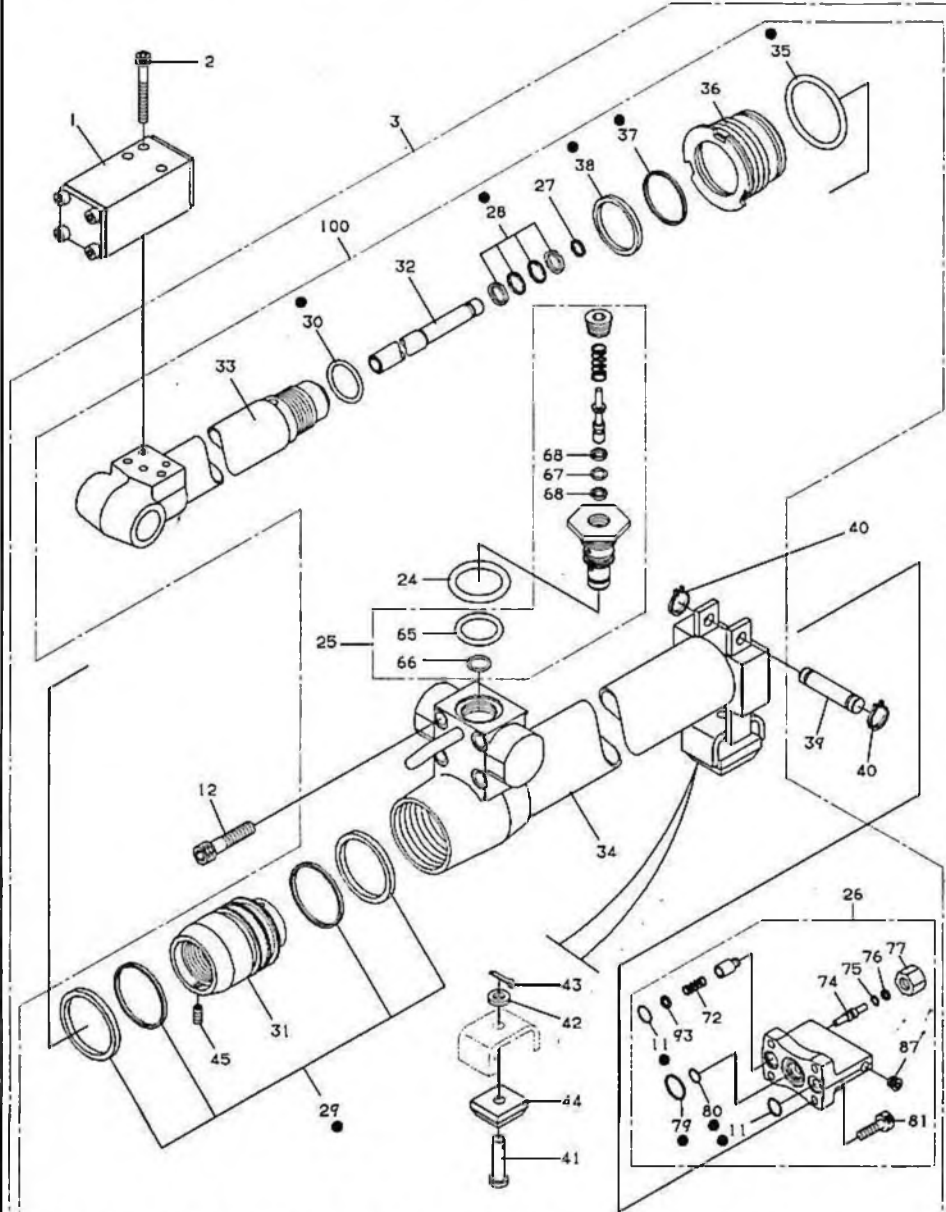




組立名称 Assembly Name	ジブ JIB	FIG. PG104-0026-01																								
仕様書番号 Specification No.	A < 310-120-20010 (2) > B < 310-120-20020 (3) > C < 310-120-20030 (4) > D < 310-120-20040 (5) > E < 310-120-20050 (6H) > F < 310-120-20110 (2 H) > G < 310-120-20120 (3 H) > H < 310-120-20130 (4 H) > I < 310-120-20140 (5 H) > J < 310-120-20150 (6H H) >																									
指示番号 Key No.	部品番号 Part No.	部品名称 Part Name	Qty Per Section													実装号機 Serial No. (変更番号 Modifi. No.)	ページ Page									
			A	B	C	D	E	F	G	H	I	J	K	L	M			N	O							
1	314-716-01100	PLATE	1	1						1	1															
2	314-700-80020	GUIDE	1	1						1	1															
3	124-313-24000	GUIDE	2	2						2	2															
4	314-716-01200	SUPPORT	1	1						1	1															
5	314-716-01300	SUPPORT	1	1						1	1															
6	314-700-80100	SUPPORT	1	1						1	1															
7	314-700-80140	SHIM	3	3						3	3															
8	314-700-80150	SHIM	2	2						2	2															
9	522-100-11000	PIN	2	2						2	2															
10	116-213-08000	PIN	2	2						2	2															
11	314-700-80160	SUPPORT	1	1						1	1															
12	314-700-80720	GUIDE	2	2						2	2															
13	314-700-80210	GUIDE	1	1						1	1															
14	314-700-80220	GUIDE	1	1						1	1															
15	314-700-80250	GUIDE	1	1						1	1															
16	801-360-50035	PIN,SPLIT 5X35	1	1						1	1															
17	314-700-80260	PIN	1	1						1	1															
18	370-003-00240	SPACER	4	4						4	4															
19	370-011-06960	ROLLER ASSY (ASSY ONLY)	1	1						1	1															
20	370-010-04510	SHEAVE ASSY (ASSY ONLY)	2	2						2	2															
21	124-313-18000	PIN	1	1						1	1															
22	314-700-80320	SPACER	1	1						1	1															
23	901-012-10016	BOLT M10X16	2	2						2	2															
24	903-020-41001	WASHER,SPRING 10	5	5						5	5															
25	902-012-01000	NUT M10	2	2						2	2															
26	907-100-10280	SCREW,SET M10X28	1	1						1	1															
27	124-313-10000	PIN	1	1						1	1															
28	124-313-15000	SHIM	N	N						N	N															
29	124-313-16000	SHIM	N	N						N	N															
30	901-012-10012	BOLT M10X12	3	3						3	3															
31	370-001-02070	PIN	1	1						1	1															
32	370-010-04350	SHEAVE ASSY (ASSY ONLY)	1	1						1	1															
33	370-001-03670	PIN	1	1						1	1															
34	114-210-10000	SPACER	1	1						1	1															
35	801-360-63045	PIN,SPLIT 6.3X45	1	1						1	1															

組立名称 シリンダ、テレスコーピ'ング
Assembly Name CYLINDER, TELESCOPING

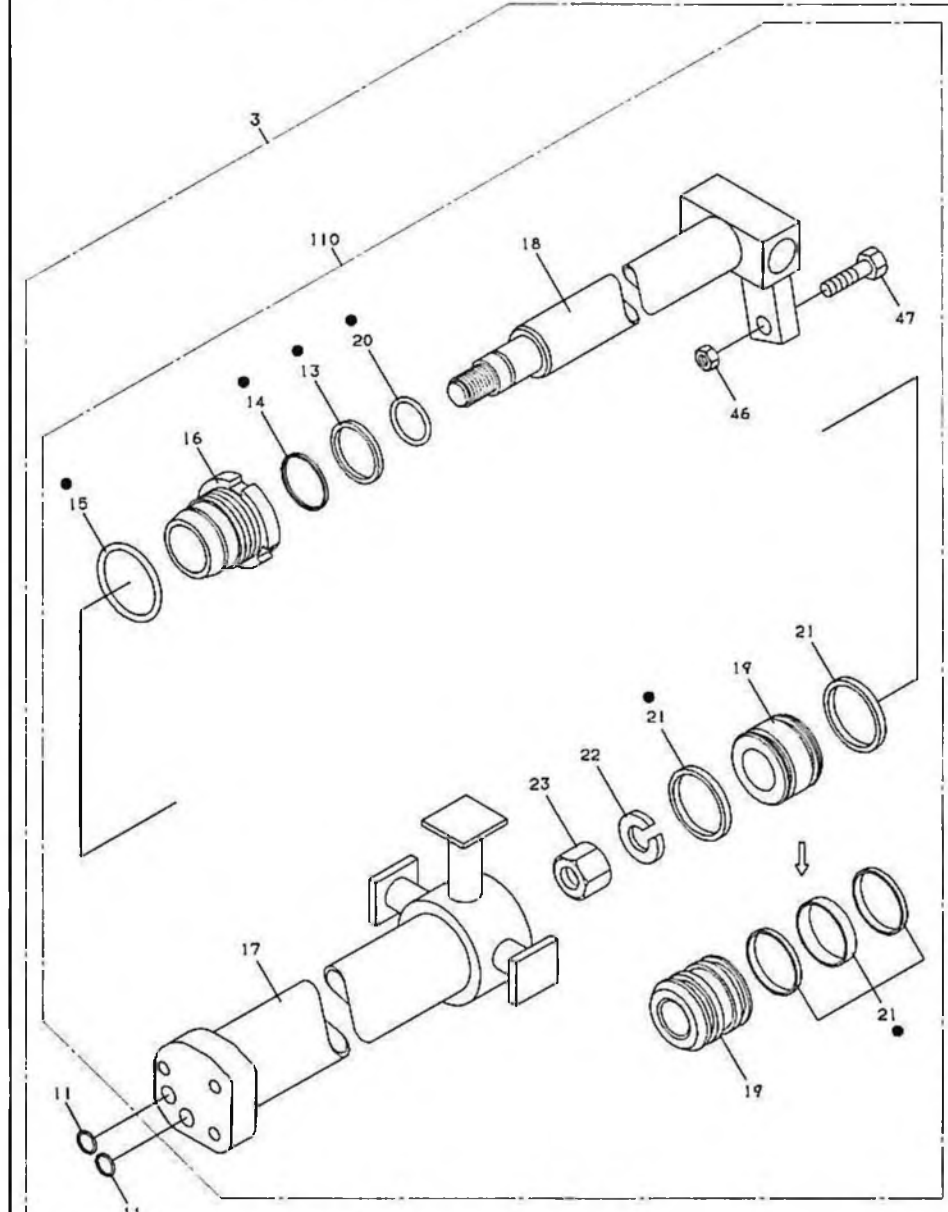
PG105-0064-04



●:PACKING KIT KEY NO.120 (KEY NO.11,28,29,30,35,37,38,79,80)

組立名称 シリンダ、テレスコーピ'ング
Assembly Name CYLINDER, TELESCOPING

PG105-0064-04



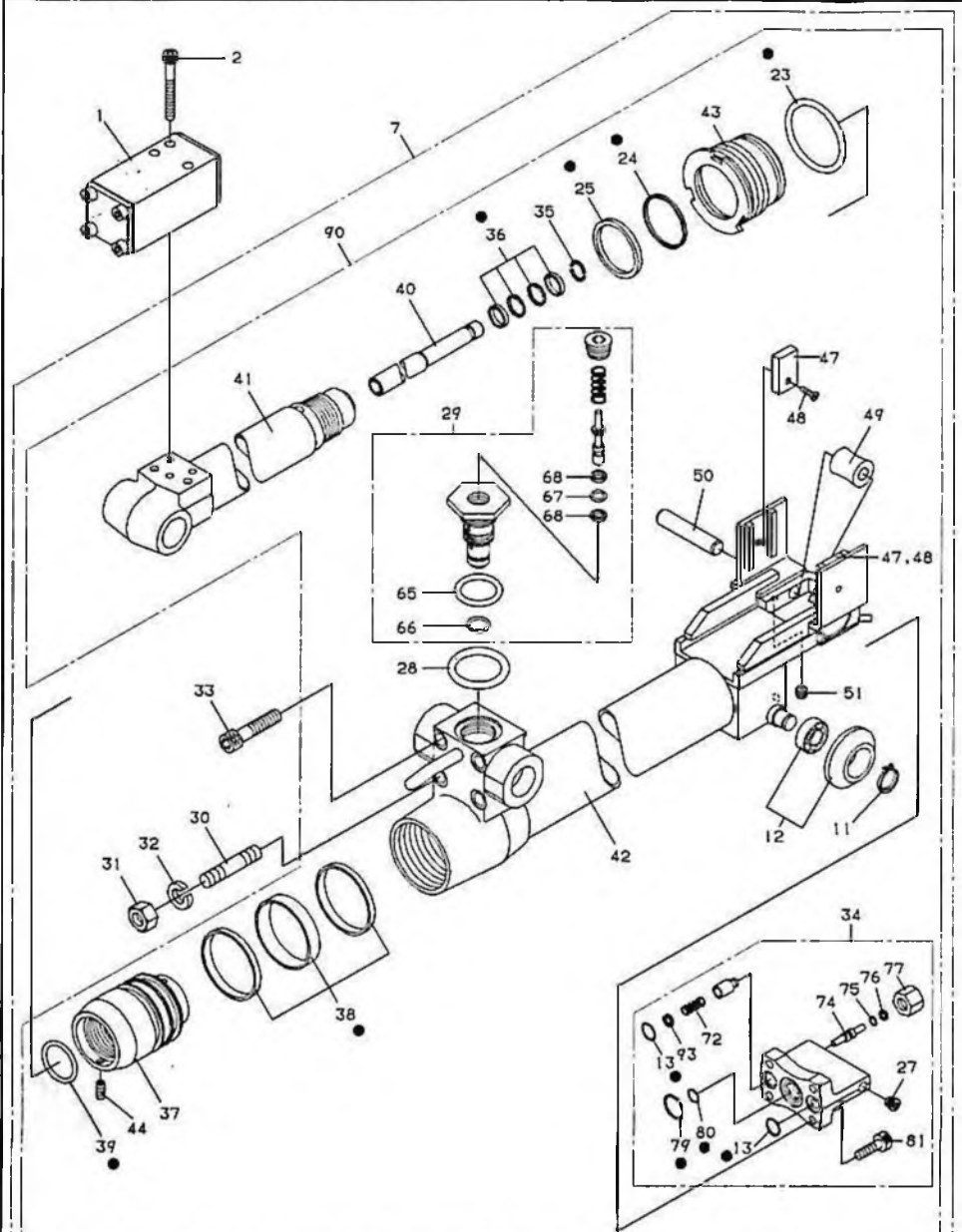
●:PACKING KIT KEY NO.130 (KEY NO.13,14,15,20,21)

組立名称 Assembly Name		シリンダ・テレスコーピング CYLINDER・TELESCOPING												FIG. PG105-0064-04						
スペック Specification	番号 No.	A < 310-120-20010 (2) > B < 310-120-20020 (3) > C < 310-120-20030 (4) > D < 310-120-20040 (5) > E < 310-120-20050 (6M) > F < 310-120-20110 (2 H) > G < 310-120-20120 (3 H) > H < 310-120-20130 (4 H) > I < 310-120-20140 (5 H) > J < 310-120-20150 (6H H) >												実務機種 (変更番号)	Serial No. Modif. (No.)	ページ Page				
		Q'ty	Per	Section	個数															
指示番号 Key No.	部品番号 Part No.	部品名称 Part Name	A	B	C	D	E	F	G	H	I	J	K	L	M	N	O			
44	360-121-50750	PLATE,SLIDE	-	1														(040005 - 2032639)	
44	360-121-50750	PLATE,SLIDE	-	1														(040006 - 044117 (2032639 - 2073555)	
44	360-121-50750	PLATE,SLIDE	-	1														(044118 - 2073555)	
45	907-500-08081	SCREW,SET H8X8	-						1									(040005 - 2032639)	
45	907-500-08081	SCREW,SET H8X8	-	1														(040006 - 044117 (2032639 - 2073555)	
45	907-500-08081	SCREW,SET H8X8	-	1														(044118 - 2073555)	
45	907-500-08081	SCREW,SET H8X8	-	1														(040006 - 044117 (2032639 - 2073555)	
45	907-500-08081	SCREW,SET H8X8	-	1														(044118 - 2073555)	
46	902-032-01400	NUT M14	-						1									(040005 - 2032639)	
46	902-032-01400	NUT M14	-	1														(040006 - 044117 (2032639 - 2073555)	
46	902-032-01400	NUT M14	-	1														(044118 - 2073555)	
46	902-032-01400	NUT M14	-	1														(040006 - 044117 (2032639 - 2073555)	
46	902-032-01400	NUT M14	-	1														(044118 - 2073555)	
47	360-100-60350	BOLT	-						1									(040005 - 2032639)	
47	360-100-60350	BOLT	-	1														(040006 - 044117 (2032639 - 2073555)	
47	360-100-60350	BOLT	-	1														(044118 - 2073555)	
47	360-100-60350	BOLT	-	1														(040006 - 044117 (2032639 - 2073555)	
47	360-100-60350	BOLT	-	1														(044118 - 2073555)	
65	910-028-02201	O-RING 1B P22A	-							1								(040005 - 2032639)	
65	910-028-02201	O-RING 1B P22A	-	1														(040006 - 044117 (2032639 - 2073555)	
65	910-028-02201	O-RING 1B P22A	-	1														(044118 - 2073555)	
65	910-028-02201	O-RING 1B P22A	-	1														(040006 - 044117 (2032639 - 2073555)	
65	910-028-02201	O-RING 1B P22A	-	1														(044118 - 2073555)	
66	910-028-01600	O-RING 1B P16	-							1								(040005 - 2032639)	
66	910-028-01600	O-RING 1B P16	-	1														(040006 - 044117 (2032639 - 2073555)	
66	910-028-01600	O-RING 1B P16	-	1														(044118 - 2073555)	
66	910-028-01600	O-RING 1B P16	-	1														(040006 - 044117 (2032639 - 2073555)	
66	910-028-01600	O-RING 1B P16	-	1														(044118 - 2073555)	
67	910-011-00700	O-RING 1A P7	-							1								(040005 - 2032639)	
67	910-011-00700	O-RING 1A P7	-	1														(040006 - 044117 (2032639 - 2073555)	
67	910-011-00700	O-RING 1A P7	-	1														(044118 - 2073555)	
67	910-011-00700	O-RING 1A P7	-	1														(040006 - 044117 (2032639 - 2073555)	
67	910-011-00700	O-RING 1A P7	-	1														(044118 - 2073555)	
68	914-110-00700	RING,BACKUP P7	-								2							(040005 - 2032639)	
68	914-110-00700	RING,BACKUP P7	-	2														(040006 - 044117 (2032639 - 2073555)	
68	914-110-00700	RING,BACKUP P7	-	2														(044118 - 2073555)	
68	914-110-00700	RING,BACKUP P7	-	2														(040006 - 044117 (2032639 - 2073555)	
68	914-110-00700	RING,BACKUP P7	-	2														(044118 - 2073555)	
72	136-160-75000	SPRING	-	1														(040005 - 2032639)	
72	136-160-75000	SPRING	-	1														(040006 - 044117 (2032639 - 2073555)	
72	136-160-75000	SPRING	-	1														(044118 - 2073555)	
72	136-160-75000	SPRING	-	1														(040006 - 044117 (2032639 - 2073555)	
72	136-160-75000	SPRING	-	1														(044118 - 2073555)	
72	370-012-01560	SPRING	-															(040005 - 2032639)	
72	370-012-01560	SPRING	-	1														(040006 - 044117 (2032639 - 2073555)	
72	370-012-01560	SPRING	-	1														(044118 - 2073555)	
72	370-012-01560	SPRING	-	1														(040006 - 044117 (2032639 - 2073555)	
72	370-012-01560	SPRING	-	1														(044118 - 2073555)	

組立名称 Assembly Name		シリンダ・テレスコーピング CYLINDER・TELESCOPING												FIG. PG105-0064-04						
スペック Specification	番号 No.	A < 310-120-20010 (2) > B < 310-120-20020 (3) > C < 310-120-20030 (4) > D < 310-120-20040 (5) > E < 310-120-20050 (6M) > F < 310-120-20110 (2 H) > G < 310-120-20120 (3 H) > H < 310-120-20130 (4 H) > I < 310-120-20140 (5 H) > J < 310-120-20150 (6H H) >												実務機種 (変更番号)	Serial No. Modif. (No.)	ページ Page				
		Q'ty	Per	Section	個数															
指示番号 Key No.	部品番号 Part No.	部品名称 Part Name	A	B	C	D	E	F	G	H	I	J	K	L	M	N	O			
74	366-200-40020	ROD	-	1														(040005 - 2032639)	
74	366-227-30200	ROD	-															(040006 - 044117 (2032639 - 2073555)	
74	366-200-40020	ROD	-	1														(044118 - 2073555)	
74	366-227-30200	ROD	-	1														(040006 - 044117 (2032639 - 2073555)	
74	366-227-30200	ROD	-	1														(044118 - 2073555)	
75	910-011-00600	O-RING 1A P6	-							1								(040005 - 2032639)	
75	910-011-00600	O-RING 1A P6	-	1														(040006 - 044117 (2032639 - 2073555)	
75	910-011-00600	O-RING 1A P6	-	1														(044118 - 2073555)	
75	910-011-00600	O-RING 1A P6	-	1														(040006 - 044117 (2032639 - 2073555)	
75	910-011-00600	O-RING 1A P6	-	1														(044118 - 2073555)	
76	914-110-00600	RING,BACKUP P6	-								1							(040005 - 2032639)	
76	914-110-00600	RING,BACKUP P6	-	1														(040006 - 044117 (2032639 - 2073555)	
76	914-110-00600	RING,BACKUP P6	-	1														(044118 - 2073555)	
76	914-110-00600	RING,BACKUP P6	-	1														(040006 - 044117 (2032639 - 2073555)	
76	914-110-00600	RING,BACKUP P6	-	1														(044118 - 2073555)	
76	914-110-00600	RING,BACKUP P6	-	1														(040006 - 044117 (2032639 - 2073555)	
76	914-110-00600	RING,BACKUP P6	-	1														(044118 - 2073555)	
77	366-201-30010	CAP	-								1							(040005 - 2032639)	
77	366-227-30400	CAP	-									1						(040006 - 044117 (2032639 - 2073555)	
77	366-201-30010	CAP	-	1														(044118 - 2073555)	
77	366-201-30010	CAP	-	1														(040006 - 044117 (2032639 - 2073555)	
77	366-201-30010	CAP	-	1														(044118 - 2073555)	
77	366-201-30010	CAP	-	1														(040006 - 044117 (2032639 - 2073555)	
77	366-201-30010	CAP	-	1														(044118 - 2073555)	
79	910-012-02500	O-RING 1A G25	-								1							(040005 - 2032639)	
79	910-012-02500	O-RING 1A G25	-	1														(040006 - 044117 (2032639 - 2073555)	
79	910-																			

組立名称 シリンダ・テレスコーピング
Assembly Name CYLINDER, TELESCOPING

PG105-0065-05

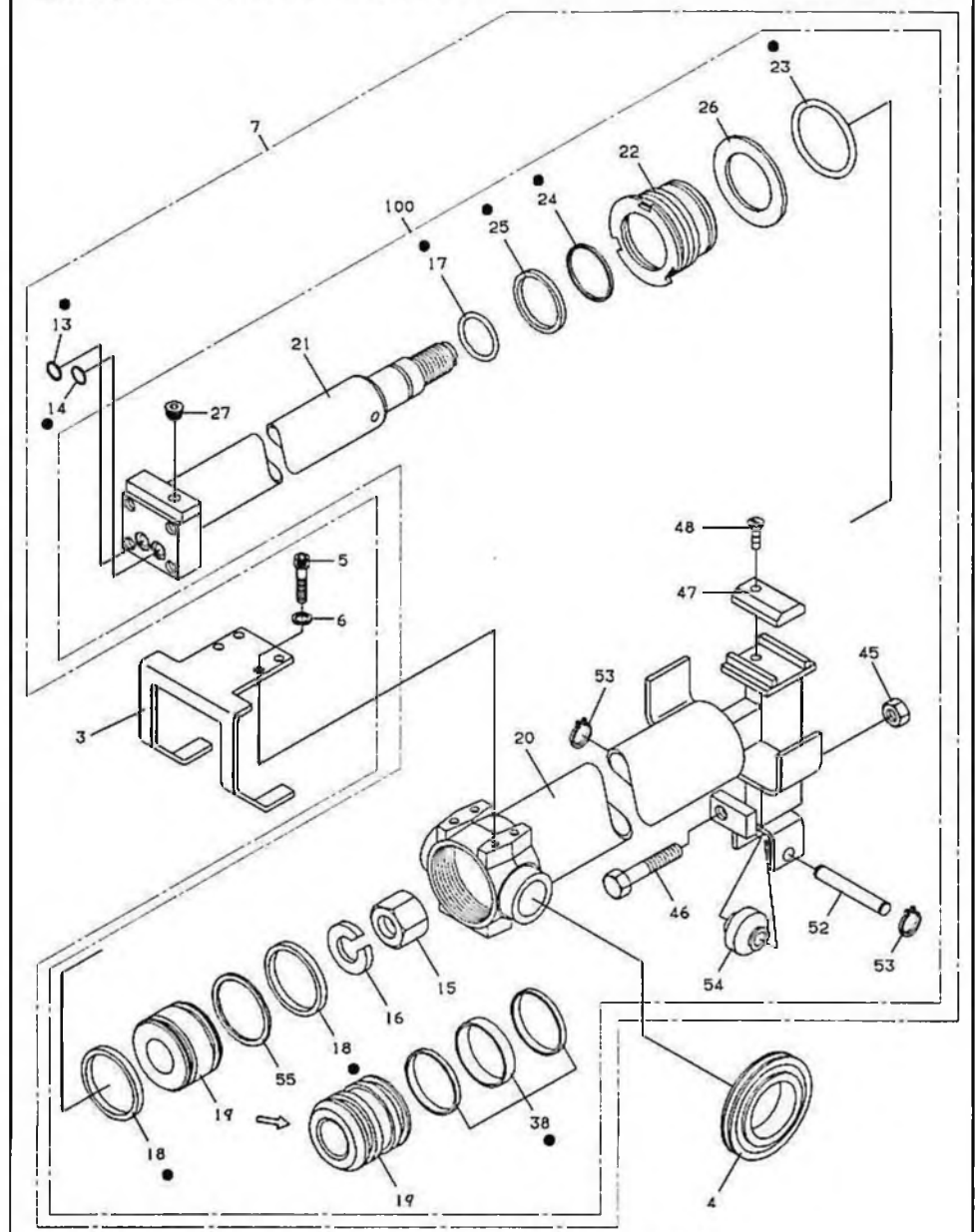


●:PACKING KIT KEY NO.110 (KEY NO.13,23,24,25,36,38,39,79,80)

*A boi new chagne c viscolom
- 137 -
Boynveon 400 cm*

組立名称 シリンダ・テレスコーピング
Assembly Name CYLINDER, TELESCOPING

PG105-0065-05



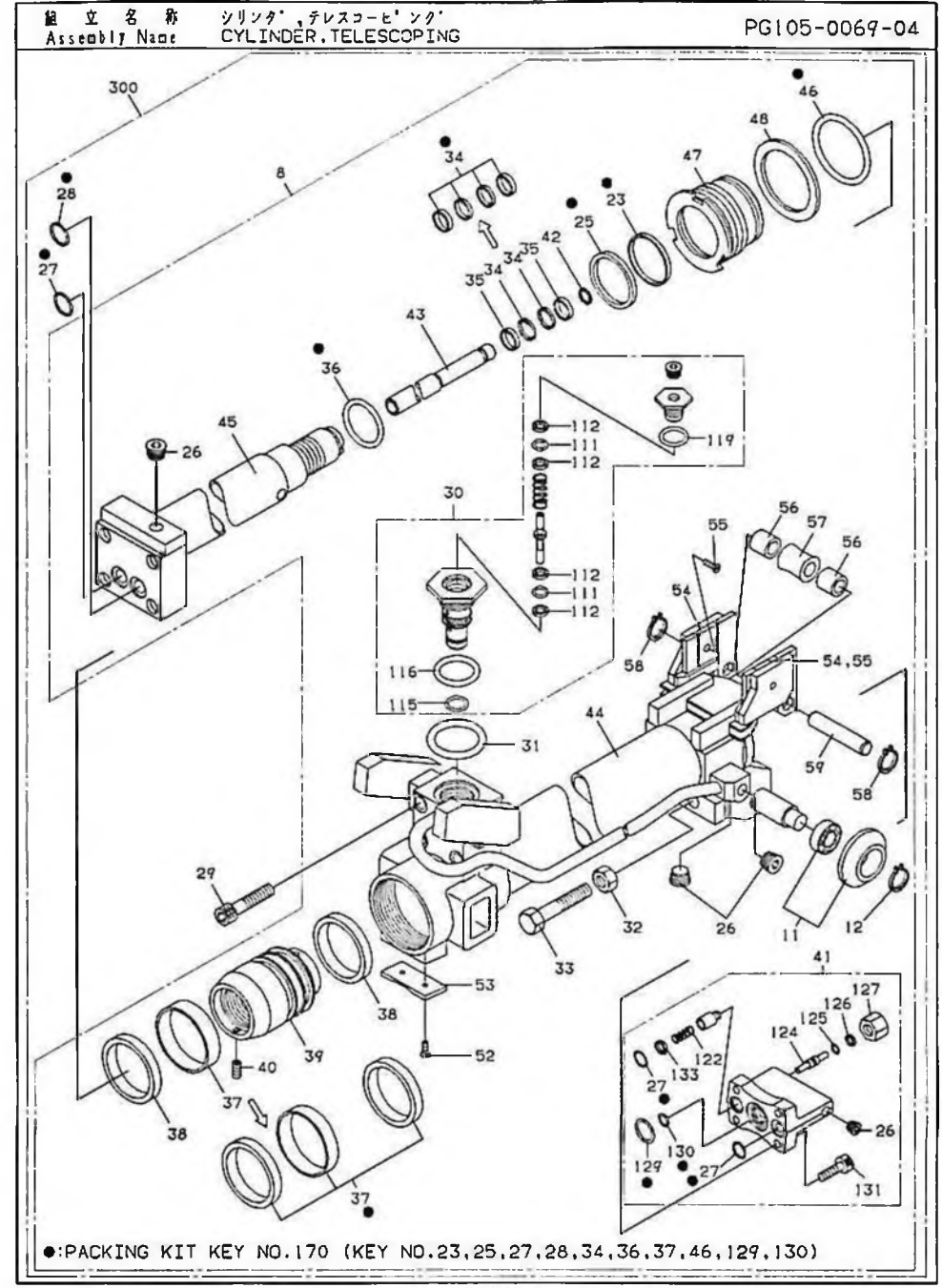
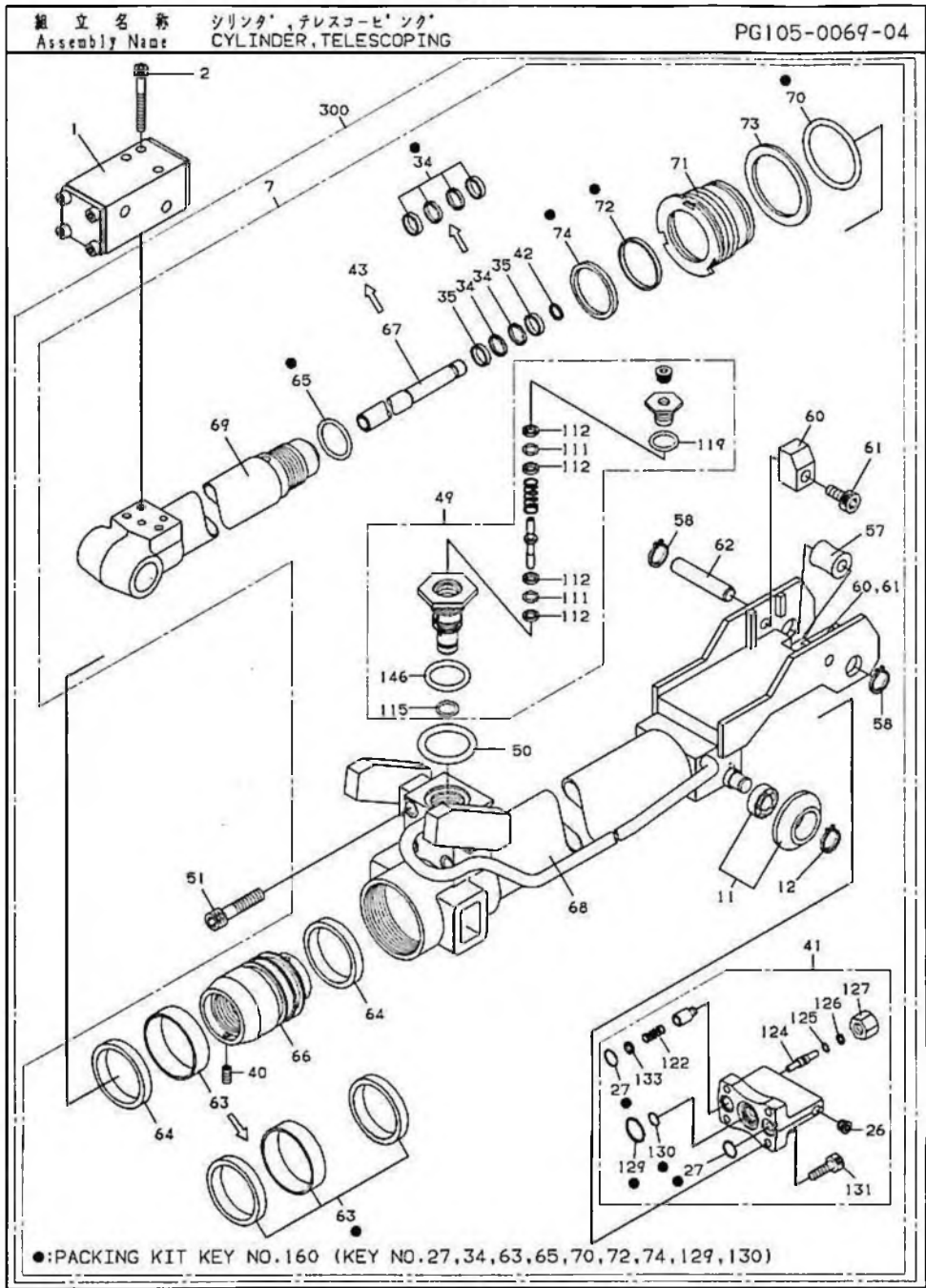
●:PACKING KIT KEY NO.120 (KEY NO.13,14,17,18,23,24,25)

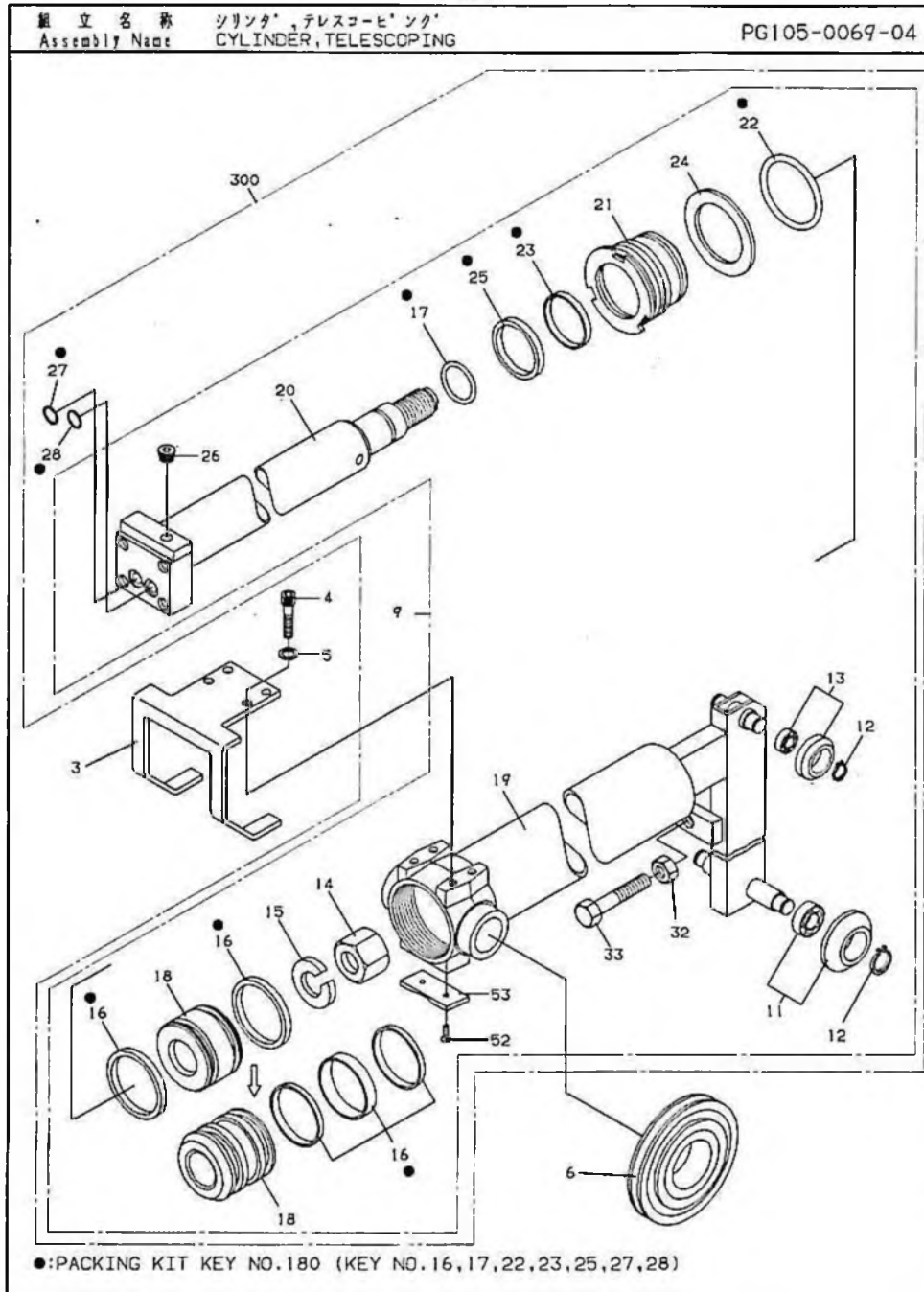
組立名称 Assembly Name		シリンダ・テレスコーピング CYLINDER, TELESCOPING		FIG. PG105-0065-05															
スペック番号 Specification No.		A < 310-120-20010 (2) > B < 310-120-20020 (3) > C < 310-120-20030 (4) > D < 310-120-20040 (5) > E < 310-120-20050 (6M) > F < 310-120-20110 (2 H) > G < 310-120-20120 (3 H) > H < 310-120-20130 (4 H) > I < 310-120-20140 (5 H) > J < 310-120-20150 (6H H) >																	
指示番号 Key No.	部品番号 Part No.	部品名称 Part Name	Qty Per Section 個数						実装号機 Serial No. (実装番号 Modifi. No.)	ページ Page									
			A	B	C	D	E	F	G	H	I	J	K	L	M	N	O		
1	366-021-10000	VALVE,COURTIERBALANCE	-	-	-	-	-	-	1	-	-	-	-	-	-	-	-		192
2	901-317-08060	BOLT,HEXAGON SOCKET H8X60	-	-	-	-	-	-	3	-	-	-	-	-	-	-	-		
3	312-101-70010	SUPPORT	-	-	-	-	-	-	1	-	-	-	-	-	-	-	-		
4	370-010-04450	SHEAVE ASSY (ASSY ONLY)	-	-	-	-	-	-	2	-	-	-	-	-	-	-	-		
5	901-319-08014	BOLT,HEXAGON SOCKET H8X14	-	-	-	-	-	-	4	-	-	-	-	-	-	-	-		
6	903-020-40801	WASHER,SPRING 8	-	-	-	-	-	-	4	-	-	-	-	-	-	-	-		
7	360-121-60000	CYLINDER ASSY	-	-	-	-	-	-	1	-	-	-	-	-	-	-	-		- 044117 - 2073554)
7	360-121-60001	CYLINDER ASSY	-	-	-	-	-	-	1	-	-	-	-	-	-	-	-		
7	360-121-60001	CYLINDER ASSY	-	-	-	-	-	-	1	-	-	-	-	-	-	-	-		044118 - (2073554 -)
11	806-011-10150	RING,RETAINING 15	-	-	-	-	-	-	2	-	-	-	-	-	-	-	-		
11	806-011-10150	RING,RETAINING 15	-	-	-	-	-	-	2	-	-	-	-	-	-	-	-		- 044117 - 2073554)
11	806-011-10150	RING,RETAINING 15	-	-	-	-	-	-	2	-	-	-	-	-	-	-	-		044118 - (2073554 -)
12	370-011-03370	ROLLER ASSY (ASSY ONLY)	-	-	-	-	-	-	2	-	-	-	-	-	-	-	-		
12	370-011-03370	ROLLER ASSY (ASSY ONLY)	-	-	-	-	-	-	2	-	-	-	-	-	-	-	-		- 044117 - 2073554)
12	370-011-03370	ROLLER ASSY (ASSY ONLY)	-	-	-	-	-	-	2	-	-	-	-	-	-	-	-		044118 - (2073554 -)
13	910-011-01400	O.RING 1A P14	-	-	-	-	-	-	3	-	-	-	-	-	-	-	-		
13	910-011-01400	O.RING 1A P14	-	-	-	-	-	-	3	-	-	-	-	-	-	-	-		- 044117 - 2073554)
13	910-011-01400	O.RING 1A P14	-	-	-	-	-	-	3	-	-	-	-	-	-	-	-		044118 - (2073554 -)
14	910-011-01000	O.RING 1A P10	-	-	-	-	-	-	1	-	-	-	-	-	-	-	-		
14	910-011-01000	O.RING 1A P10	-	-	-	-	-	-	1	-	-	-	-	-	-	-	-		- 044117 - 2073554)
14	910-011-01000	O.RING 1A P10	-	-	-	-	-	-	1	-	-	-	-	-	-	-	-		044118 - (2073554 -)
15	902-092-02700	NUT M27X2	-	-	-	-	-	-	1	-	-	-	-	-	-	-	-		
15	902-092-02700	NUT M27X2	-	-	-	-	-	-	1	-	-	-	-	-	-	-	-		- 044117 - 2073554)
15	902-092-02700	NUT M27X2	-	-	-	-	-	-	1	-	-	-	-	-	-	-	-		044118 - (2073554 -)
16	903-020-42701	WASHER,SPRING 27	-	-	-	-	-	-	1	-	-	-	-	-	-	-	-		
16	903-020-42701	WASHER,SPRING 27	-	-	-	-	-	-	1	-	-	-	-	-	-	-	-		- 044117 - 2073554)
16	903-020-42701	WASHER,SPRING 27	-	-	-	-	-	-	1	-	-	-	-	-	-	-	-		044118 - (2073554 -)
17	910-029-03000	O.RING 1B G30	-	-	-	-	-	-	1	-	-	-	-	-	-	-	-		
17	910-029-03000	O.RING 1B G30	-	-	-	-	-	-	1	-	-	-	-	-	-	-	-		- 044117 - 2073554)
17	910-029-03000	O.RING 1B G30	-	-	-	-	-	-	1	-	-	-	-	-	-	-	-		044118 - (2073554 -)
18	916-840-06500	PACKING	-	-	-	-	-	-	2	-	-	-	-	-	-	-	-		
18	916-840-06500	PACKING	-	-	-	-	-	-	2	-	-	-	-	-	-	-	-		- 044661 - 2079375)
19	360-121-40101	PISTON	-	-	-	-	-	-	1	-	-	-	-	-	-	-	-		044118 - 044661 (2073554 - 2079375)
19	360-121-40101	PISTON	-	-	-	-	-	-	1	-	-	-	-	-	-	-	-		040047 - 2034350)
19	360-121-40101	PISTON	-	-	-	-	-	-	1	-	-	-	-	-	-	-	-		044118 - 040047 (2073554 - 2034350)
19	360-121-60600	PISTON	-	-	-	-	-	-	1	-	-	-	-	-	-	-	-		- 044661 - 2079375)

組立名称 Assembly Name		シリンダ・テレスコーピング CYLINDER, TELESCOPING		FIG. PG105-0065-05															
スペック番号 Specification No.		A < 310-120-20010 (2) > B < 310-120-20020 (3) > C < 310-120-20030 (4) > D < 310-120-20040 (5) > E < 310-120-20050 (6M) > F < 310-120-20110 (2 H) > G < 310-120-20120 (3 H) > H < 310-120-20130 (4 H) > I < 310-120-20140 (5 H) > J < 310-120-20150 (6H H) >																	
指示番号 Key No.	部品番号 Part No.	部品名称 Part Name	Qty Per Section 個数						実装号機 Serial No. (実装番号 Modifi. No.)	ページ Page									
			A	B	C	D	E	F	G	H	I	J	K	L	M	N	O		
19	360-121-60600	PISTON	-	-	-	-	-	-	2	-	-	-	-	-	-	-	-		040048 - 044661 (2034350 - 2079375)
19	360-121-40102	PISTON	-	-	-	-	-	-	1	-	-	-	-	-	-	-	-		044662 - (2079375 -)
19	360-121-40102	PISTON	-	-	-	-	-	-	1	-	-	-	-	-	-	-	-		044662 - 044117 (2079375 - 2073554)
20	360-121-60300	CYLINDER	-	-	-	-	-	-	1	-	-	-	-	-	-	-	-		- 044117 - 2073554)
20	360-121-60300	CYLINDER	-	-	-	-	-	-	1	-	-	-	-	-	-	-	-		
20	360-121-60300	CYLINDER	-	-	-	-	-	-	1	-	-	-	-	-	-	-	-		044118 - (2073554 -)
21	360-121-60500	ROD	-	-	-	-	-	-	1	-	-	-	-	-	-	-	-		- 044117 - 2073554)
21	360-121-60500	ROD	-	-	-	-	-	-	1	-	-	-	-	-	-	-	-		044118 - (2073554 -)
21	360-121-60500	ROD	-	-	-	-	-	-	1	-	-	-	-	-	-	-	-		
22	360-104-10441	COVER,ROD	-	-	-	-	-	-	1	-	-	-	-	-	-	-	-		
22	360-104-10441	COVER,ROD	-	-	-	-	-	-	1	-	-	-	-	-	-	-	-		- 044117 - 2073554)
22	360-104-10441	COVER,ROD	-	-	-	-	-	-	1	-	-	-	-	-	-	-	-		044118 - (2073554 -)
23	910-029-06000	O.RING 1B G60	-	-	-	-	-	-	2	-	-	-	-	-	-	-	-		
23	910-029-06000	O.RING 1B G60	-	-	-	-	-	-	2	-	-	-	-	-	-	-	-		- 044117 - 2073554)
23	910-029-06000	O.RING 1B G60	-	-	-	-	-	-	2	-	-	-	-	-	-	-	-		044118 - (2073554 -)
24	916-940-04500	PACKING	-	-	-	-	-	-	2	-	-	-	-	-	-	-	-		
24	916-940-04500	PACKING	-	-	-	-	-	-	2	-	-	-	-	-	-	-	-		- 044117 - 2073554)
24	916-940-04500	PACKING	-	-	-	-	-	-	2	-	-	-	-	-	-	-	-		044118 - (2073554 -)
25	916-600-04501	SEAL,DUST	-	-	-	-	-	-	2	-	-	-	-	-	-	-	-		
25	916-600-04501	SEAL,DUST	-	-	-	-	-	-	2	-	-	-	-	-	-	-	-		- 044117 - 2073554)
25	916-600-04501	SEAL,DUST	-	-	-	-	-	-	2	-	-	-	-	-	-	-	-		044118 - (2073554 -)
26	360-104-10200	PLATE	-	-	-	-	-	-	1	-	-	-	-	-	-	-	-		
26	360-104-10200	PLATE	-	-	-	-	-	-	1	-	-	-	-	-	-	-	-		- 044117 - 2073554)
26	360-104-10200	PLATE	-	-	-	-	-	-	1	-	-	-	-	-	-	-	-		044118 - (2073554 -)
27	803-160-30020	PLUG PT1/8	-	-	-	-	-	-	1	-	-	-	-	-	-	-	-		
27	803-160-30020	PLUG PT1/8	-	-	-	-	-	-	1	-	-	-	-	-	-	-	-		- 044117 - 2073554)
27	803-160-30020	PLUG PT1/8	-	-	-	-	-	-	1	-	-	-	-	-	-	-	-		044118 - (2073554 -)
27	803-160-90020	PLUG PT1/8	-	-	-	-	-	-	1	-	-	-	-	-	-	-	-		044118 - (2073554 -)
27	803-160-90020	PLUG PT1/8	-	-	-	-	-	-	1	-	-	-	-	-	-	-	-		- 044117 - 2073554)
27	803-160-90020	PLUG PT1/8	-	-	-	-	-	-	1	-	-	-	-	-	-	-	-		
28	910-011-03800	O.RING 1A P38	-	-	-	-	-	-	1	-	-	-	-	-	-	-	-		
28	910-011-03800	O.RING 1A P38	-	-	-	-	-	-	1	-	-	-	-	-	-	-	-		- 044117 - 2073554)
28	910-011-03800	O.RING 1A P38	-	-	-	-	-	-	1	-	-	-	-	-	-	-	-		044118 - (2073554 -)
29	360-121-50700	VALVE ASSY,CHECK	-	-	-	-	-	-	1	-	-	-	-	-	-	-	-		
29	360-121-50700	VALVE ASSY,CHECK	-	-	-	-	-	-	1	-	-	-	-	-	-	-	-		- 044117 - 2073554)

組立名称 Assembly Name		シリンダ・テレスコピック CYLINDER-TELESCOPING										FIG. PG105-0065-05						
スペック番号 Specification No.	部品番号 Part No.	A < 310-120-20010 (2) > B < 310-120-20020 (3) > C < 310-120-20030 (4) > D < 310-120-20040 (5) > E < 310-120-20050 (6H) > F < 310-120-20110 (2 H) > G < 310-120-20120 (3 H) > H < 310-120-20130 (4 H) > I < 310-120-20140 (5 H) > J < 310-120-20150 (6H H) >										ページ Page						
指示番号 Key No.	部品番号 Part No.	部品名称 Part Name	Qty Per Section 個数										実装号 Serial No. (変更番号 Modifi. No.)	ページ Page				
			A	B	C	D	E	F	G	H	I	J			K	L	M	N
29	360-121-50700	VALVE ASSY,CHECK	-	-	-	-	-	-	-	-	-	-	-	-	-	-	044118 - (2073554 -)	
30	901-413-12070	BOLT,STUD	-	-	-	-	-	-	-	-	-	-	-	-	-	-	- 044117 (2073554 -)	
30	901-413-12070	BOLT,STUD	-	-	-	-	-	-	-	-	-	-	-	-	-	-	044118 - (2073554 -)	
30	901-413-12070	BOLT,STUD	-	-	-	-	-	-	-	-	-	-	-	-	-	-	044118 - (2073554 -)	
31	902-017-01200	NUT M12	-	-	-	-	-	-	-	-	-	-	-	-	-	-	- 044117 (2073554 -)	
31	902-017-01200	NUT M12	-	-	-	-	-	-	-	-	-	-	-	-	-	-	044118 - (2073554 -)	
32	903-020-41201	WASHER,SPRING 12	-	-	-	-	-	-	-	-	-	-	-	-	-	-	- 044117 (2073554 -)	
32	903-020-41201	WASHER,SPRING 12	-	-	-	-	-	-	-	-	-	-	-	-	-	-	044118 - (2073554 -)	
32	903-020-41201	WASHER,SPRING 12	-	-	-	-	-	-	-	-	-	-	-	-	-	-	044118 - (2073554 -)	
33	901-317-12065	BOLT,HEXAGON SOCKET	-	-	-	-	-	-	-	-	-	-	-	-	-	-	- 044117 (2073554 -)	
33	901-317-12065	BOLT,HEXAGON SOCKET	-	-	-	-	-	-	-	-	-	-	-	-	-	-	044118 - (2073554 -)	
33	901-317-12065	BOLT,HEXAGON SOCKET	-	-	-	-	-	-	-	-	-	-	-	-	-	-	- 044117 (2073554 -)	
34	366-201-30000	VALVE,CHECK	-	-	-	-	-	-	-	-	-	-	-	-	-	-	- 044117 (2073554 -)	
34	366-227-30000	VALVE ASSY,CHECK	-	-	-	-	-	-	-	-	-	-	-	-	-	-	- 044117 (2073554 -)	
34	366-227-30000	VALVE ASSY,CHECK	-	-	-	-	-	-	-	-	-	-	-	-	-	-	044118 - (2073554 -)	
35	360-100-60360	STOPPER	-	-	-	-	-	-	-	-	-	-	-	-	-	-	- 044117 (2073554 -)	
35	360-100-60360	STOPPER	-	-	-	-	-	-	-	-	-	-	-	-	-	-	044118 - (2073554 -)	
35	360-100-60360	STOPPER	-	-	-	-	-	-	-	-	-	-	-	-	-	-	- 044117 (2073554 -)	
36	370-004-02120	BEARING,PLAIN ASSY (WITH PACKINGX2)	-	-	-	-	-	-	-	-	-	-	-	-	-	-	- 044117 (2073554 -)	
36	370-004-02120	BEARING,PLAIN ASSY (WITH PACKINGX2)	-	-	-	-	-	-	-	-	-	-	-	-	-	-	044118 - (2073554 -)	
37	360-100-60051	PISTON	-	-	-	-	-	-	-	-	-	-	-	-	-	-	- 044117 (2073554 -)	
37	360-100-60051	PISTON	-	-	-	-	-	-	-	-	-	-	-	-	-	-	044118 - (2073554 -)	
37	360-100-60051	PISTON	-	-	-	-	-	-	-	-	-	-	-	-	-	-	- 044117 (2073554 -)	
38	913-502-06500	BEARING,PLAIN ASSY (WITH PACKINGX2)	-	-	-	-	-	-	-	-	-	-	-	-	-	-	- 044117 (2073554 -)	
38	913-502-06500	BEARING,PLAIN ASSY (WITH PACKINGX2)	-	-	-	-	-	-	-	-	-	-	-	-	-	-	044118 - (2073554 -)	
38	913-502-06500	BEARING,PLAIN ASSY (WITH PACKINGX2)	-	-	-	-	-	-	-	-	-	-	-	-	-	-	- 044662 (2079375 -)	
38	913-502-06500	BEARING,PLAIN ASSY (WITH PACKINGX2)	-	-	-	-	-	-	-	-	-	-	-	-	-	-	044662 - 044117 (2079375 - 2073554)	
38	913-502-06500	BEARING,PLAIN ASSY (WITH PACKINGX2)	-	-	-	-	-	-	-	-	-	-	-	-	-	-	- 044117 (2073554 -)	
39	910-029-03500	O.RING 1R G35	-	-	-	-	-	-	-	-	-	-	-	-	-	-	- 044117 (2073554 -)	
39	910-029-03500	O.RING 1R G35	-	-	-	-	-	-	-	-	-	-	-	-	-	-	044118 - (2073554 -)	
39	910-029-03500	O.RING 1R G35	-	-	-	-	-	-	-	-	-	-	-	-	-	-	- 044117 (2073554 -)	
40	360-116-71700	PIPE	-	-	-	-	-	-	-	-	-	-	-	-	-	-	- 044117 (2073554 -)	
40	360-116-71700	PIPE	-	-	-	-	-	-	-	-	-	-	-	-	-	-	- 044629 (2075735)	

組立名称 Assembly Name		シリンダ・テレスコピック CYLINDER-TELESCOPING										FIG. PG105-0065-05						
スペック番号 Specification No.	部品番号 Part No.	A < 310-120-20010 (2) > B < 310-120-20020 (3) > C < 310-120-20030 (4) > D < 310-120-20040 (5) > E < 310-120-20050 (6H) > F < 310-120-20110 (2 H) > G < 310-120-20120 (3 H) > H < 310-120-20130 (4 H) > I < 310-120-20140 (5 H) > J < 310-120-20150 (6H H) >										ページ Page						
指示番号 Key No.	部品番号 Part No.	部品名称 Part Name	Qty Per Section 個数										実装号 Serial No. (変更番号 Modifi. No.)	ページ Page				
			A	B	C	D	E	F	G	H	I	J			K	L	M	N
40	360-116-71500	PIPE	-	-	-	-	-	-	-	-	-	-	-	-	-	-	044630 - (2075735 -)	
40	360-116-71700	PIPE	-	-	-	-	-	-	-	-	-	-	-	-	-	-	044118 - 044629 (2073554 - 2075735)	
41	360-121-50300	ROD	-	-	-	-	-	-	-	-	-	-	-	-	-	-	- 044117 (2073554 -)	
41	360-121-50300	ROD	-	-	-	-	-	-	-	-	-	-	-	-	-	-	044118 - (2073554 -)	
41	360-121-50300	ROD	-	-	-	-	-	-	-	-	-	-	-	-	-	-	- 044117 (2073554 -)	
42	360-121-60100	CYLINDER	-	-	-	-	-	-	-	-	-	-	-	-	-	-	044117 - (2073554 -)	
42	360-121-61000	CYLINDER	-	-	-	-	-	-	-	-	-	-	-	-	-	-	- 044117 (2073554 -)	
42	360-121-61000	CYLINDER	-	-	-	-	-	-	-	-	-	-	-	-	-	-	044118 - (2073554 -)	
43	360-100-60182	COVER,ROD	-	-	-	-	-	-	-	-	-	-	-	-	-	-	- 044117 (2073554 -)	
43	360-100-60182	COVER,ROD	-	-	-	-	-	-	-	-	-	-	-	-	-	-	044118 - (2073554 -)	
43	360-100-60182	COVER,ROD	-	-	-	-	-	-	-	-	-	-	-	-	-	-	- 044117 (2073554 -)	
44	907-500-08081	SCREW,SET M8X8	-	-	-	-	-	-	-	-	-	-	-	-	-	-	- 044117 (2073554 -)	
44	907-500-08081	SCREW,SET M8X8	-	-	-	-	-	-	-	-	-	-	-	-	-	-	044118 - (2073554 -)	
44	907-500-08061	SCREW,SET M8X8	-	-	-	-	-	-	-	-	-	-	-	-	-	-	- 044117 (2073554 -)	
45	902-032-01400	NUT M14	-	-	-	-	-	-	-	-	-	-	-	-	-	-	- 044117 (2073554 -)	
45	902-032-01400	NUT M14	-	-	-	-	-	-	-	-	-	-	-	-	-	-	044118 - (2073554 -)	
46	360-100-60350	BOLT	-	-	-	-	-	-	-	-	-	-	-	-	-	-	- 044117 (2073554 -)	
46	360-100-60350	BOLT	-	-	-	-	-	-	-	-	-	-	-	-	-	-	044118 - (2073554 -)	
46	360-100-60350	BOLT	-	-	-	-	-	-	-	-	-	-	-	-	-	-	- 044117 (2073554 -)	
47	370-020-01800	PLATE,SLIDE	-	-	-	-	-	-	-	-	-	-	-	-	-	-	- 044117 (2073554 -)	
47	370-020-01800	PLATE,SLIDE	-	-	-	-	-	-	-	-	-	-	-	-	-	-	044118 - (2073554 -)	
47	370-020-01800	PLATE,SLIDE	-	-	-	-	-	-	-	-	-	-	-	-	-	-	- 044117 (2073554 -)	
48	801-852-06012	SCREW,MACHINE M6X12	-	-	-	-	-	-	-	-	-	-	-	-	-	-	- 044117 (2073554 -)	
48	801-852-06012	SCREW,MACHINE M6X12	-	-	-	-	-	-	-	-	-	-	-	-	-	-	044118 - (2073554 -)	
48	801-852-06012	SCREW,MACHINE M6X12	-	-	-	-	-	-	-	-	-	-	-	-	-	-	- 044117 (2073554 -)	
49	370-011-01900	ROLLER	-	-	-	-	-	-	-	-	-	-	-	-	-	-	- 044117 (2073554 -)	
49	370-011-01900	ROLLER	-	-	-	-	-	-	-	-	-	-	-	-	-	-	044118 - (2073554 -)	
49	370-011-01900	ROLLER	-	-	-	-	-	-	-	-	-	-	-	-	-	-	- 044117 (2073554 -)	
50	370-001-34670	PIN	-	-	-	-	-	-	-	-	-	-	-	-	-	-	- 044117 (2073554 -)	
50	370-001-34670	PIN	-	-	-	-	-	-	-	-	-	-	-	-	-	-	044118 - (2073554 -)	
51	907-500-06061	SCREW,SET	-	-	-	-	-	-	-	-	-	-	-	-	-	-	- 044117 (2073554 -)	
51	907-500-06061	SCREW,SET	-	-	-	-	-	-	-	-	-	-	-	-	-	-	044118 - (2073554 -)	
51	907-500-06061	SCREW,SET	-	-	-	-	-	-	-	-	-	-	-	-	-	-	- 044117 (2073554 -)	





組立名称 シリンダ、テレスコーピック
 Assembly Name CYLINDER, TELESCOPING FIG. PG105-0069-04

仕様番号 A < 310-120-20010 (2) > B < 310-120-20020 (3) > C < 310-120-20030 (4) >
 D < 310-120-20040 (5) > E < 310-120-20050 (6H) > F < 310-120-20110 (2 H) >
 G < 310-120-20120 (3 H) > H < 310-120-20130 (4 H) > I < 310-120-20140 (5 H) >
 J < 310-120-20150 (6H H) >

指示番号 Key No.	部品番号 Part No.	部品名称 Part Name	Qty Per Section 個数													実務符号 (変更番号)	Serial No. Modifi. No.)	ページ Page	
			A	B	C	D	E	F	G	H	I	J	K	L	M				N
1	366-021-10000	VALVE, COUNTERBALANCE				1													192
2	901-317-08060	BOLT, HEXAGON SOCKET H8X60							3										
3	312-102-11000	SUPPORT							1										
4	901-315-08014	BOLT, HEXAGON SOCKET H8X14							4										
5	903-020-40801	WASHER, SPRING 8							4										
6	370-010-04590	SHEAVE ASSY													2				
7	360-116-79530	CYLINDER ASSY NO.1							1									044117 - 2073578)	
7	360-116-79531	CYLINDER ASSY NO.1													1				
7	360-116-79531	CYLINDER ASSY NO.1							1								044118 - (2073578 -)		
8	360-116-79520	CYLINDER ASSY NO.2							1									044117 - 2073578)	
8	360-116-79521	CYLINDER ASSY NO.2													1				
8	360-116-79521	CYLINDER ASSY NO.2							1								044118 - (2073578 -)		
9	360-116-79510	CYLINDER ASSY NO.3													1				
9	360-116-79510	CYLINDER ASSY NO.3							1									044117 - 2073578)	
9	360-116-79510	CYLINDER ASSY NO.3													1		044118 - (2073578 -)		
11	370-011-03370	ROLLER ASSY (ASSY ONLY)													6				
11	370-011-03370	ROLLER ASSY (ASSY ONLY)							6									044117 - 2073578)	
11	370-011-03370	ROLLER ASSY (ASSY ONLY)							6								044118 - (2073578 -)		
12	806-011-10150	RING, RETAINING 15													8				
12	806-011-10150	RING, RETAINING 15													8			044117 - 2073578)	
12	806-011-10150	RING, RETAINING 15							8								044118 - (2073578 -)		
13	370-011-00390	ROLLER ASSY (ASSY ONLY)													2				
13	370-011-00390	ROLLER ASSY (ASSY ONLY)							2									044117 - 2073578)	
13	370-011-00390	ROLLER ASSY (ASSY ONLY)							2								044118 - (2073578 -)		
14	902-092-02700	NUT M27X2													1				
14	902-092-02700	NUT M27X2							1									044117 - 2073578)	
14	902-092-02700	NUT M27X2													1		044118 - (2073578 -)		
15	903-020-42701	WASHER, SPRING 27													1				
15	903-020-42701	WASHER, SPRING 27							1									044117 - 2073578)	
15	903-020-42701	WASHER, SPRING 27							1								044118 - (2073578 -)		
16	915-003-05504	PACKING ODI 55456							2									040049 - 2032186)	
16	915-003-05504	PACKING ODI 55456							2								044118 - (2073578 -)	040049 - 2032186)	
16	916-841-05500	PACKING													2			044780 - 2079904)	
16	916-841-05500	PACKING							4								040050 - (2032186 - 2079904)	044780 - 2079904)	
16	913-502-05500	BEARING, PLAIN ASSY (WITH PACKINGX2)							1						1		044781 - (2079904 -)		

組立名称 Assembly Name		シリンダ・テレスコピック CYLINDER・TELESCOPING		FIG. PG105-0069-04															
スペック番号 Specification No.	A < 310-120-20010 (2) > B < 310-120-20020 (3) > C < 310-120-20030 (4) > D < 310-120-20040 (5) > E < 310-120-20050 (6M) > F < 310-120-20110 (2 H) > G < 310-120-20120 (3 H) > H < 310-120-20130 (4 H) > I < 310-120-20140 (5 H) > J < 310-120-20150 (6M H) >																		
指示番号 Key No.	部品番号 Part No.	部品名称 Part Name	Qty Per Section 個数										実装号機 (変更番号 Modifi. No.)	ページ Page					
			A	B	C	D	E	F	G	H	I	J			K	L	M	N	O
16	913-502-05500	BEARING,PLAIN ASSY (WITH PACKINGX2)			1													044781 - 044117 (2079904 - 2073578)	
17	910-029-02500	O.RING 1B G25								1								- 044117 - 2073578)	
17	910-029-02500	O.RING 1B G25			1													- 044117 (2073578 -)	
17	910-029-02500	O.RING 1B G25			1													044118 - (2073578 -)	
18	360-100-60310	PISTON			1													040049 - (2032186 -)	
18	360-100-60310	PISTON			1													044118 - 040049 (2073578 - 2032186)	
18	360-121-50600	PISTON								1								- 044780 - 2079904)	
18	360-121-50600	PISTON			2													040050 - 044780 (2032186 - 2079904)	
18	360-313-63000	PISTON								1								044781 - (2079904 -)	
18	360-313-63000	PISTON								1								044781 - (2079904 - 044117 (2079904 - 2073578)	
19	360-116-70100	CYLINDER								1								- 044117 - 2073578)	
19	360-116-70100	CYLINDER			1													044118 - (2073578 -)	
19	360-116-70100	CYLINDER			1													- 044118 (2073578 -)	
20	360-116-70200	ROD								1								- 044117 - 2073578)	
20	360-116-70200	ROD			1													044118 - (2073578 -)	
20	360-116-70200	ROD			1													044118 - (2073578 -)	
21	360-105-44001	COVER,ROD								1								- 044117 - 2073578)	
21	360-105-44001	COVER,ROD			1													044118 - (2073578 -)	
21	360-105-44001	COVER,ROD			1													- 044117 - 2073578)	
22	910-029-05000	O.RING 1D G50								1								044118 - (2073578 -)	
22	910-029-05000	O.RING 1B G50			1													- 044117 - 2073578)	
22	910-029-05000	O.RING 1B G50			1													044118 - (2073578 -)	
23	916-940-04000	PACKING								2								- 044117 - 2073578)	
23	916-940-04000	PACKING			2													044118 - (2073578 -)	
23	916-940-04000	PACKING			2													- 044117 - 2073578)	
24	360-105-45000	PLATE								1								044118 - (2073578 -)	
24	360-105-45000	PLATE			1													- 044117 - 2073578)	
24	360-105-45000	PLATE			1													044118 - (2073578 -)	
25	916-600-04001	SEAL,DUST								2								- 044117 - 2073578)	
25	916-600-04001	SEAL,DUST			2													044118 - (2073578 -)	
25	916-600-04001	SEAL,DUST			2													- 044117 - 2073578)	
26	803-160-30020	PLUG PT1/8								4								- 044117 - 2073578)	
26	803-160-30020	PLUG PT1/8			4													044118 - (2073578 -)	
26	803-160-90020	PLUG PT1/8								2								- 044117 - 2073578)	
26	803-160-30020	PLUG PT1/8			4													044118 - (2073578 -)	

組立名称 Assembly Name		シリンダ・テレスコピック CYLINDER・TELESCOPING		FIG. PG105-0069-04															
スペック番号 Specification No.	A < 310-120-20010 (2) > B < 310-120-20020 (3) > C < 310-120-20030 (4) > D < 310-120-20040 (5) > E < 310-120-20050 (6M) > F < 310-120-20110 (2 H) > G < 310-120-20120 (3 H) > H < 310-120-20130 (4 H) > I < 310-120-20140 (5 H) > J < 310-120-20150 (6M H) >																		
指示番号 Key No.	部品番号 Part No.	部品名称 Part Name	Qty Per Section 個数										実装号機 (変更番号 Modifi. No.)	ページ Page					
			A	B	C	D	E	F	G	H	I	J			K	L	M	N	O
26	803-160-90020	PLUG PT1/8			2													044118 - (2073578 -)	
26	803-160-90020	PLUG PT1/8			2													- 044117 (- 2073578)	
27	910-011-01400	O.RING 1A P14								6								- 044117 (- 2073578)	
27	910-011-01400	O.RING 1A P14			6													- 044117 (- 2073578)	
27	910-011-01400	O.RING 1A P14			6													044118 - (2073578 -)	
28	910-011-01000	O.RING 1A P10								2								- 044117 - 2073578)	
28	910-011-01000	O.RING 1A P10			2													044118 - (2073578 -)	
28	910-011-01000	O.RING 1A P10			2													- 044117 - 2073578)	
29	901-319-10065	BOLT,HEXAGON SOCKET M10X65								4								- 044117 - 2073578)	
29	901-319-10065	BOLT,HEXAGON SOCKET M10X65								4								044118 - (2073578 -)	
29	901-319-10065	BOLT,HEXAGON SOCKET M10X65			4													- 044117 - 2073578)	
30	360-116-71000	VALVE ASSY,CHECK								1								044118 - (2073578 -)	
30	360-116-71000	VALVE ASSY,CHECK			1													- 044117 - 2073578)	
30	360-116-71000	VALVE ASSY,CHECK			1													044118 - (2073578 -)	
31	910-011-03500	O.RING 1A P35								1								- 044117 - 2073578)	
31	910-011-03500	O.RING 1A P35			1													044118 - (2073578 -)	
32	902-032-01400	NUT M14								2								- 044117 - 2073578)	
32	902-032-01400	NUT M14			2													044118 - (2073578 -)	
32	902-032-01400	NUT M14			2													- 044117 - 2073578)	
33	360-100-60350	BOLT								6								044118 - (2073578 -)	
33	360-100-60350	BOLT			2													- 044117 - 2073578)	
33	360-100-60350	BOLT			2													044118 - (2073578 -)	
34	370-004-02120	BEARING,PLAIN ASSY (WITH PACKINGX2)								2								- 044117 - 2073578)	
34	370-004-02120	BEARING,PLAIN ASSY (WITH PACKINGX2)			2													044118 - (2073578 -)	
34	370-004-02120	BEARING,PLAIN ASSY (WITH PACKINGX2)			2													- 044117 - 2073578)	
36	910-028-03200	O.RING 1B P32								1								- 044117 - 2073578)	
36	910-028-03200	O.RING 1B P32			1													044118 - (2073578 -)	
36	910-028-03200	O.RING 1B P32			1													- 044117 - 2073578)	
37	913-502-06000	BEARING,PLAIN ASSY (WITH PACKINGX2)								1								044118 - (2073578 -)	
37	913-502-06000	BEARING,PLAIN ASSY (WITH PACKINGX2)			1													- 044117 - 2073578)	
37	913-502-06000	BEARING,PLAIN ASSY (WITH PACKINGX2)			1													044118 - (2073578 -)	
39	360-101-20201	PISTON								1								- 044117 - 2073578)	
39	360-101-20201	PISTON			1													044118 - (2073578 -)	
39	360-101-20201	PISTON			1													- 044117 - 2073578)	

組立名称 Assembly Name		シリンダ・テレスコーピング CYLINDER, TELESCOPING		FIG. PGI05-0069-04															
スペック 番号 Specification No.		A < 310-120-20010 (2) > B < 310-120-20020 (3) > C < 310-120-20030 (4) > D < 310-120-20040 (5) > E < 310-120-20050 (6M) > F < 310-120-20110 (2 H) > G < 310-120-20120 (3 H) > H < 310-120-20130 (4 H) > I < 310-120-20140 (5 H) > J < 310-120-20150 (6M H) >																	
指示番号 Key No.	部品番号 Part No.	部品名称 Part Name	Q'ty Per Section 個数													実装号 (変更番号)	Serial No. Modif. No.	ページ Page	
			A	B	C	D	E	F	G	H	I	J	K	L	M				N
40	907-500-08081	SCREW, SET HBX8																	
40	907-500-08081	SCREW, SET HBX8																044117 - 2073578)	
40	907-500-08081	SCREW, SET HBX8																044118 - (2073578 -)	
41	366-201-30000	VALVE, CHECK																044117 - (- 2073578)	
41	366-227-30000	VALVE ASSY, CHECK																044118 - (2073578 -)	
41	366-227-30000	VALVE ASSY, CHECK																044118 - (2073578 -)	
42	360-100-60360	STOPPER																044117 - 2073578)	
42	360-100-60360	STOPPER																044118 - (2073578 -)	
42	360-100-60360	STOPPER																044118 - (2073578 -)	
43	360-116-71500	PIPE																044117 - (- 2073578)	
43	360-116-71500	PIPE																044118 - (2073578 -)	
43	360-116-71500	PIPE																044626 - (2075636 -)	
45	360-116-71500	PIPE																044626 - 044117 (2075636 - 2073578)	
44	360-116-70300	CYLINDER																044117 - (- 2073578)	
44	360-116-73300	CYLINDER																044118 - (2073578 -)	
45	360-116-70500	ROD																044117 - 2073578)	
45	360-116-70500	ROD																044118 - (2073578 -)	
45	360-116-70500	ROD																044118 - (2073578 -)	
46	910-029-05500	O-RING 1B G55																044117 - 2073578)	
46	910-029-05500	O-RING 1B G55																044118 - (2073578 -)	
46	910-029-05500	O-RING 1B G55																044118 - (2073578 -)	
47	360-116-71600	COVER, ROD																044117 - 2073578)	
47	360-116-71600	COVER, ROD																044118 - (2073578 -)	
47	360-116-71600	COVER, ROD																044118 - (2073578 -)	
48	370-005-05440	PLATE																044117 - 2073578)	
48	370-005-05440	PLATE																044118 - (2073578 -)	
48	370-005-05440	PLATE																044118 - (2073578 -)	
49	360-116-72000	VALVE ASSY, CHECK																044117 - 2073578)	
49	360-116-72000	VALVE ASSY, CHECK																044118 - (2073578 -)	
50	910-011-03800	O-RING 1A P38																044117 - 2073578)	
50	910-011-03800	O-RING 1A P38																044118 - (2073578 -)	
50	910-011-03800	O-RING 1A P38																044118 - (2073578 -)	

組立名称 Assembly Name		シリンダ・テレスコーピング CYLINDER, TELESCOPING		FIG. PGI05-0069-04															
スペック 番号 Specification No.		A < 310-120-20010 (2) > B < 310-120-20020 (3) > C < 310-120-20030 (4) > D < 310-120-20040 (5) > E < 310-120-20050 (6M) > F < 310-120-20110 (2 H) > G < 310-120-20120 (3 H) > H < 310-120-20130 (4 H) > I < 310-120-20140 (5 H) > J < 310-120-20150 (6M H) >																	
指示番号 Key No.	部品番号 Part No.	部品名称 Part Name	Q'ty Per Section 個数													実装号 (変更番号)	Serial No. Modif. No.	ページ Page	
			A	B	C	D	E	F	G	H	I	J	K	L	M				N
51	901-319-12065	BOLT, HEXAGON SOCKET M12X65																044117 - 2073578)	
51	901-319-12065	BOLT, HEXAGON SOCKET M12X65																044118 - (2073578 -)	
51	901-319-12065	BOLT, HEXAGON SOCKET M12X65																044118 - (2073578 -)	
52	801-753-04008	SCREW, MACHINE M4X8																044117 - (- 2073578)	
52	801-753-04008	SCREW, MACHINE M4X8																044118 - (2073578 -)	
52	801-753-04008	SCREW, MACHINE M4X8																044118 - (2073578 -)	
53	370-020-01810	PLATE, SLIDE																044117 - 2073578)	
53	370-020-01810	PLATE, SLIDE																044118 - (2073578 -)	
53	370-020-01810	PLATE, SLIDE																044118 - (2073578 -)	
54	370-020-01960	PLATE, SLIDE																040069 - (- 2031385)	
54	370-020-03320	PLATE, SLIDE																044118 - (2073578 -)	
54	370-020-03320	PLATE, SLIDE																040070 - 044117 (2031385 - 2073578)	
55	801-852-06012	SCREW, MACHINE M6X12																044117 - 2073578)	
55	801-852-06012	SCREW, MACHINE M6X12																044118 - (2073578 -)	
55	801-852-06012	SCREW, MACHINE M6X12																044118 - (2073578 -)	
56	370-003-01830	SPACER																044117 - 2073578)	
56	370-003-01830	SPACER																044118 - (2073578 -)	
56	370-003-01830	SPACER																044118 - (2073578 -)	
57	370-011-01900	ROLLER																044117 - 2073578)	
57	370-011-01900	ROLLER																044118 - (2073578 -)	
57	370-011-01900	ROLLER																044118 - (2073578 -)	
58	806-011-10120	RING, RETAINING S12																044117 - 2073578)	
58	806-011-10120	RING, RETAINING S12																044118 - (2073578 -)	
58	806-011-10120	RING, RETAINING S12																044118 - (2073578 -)	
59	370-002-00940	PIN																044117 - 2073573)	
59	370-002-00940	PIN																044118 - (2073578 -)	
59	370-002-00940	PIN																044118 - (2073578 -)	
60	360-116-71800	PLATE, SLIDE																044117 - 2073578)	
60	360-116-71800	PLATE, SLIDE																044118 - (2073578 -)	
60	360-116-71800	PLATE, SLIDE																044118 - (2073578 -)	
61	901-319-06018	BOLT, HEXAGON SOCKET M6X18																044117 - 2073578)	
61	901-319-06018	BOLT, HEXAGON SOCKET M6X18																044118 - (2073578 -)	
61	901-319-06018	BOLT, HEXAGON SOCKET M6X18																044118 - (2073578 -)	
62	370-001-26760	PIN																044117 - 2073578)	

組立名称 Assembly Name		シリンダ・テレスコーピング CYLINDER, TELESCOPING		FIG. PGI05-0069-04															
スペック番号 Specification No.		A < 310-120-20010 (2) > B < 310-120-20020 (3) > C < 310-120-20030 (4) > D < 310-120-20040 (5) > E < 310-120-20050 (6M) > F < 310-120-20110 (2 H) > G < 310-120-20120 (3 H) > H < 310-120-20130 (4 H) > I < 310-120-20140 (5 H) > J < 310-120-20150 (6M H) >																	
指示番号 Key No.	部品番号 Part No.	部品名称 Part Name	Q'ty Per Section 個数													実施号機 (変更番号) Serial No. Modifi. No.	ページ Page		
			A	B	C	D	E	F	G	H	I	J	K	L	M			N	O
62	370-001-26760	PIN				1												044117 - 2073578)	
62	370-001-26760	PIN				1												044118 (2073578 -)	
63	913-502-06500	BEARING,PLAIN ASSY (WITH PACKINGX2)										1						044117 - 2073578)	
63	913-502-06500	BEARING,PLAIN ASSY (WITH PACKINGX2)				1												044118 (2073578 -)	
63	913-502-06500	BEARING,PLAIN ASSY (WITH PACKINGX2)				1												044118 (2073578 -)	
65	910-029-03500	O-RING 1B G35											1					044117 - 2073578)	
65	910-029-03500	O-RING 1B G35				1												044118 (2073578 -)	
65	910-029-03500	O-RING 1B G35				1												044118 (2073578 -)	
66	360-100-60051	PISTON										1						044117 - 2073578)	
66	360-100-60051	PISTON				1												044117 (2073578 -)	
66	360-100-60051	PISTON				1												044118 (2073578 -)	
66	360-100-60051	PISTON				1												044118 (2073578 -)	
67	360-116-71700	PIPE				1						1						044625 - 2075636)	
67	360-116-71700	PIPE				1												044118 (2073578 -)	
68	360-116-70600	CYLINDER				1												044117 - 2073578)	
68	360-116-73600	CYLINDER										1						044118 - 2073578)	
68	360-116-73600	CYLINDER				1												044118 (2073578 -)	
69	360-116-70800	ROD				1												040049 - 2032187)	
69	360-121-50300	ROD										1						044118 (2073578 -)	
69	360-121-50300	ROD				1												040050 - 044117 (2032187 - 2073578)	
69	360-121-50300	ROD				1												044118 (2073578 -)	
70	910-029-06000	O-RING 1B G60											1					044117 - 2073578)	
70	910-029-06000	O-RING 1B G60				1												044118 (2073578 -)	
70	910-029-06000	O-RING 1B G60				1												044118 (2073578 -)	
71	360-100-60182	COVER,ROD											1					044117 - 2073578)	
71	360-100-60182	COVER,ROD				1												044118 (2073578 -)	
71	360-100-60182	COVER,ROD				1												044117 - 2073578)	
72	916-940-04500	PACKING											1					044117 - 2073578)	
72	916-940-04500	PACKING				1												044118 (2073578 -)	
72	916-940-04500	PACKING				1												044117 - 2073578)	
72	916-940-04500	PACKING				1												044118 (2073578 -)	
73	360-104-10200	PLATE											1					044117 - 2073578)	
73	360-104-10200	PLATE				1												044118 (2073578 -)	
73	360-104-10200	PLATE				1												044117 - 2073578)	
74	916-600-04501	SEAL,DUST											1					044117 - 2073578)	
74	916-600-04501	SEAL,DUST				1												044118 (2073578 -)	
74	916-600-04501	SEAL,DUST				1												044117 - 2073578)	
74	916-600-04501	SEAL,DUST				1												044118 (2073578 -)	

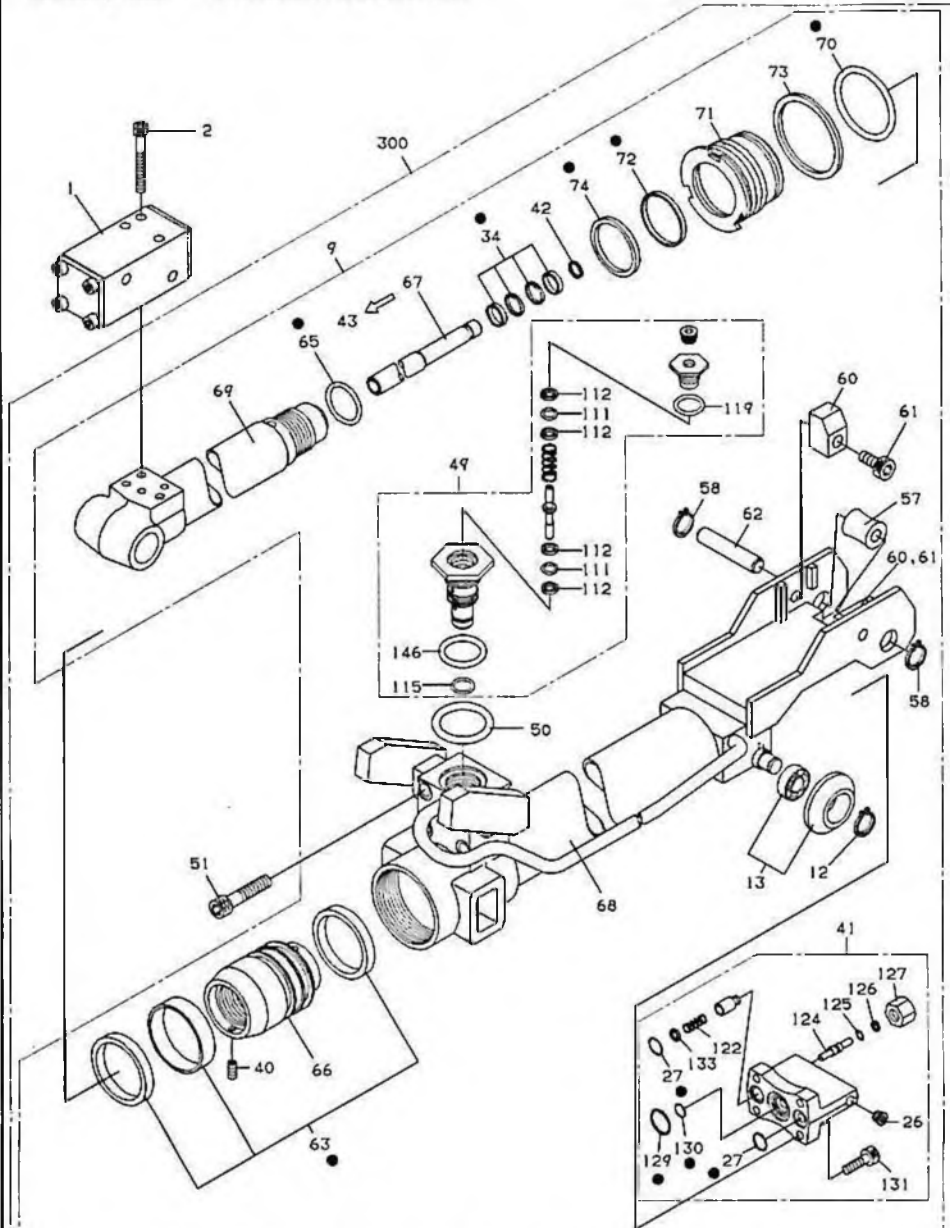
組立名称 Assembly Name		シリンダ・テレスコーピング CYLINDER, TELESCOPING		FIG. PGI05-0069-04															
スペック番号 Specification No.		A < 310-120-20010 (2) > B < 310-120-20020 (3) > C < 310-120-20030 (4) > D < 310-120-20040 (5) > E < 310-120-20050 (6M) > F < 310-120-20110 (2 H) > G < 310-120-20120 (3 H) > H < 310-120-20130 (4 H) > I < 310-120-20140 (5 H) > J < 310-120-20150 (6M H) >																	
指示番号 Key No.	部品番号 Part No.	部品名称 Part Name	Q'ty Per Section 個数													実施号機 (変更番号) Serial No. Modifi. No.	ページ Page		
			A	B	C	D	E	F	G	H	I	J	K	L	M			N	O
111	910-011-00900	O-RING 1A P9											4					044117 - 2073578)	
111	910-011-00900	O-RING 1A P9											4					044118 (2073578 -)	
111	910-011-00900	O-RING 1A P9											4					044117 - 2073578)	
112	914-110-00900	RING,BACKUP												8				044117 - 2073578)	
112	914-110-00900	RING,BACKUP												8				044118 (2073578 -)	
112	914-110-00900	RING,BACKUP												8				044117 - 2073578)	
112	914-110-00900	RING,BACKUP												8				044118 (2073578 -)	
115	910-028-01600	O-RING 1B P16											2					044117 - 2073578)	
115	910-028-01600	O-RING 1B P16											2					044118 (2073578 -)	
115	910-028-01600	O-RING 1B P16											2					044117 - 2073578)	
115	910-028-01600	O-RING 1B P16											2					044118 (2073578 -)	
116	910-028-02100	O-RING 1B P21											1					044117 - 2073578)	
116	910-028-02100	O-RING 1B P21											1					044118 (2073578 -)	
116	910-028-02100	O-RING 1B P21											1					044117 - 2073578)	
116	910-028-02100	O-RING 1B P21											1					044118 (2073578 -)	
119	910-011-02500	O-RING 1A P25											2					044117 - 2073578)	
119	910-011-02500	O-RING 1A P25											2					044118 (2073578 -)	
119	910-011-02500	O-RING 1A P25											2					044117 - 2073578)	
119	910-011-02500	O-RING 1A P25											2					044118 (2073578 -)	
122	136-160-75000	SPRING											2					044117 - 2073578)	
122	370-012-01560	SPRING											2					044118 (2073578 -)	
122	370-012-01560	SPRING											2					044117 - 2073578)	
124	366-200-40020	ROD											2					044117 - 2073578)	
124	366-227-30200	ROD											2					044118 - 2073578)	
124	366-227-30200	ROD											2					044117 - 2073578)	
124	366-227-30200	ROD											2					044118 (2073578 -)	
125	910-011-00600	O-RING 1A P6											2					044117 - 2073578)	
125	910-011-00600	O-RING 1A P6											2					044118 (2073578 -)	
125	910-011-00600	O-RING 1A P6											2					044117 - 2073578)	
125	910-011-00600	O-RING 1A P6											2					044118 (2073578 -)	
126	914-110-00600	RING,BACKUP P6											2					044117 - 2073578)	
126	914-110-00600	RING,BACKUP P6											2					044118 (2073578 -)	
126	914-110-00600	RING,BACKUP P6											2					044117 - 2073578)	
126	914-110-00600	RING,BACKUP P6											2					044118 (2073578 -)	
127	366-201-30010	CAP											2					044117 - 2073578)	
127	366-227-30400	CAP											2					044118 (2073578 -)	
127	366-227-30400	CAP											2					044117 - 2073578)	
127	366-227-30400	CAP											2					044118 (2073578 -)	
129	910-012-02500	O-RING 1A G25											2					044117 - 2073578)	
129	910-012-02500	O-RING 1A G25											2					044118 (2073578 -)	
129	910-012-02500	O-RING 1A G25											2					044117 - 2073578)	
129	910-012-02500	O-RING 1A G25											2					044118 (2073578 -)	
130	910-028-01500	O-RING 1B P15											2					044117 - 2073578)	
130	910-028-01500	O-RING 1B P15											2					044118 (2073578 -)	
130	910-028-01500	O-RING 1B P15											2					044117 - 2073578)	
130	910-028-01500	O-RING 1B P15											2					044118 (2073578 -)	

組立名件 Assembly Name		シリンダ・テレスコーピング CYLINDER, TELESCOPING		FIG. PG105-0069-04														
スペック Specification	番 No.	A < 310-120-20010 (2) > B < 310-120-20020 (3) > C < 310-120-20030 (4) > D < 310-120-20040 (5) > E < 310-120-20050 (6H) > F < 310-120-20110 (2 H) > G < 310-120-20120 (3 H) > H < 310-120-20130 (4 H) > I < 310-120-20140 (5 H) > J < 310-120-20150 (6H H) >																
指示番号 Key No.	部品番号 Part No.	部品名 Part Name	Qty Per Section 個数										実装号 (変更番号) Serial No. Modif. No.	ページ Page				
			A	B	C	D	E	F	G	H	I	J			K	L	M	N
130	910-028-01500	O,RING 1B P15				2											044118 - (2073578 -)	
131	901-317-08025	BOLT, HEXAGON SOCKET M8X25													8			
131	901-317-08025	BOLT, HEXAGON SOCKET M8X25															(- 044117 - 2073578)	
131	901-317-08025	BOLT, HEXAGON SOCKET M8X25															044118 - (2073578 -)	
133	366-227-30500	SPACER												2				
133	366-227-30500	SPACER															044118 - (2073578 -)	
146	910-028-02201	O,RING 1B P22A													1			
146	910-028-02201	O,RING 1B P22A															(- 044117 - 2073578)	
146	910-028-02201	O,RING 1B P22A															044118 - (2073578 -)	
160	360-121-59900	PACKING KIT (NO. 1CYLINDER)																
160	360-121-59900	PACKING KIT (NO. 1CYLINDER)															(- 044117 - 2073578)	
160	360-121-59900	PACKING KIT (NO. 1CYLINDER)															044118 - (2073578 -)	
170	360-116-79911	PACKING KIT (NO. 2CYLINDER)																
170	360-116-79911	PACKING KIT (NO. 2CYLINDER)															(- 044117 - 2073578)	
170	360-116-79911	PACKING KIT (NO. 2CYLINDER)															044118 - (2073578 -)	
180	360-105-49910	PACKING KIT (NO. 2CYLINDER)															(- 040049 - 2032186)	
180	360-105-49910	PACKING KIT (NO. 2CYLINDER)															(- 044118 - 040049 - (2073578 - 2032186)	
180	360-116-79920	PACKING KIT (NO. 3CYLINDER)																
180	360-116-79920	PACKING KIT (NO. 3CYLINDER)															040050 - (2032186 -)	
180	360-116-79920	PACKING KIT (NO. 3CYLINDER)															(- 040050 - 044117 - (2032186 - 2073578)	
300	360-116-70000	CYLINDER ASSY															(- 044117 - 2073578)	
300	360-116-70001	CYLINDER ASSY																
500	360-116-70001	CYLINDER ASSY															044118 - (2073578 -)	

MEMO

組立名称 シリンダ、テレスコーピング
Assembly Name CYLINDER, TELESCOPING

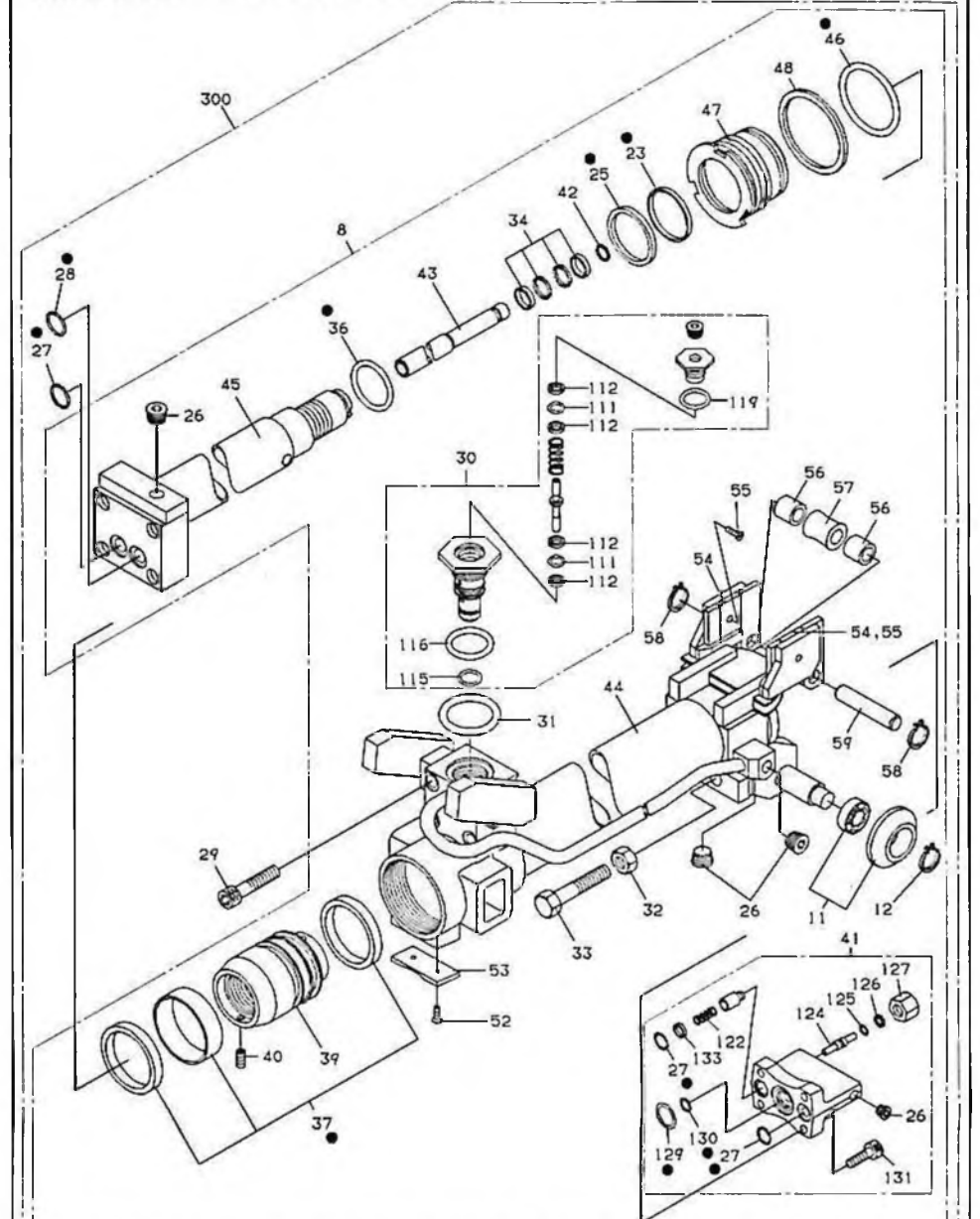
PG105-0070-04



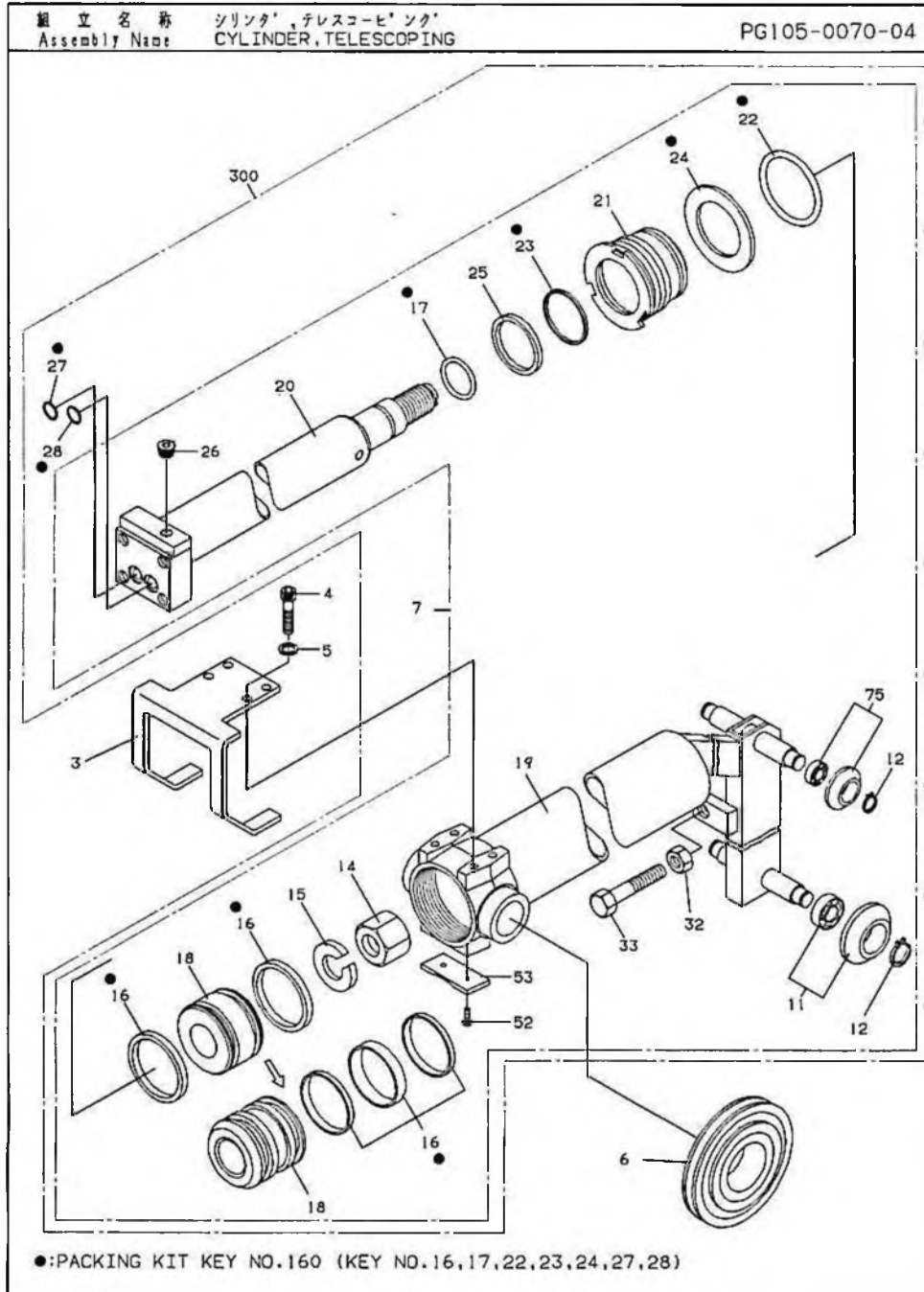
●:PACKING KIT KEY NO.180 (KEY NO.27,34,63,65,70,72,74,129,130)

組立名称 シリンダ、テレスコーピング
Assembly Name CYLINDER, TELESCOPING

PG105-0070-04



●:PACKING KIT KEY NO.170 (KEY NO.23,25,27,28,36,37,46,129,130)



組立名称 シリンダ、テレスコーピング
 Assembly Name CYLINDER, TELESCOPING

FIG. PG105-0070-04

スペック番号 A < 310-120-20010 (2) > B < 310-120-20020 (3) > C < 310-120-20030 (4) >
 Specification No. D < 310-120-20040 (5) > E < 310-120-20050 (6M) > F < 310-120-20110 (2 H) >
 G < 310-120-20120 (3 H) > H < 310-120-20150 (4 H) > I < 310-120-20140 (5 H) >
 J < 310-120-20150 (6H H) >

指示番号 Key No.	部品番号 Part No.	部品名称 Part Name	Qty Per Section 個数													実施号 Serial No. (変更番号 Modif. No.)	ページ Page	
			A	B	C	D	E	F	G	H	I	J	K	L	M			N
1	366-021-10000	VALVE,COUNTERBALANCE						1								1		192
2	901-317-08060	BOLT,HEXAGON SOCKET H8X60						3								3		
3	312-102-11000	SUPPORT						1								1		
4	901-315-08014	BOLT,HEXAGON SOCKET H8X14						4								4		
5	903-020-40801	WASHER,SPRING 8						4								4		
6	370-010-04590	SHEAVE ASSY						2								2		
7	360-118-59530	CYLINDER ASSY (NO.3)														1		- 044117 - 2073579)
7	360-118-59530	CYLINDER ASSY (NO.3)														1	044118 - (2073579 -)	
7	360-118-59530	CYLINDER ASSY (NO.3)														1		- 044117 - 2073579)
8	360-118-59520	CYLINDER ASSY (NO.2)														1		- 044117 - 2073579)
8	360-118-59521	CYLINDER ASSY (NO.2)														1		
8	360-118-59521	CYLINDER ASSY (NO.2)														1	044118 - (2073579 -)	
9	360-118-59510	CYLINDER ASSY (NO.1)														1		- 044117 - 2073579)
9	360-118-59511	CYLINDER ASSY (NO.1)														1		
9	360-118-59511	CYLINDER ASSY (NO.1)														1	044118 - (2073579 -)	
11	370-011-03370	ROLLER ASSY (ASSY ONLY)														4		- 044117 - 2073579)
11	370-011-03370	ROLLER ASSY (ASSY ONLY)														4		
11	370-011-03370	ROLLER ASSY (ASSY ONLY)														4	044118 - (2073579 -)	
12	806-011-10150	RING,RETAINING 15														8		
12	806-011-10150	RING,RETAINING 15														8		- 044117 - 2073579)
12	806-011-10150	RING,RETAINING 15														8	044118 - (2073579 -)	
13	370-011-03490	ROLLER ASSY (ASSY ONLY)														2		- 044117 - 2073579)
13	370-011-03490	ROLLER ASSY (ASSY ONLY)														2		
13	370-011-03490	ROLLER ASSY (ASSY ONLY)														2	044118 - (2073579 -)	
14	902-092-02700	NUT M27X2														1		
14	902-092-02700	NUT M27X2														1		- 044117 - 2073579)
14	902-092-02700	NUT M27X2														1	044118 - (2073579 -)	
15	903-020-42701	WASHER,SPRING 27														1		
15	903-020-42701	WASHER,SPRING 27														1		- 044117 - 2073579)
15	903-020-42701	WASHER,SPRING 27														1	044118 - (2073579 -)	
16	915-003-05504	PACKING ODI 55456														2		- 040049 - 2052179)
16	915-003-05504	PACKING ODI 55456														2		
16	916-841-05500	PACKING														2		044118 - (2073579 -)
16	916-841-05500	PACKING														2		- 044780 - 2079903)
16	916-841-05500	PACKING														4		040050 - (2032179 - 2079903)
16	913-502-05500	BEARING,PLAIN ASSY (WITH PACKINGX2)														1		044781 - (2079903 -)

組立名称 Assembly Name		シリンダ・テレスコーピング CYLINDER, TELESCOPING		FIG. PG105-0070-04															
スペック番号 Specification No.	A < 310-120-20010 (2) > B < 310-120-20020 (3) > C < 310-120-20030 (4) > D < 310-120-20040 (5) > E < 310-120-20050 (6H) > F < 310-120-20110 (2H) > G < 310-120-20120 (3H) > H < 310-120-20130 (4H) > I < 310-120-20140 (5H) > J < 310-120-20150 (6H) >																		
指示番号 Key No.	部品番号 Part No.	部品名称 Part Name	Qty Per Section 個数													実装号機 (変更番号) Serial No. Modifi. No.	ページ Page		
			A	B	C	D	E	F	G	H	I	J	K	L	M	N	O		
16	913-502-05500	BEARING,PLAIN ASSY (WITH PACKINGX2)																044781 - 044117 (2079903 - 2073579)	
17	910-029-02500	O,RING 1B G25																- 044117 - 2073579)	
17	910-029-02500	O,RING 1B G25																044118 - (2073579 -)	
17	910-029-02500	O,RING 1B G25																040049 - (2032179 -)	
18	360-100-60310	PISTON																044118 - 040049 (2073579 - 2032179)	
18	360-121-50600	PISTON																044780 - 044780 (040050 - 2079903)	
18	360-121-50600	PISTON																044780 - 044780 (2032179 - 2079903)	
18	360-313-63000	PISTON																044781 - 044781 (2079903 -)	
18	360-313-63000	PISTON																044781 - 044117 (2079903 - 2073579)	
19	360-116-50100	CYLINDER																- 044117 - 2073579)	
19	360-118-50100	CYLINDER																044118 - (2073579 -)	
20	360-116-70200	ROD																- 044117 - 2073579)	
20	360-116-70200	ROD																044118 - (2073579 -)	
21	360-105-44001	COVER,ROD																- 044117 - 2073579)	
21	360-105-44001	COVER,ROD																044118 - (2073579 -)	
21	360-105-44001	COVER,ROD																044118 - (2073579 -)	
22	910-029-05000	O,RING 1B G50																- 044117 - 2073579)	
22	910-029-05000	O,RING 1B G50																044118 - (2073579 -)	
23	916-940-04000	PACKING																- 044117 - 2073579)	
23	916-940-04000	PACKING																044118 - (2073579 -)	
23	916-940-04000	PACKING																044118 - (2073579 -)	
24	360-105-45000	PLATE																- 044117 - 2073579)	
24	360-105-45000	PLATE																044118 - (2073579 -)	
24	360-105-45000	PLATE																044118 - (2073579 -)	
25	916-600-04001	SEAL,DUST																- 044117 - 2073579)	
25	916-600-04001	SEAL,DUST																044118 - (2073579 -)	
25	916-600-04001	SEAL,DUST																044118 - (2073579 -)	
26	803-160-30020	PLUG PT1/8																- 044117 - 2073579)	
26	803-160-30020	PLUG PT1/8																- 044117 - 2073579)	
26	803-160-90020	PLUG PT1/8																- 044117 - 2073579)	
26	803-160-30020	PLUG PT1/8																044118 - (2073579 -)	

組立名称 Assembly Name		シリンダ・テレスコーピング CYLINDER, TELESCOPING		FIG. PG105-0070-04															
スペック番号 Specification No.	A < 310-120-20010 (2) > B < 310-120-20020 (3) > C < 310-120-20030 (4) > D < 310-120-20040 (5) > E < 310-120-20050 (6H) > F < 310-120-20110 (2H) > G < 310-120-20120 (3H) > H < 310-120-20130 (4H) > I < 310-120-20140 (5H) > J < 310-120-20150 (6H) >																		
指示番号 Key No.	部品番号 Part No.	部品名称 Part Name	Qty Per Section 個数													実装号機 (変更番号) Serial No. Modifi. No.	ページ Page		
			A	B	C	D	E	F	G	H	I	J	K	L	M	N	O		
26	803-160-90020	PLUG PT1/8																044118 - (2073579 -)	
26	803-160-90020	PLUG PT1/8																- 044117 - 2073579)	
27	910-011-01400	O,RING 1A P14																- 044117 - 2073579)	
27	910-011-01400	O,RING 1A P14																044118 - (2073579 -)	
27	910-011-01400	O,RING 1A P14																044118 - (2073579 -)	
28	910-011-01000	O,RING 1A P10																- 044117 - 2073579)	
28	910-011-01000	O,RING 1A P10																044118 - (2073579 -)	
29	901-319-10065	BOLT,HEXAGON SOCKET M10X65																- 044117 - 2073579)	
29	901-319-10065	BOLT,HEXAGON SOCKET M10X65																044118 - (2073579 -)	
29	901-319-10065	BOLT,HEXAGON SOCKET M10X65																044118 - (2073579 -)	
30	360-116-71000	VALVE ASSY,CHECK																- 044117 - 2073579)	
30	360-116-71000	VALVE ASSY,CHECK																044118 - (2073579 -)	
30	360-116-71000	VALVE ASSY,CHECK																044118 - (2073579 -)	
31	910-011-03500	O,RING 1A P35																- 044117 - 2073579)	
31	910-011-03500	O,RING 1A P35																044118 - (2073579 -)	
32	902-032-01400	NUT M14																- 044117 - 2073579)	
32	902-032-01400	NUT M14																044118 - (2073579 -)	
32	902-032-01400	NUT M14																044118 - (2073579 -)	
33	360-100-60350	BOLT																- 044117 - 2073579)	
33	360-100-60350	BOLT																044118 - (2073579 -)	
33	360-100-60350	BOLT																044118 - (2073579 -)	
34	370-004-02120	BEARING,PLAIN ASSY (WITH PACKINGX2)																- 044117 - 2073579)	
34	370-004-02120	BEARING,PLAIN ASSY (WITH PACKINGX2)																044118 - (2073579 -)	
34	370-004-02120	BEARING,PLAIN ASSY (WITH PACKINGX2)																044118 - (2073579 -)	
36	910-028-03200	O,RING 1B P32																- 044117 - 2073579)	
36	910-028-03200	O,RING 1B P32																044118 - (2073579 -)	
36	910-028-03200	O,RING 1B P32																044118 - (2073579 -)	
37	913-502-06000	BEARING,PLAIN ASSY (WITH PACKINGX2)																- 044117 - 2073579)	
37	913-502-06000	BEARING,PLAIN ASSY (WITH PACKINGX2)																044118 - (2073579 -)	
37	913-502-06000	BEARING,PLAIN ASSY (WITH PACKINGX2)																044118 - (2073579 -)	
39	360-101-20201	PISTON																- 044117 - 2073579)	
39	360-101-20201	PISTON																044118 - (2073579 -)	
39	360-101-20201	PISTON																044118 - (2073579 -)	

組立名称 Assembly Name		シリンダ・テレスコーピング CYLINDER, TELESCOPING		FIG. PG105-0070-04																
スペック番号 Specification No.		A < 310-120-20010 (2) > B < 310-120-20020 (3) > C < 310-120-20030 (4) > D < 310-120-20040 (5) > E < 310-120-20050 (6H) > F < 310-120-20110 (2 H) > G < 310-120-20120 (3 H) > H < 310-120-20130 (4 H) > I < 310-120-20140 (5 H) > J < 310-120-20150 (6H H) >																		
指示番号 Key No.	部品番号 Part No.	部品名称 Part Name	Qty Per Section 個数													実装号 (変更番号)	Serial No. Modif. No.	ページ Page		
			A	B	C	D	E	F	G	H	I	J	K	L	M	N	O			
40	907-500-08081	SCREW, SET M8X8															2			
40	907-500-08081	SCREW, SET M8X8																		044117 (2073579)
40	907-500-08081	SCREW, SET M8X8																		044118 (2073579)
41	366-201-30000	VALVE, CHECK																		044117 (2073579)
41	366-227-30000	VALVE ASSY, CHECK																		044117 (2073579)
41	366-227-30000	VALVE ASSY, CHECK																		044118 (2073579)
42	360-100-60340	STOPPER																		044117 (2073579)
42	360-100-60340	STOPPER																		044118 (2073579)
42	360-100-60340	STOPPER																		044118 (2073579)
43	360-116-71500	PIPE																		044117 (2073579)
43	360-116-71500	PIPE																		044118 (2073579)
43	360-116-71500	PIPE																		044628 (2075635)
44	360-118-50200	CYLINDER																		044117 (2073579)
44	360-118-51200	CYLINDER																		044118 (2073579)
44	360-118-51200	CYLINDER																		044118 (2073579)
45	360-116-70500	ROD																		044117 (2073579)
45	360-116-70500	ROD																		044118 (2073579)
45	360-116-70500	ROD																		044118 (2073579)
46	910-029-05500	O-RING 10 G55																		044117 (2073579)
46	910-029-05500	O-RING 10 G55																		044118 (2073579)
47	360-116-71600	COVER, ROD																		044117 (2073579)
47	360-116-71600	COVER, ROD																		044118 (2073579)
47	360-116-71600	COVER, ROD																		044118 (2073579)
48	370-005-05440	PLATE																		044117 (2073579)
48	370-005-05440	PLATE																		044118 (2073579)
48	370-005-05440	PLATE																		044118 (2073579)
49	360-116-72000	VALVE ASSY, CHECK																		044117 (2073579)
49	360-116-72000	VALVE ASSY, CHECK																		044118 (2073579)
49	360-116-72000	VALVE ASSY, CHECK																		044118 (2073579)
50	910-011-03800	O-RING 1A P38																		044117 (2073579)
50	910-011-03800	O-RING 1A P38																		044118 (2073579)
50	910-011-03800	O-RING 1A P38																		044118 (2073579)
51	901-319-12065	BOLT, HEXAGON SOCKET M12X65																		044117 (2073579)

組立名称 Assembly Name		シリンダ・テレスコーピング CYLINDER, TELESCOPING		FIG. PG105-0070-04																
スペック番号 Specification No.		A < 310-120-20010 (2) > B < 310-120-20020 (3) > C < 310-120-20030 (4) > D < 310-120-20040 (5) > E < 310-120-20050 (6H) > F < 310-120-20110 (2 H) > G < 310-120-20120 (3 H) > H < 310-120-20130 (4 H) > I < 310-120-20140 (5 H) > J < 310-120-20150 (6H H) >																		
指示番号 Key No.	部品番号 Part No.	部品名称 Part Name	Qty Per Section 個数													実装号 (変更番号)	Serial No. Modif. No.	ページ Page		
			A	B	C	D	E	F	G	H	I	J	K	L	M	N	O			
51	901-319-12065	BOLT, HEXAGON SOCKET M12X65																		044117 (2073579)
51	901-319-12065	BOLT, HEXAGON SOCKET M12X65																		044118 (2073579)
52	801-753-04008	SCREW, MACHINE M4X8																		044117 (2073579)
52	801-753-04008	SCREW, MACHINE M4X8																		044118 (2073579)
52	801-753-04008	SCREW, MACHINE M4X8																		044118 (2073579)
53	370-020-01810	PLATE, SLIDE																		044117 (2073579)
53	370-020-01810	PLATE, SLIDE																		044118 (2073579)
53	370-020-01810	PLATE, SLIDE																		044118 (2073579)
54	370-020-03320	PLATE, SLIDE																		044117 (2073579)
54	370-020-03320	PLATE, SLIDE																		044118 (2073579)
54	370-020-03320	PLATE, SLIDE																		044118 (2073579)
55	801-852-06012	SCREW, MACHINE M6X12																		044117 (2073579)
55	801-852-06012	SCREW, MACHINE M6X12																		044118 (2073579)
55	801-852-06012	SCREW, MACHINE M6X12																		044118 (2073579)
56	370-003-01830	SPACER																		044117 (2073579)
56	370-003-01830	SPACER																		044118 (2073579)
56	370-003-01830	SPACER																		044118 (2073579)
57	370-011-01900	ROLLER																		044117 (2073579)
57	370-011-01900	ROLLER																		044118 (2073579)
57	370-011-01900	ROLLER																		044118 (2073579)
58	806-011-10120	RING, RETAINING S12																		044117 (2073579)
58	806-011-10120	RING, RETAINING S12																		044118 (2073579)
58	806-011-10120	RING, RETAINING S12																		044118 (2073579)
59	370-002-00940	PIN																		044117 (2073579)
59	370-002-00940	PIN																		044118 (2073579)
59	370-002-00940	PIN																		044118 (2073579)
60	360-116-71800	PLATE, SLIDE																		044117 (2073579)
60	360-116-71800	PLATE, SLIDE																		044118 (2073579)
60	360-116-71800	PLATE, SLIDE																		044118 (2073579)
61	901-319-06018	BOLT, HEXAGON SOCKET M6X18																		044117 (2073579)
61	901-319-06018	BOLT, HEXAGON SOCKET M6X18																		044118 (2073579)
61	901-319-06018	BOLT, HEXAGON SOCKET M6X18																		044118 (2073579)
62	370-001-26760	PIN																		044117 (2073579)
62	370-001-26760	PIN																		044118 (2073579)
62	370-001-26760	PIN																		044118 (2073579)

組立名称 Assembly Name		シリンダ・テレスコピック CYLINDER・TELESCOPING		FIG. PG105-0070-04															
スペック番号 Specification No.	部品番号 Part No.	A < 310-120-20010 (2) > B < 310-120-20020 (3) > C < 310-120-20030 (4) > D < 310-120-20040 (5) > E < 310-120-20050 (6H) > F < 310-120-20110 (2 H) > G < 310-120-20120 (3 H) > H < 310-120-20130 (4 H) > I < 310-120-20140 (5 H) > J < 310-120-20150 (6H H) >																	
指示番号 Key No.	部品番号 Part No.	部品名称 Part Name	Qty Per Section 個数													実装号 Serial No. (実装番号 Modifi. No.)	ページ Page		
			A	B	C	D	E	F	G	H	I	J	K	L	M			N	O
63	913-502-06500	BEARING,PLAIN ASSY (WITH PACKINGX2)																044117 - 2073579)	
63	913-502-06500	BEARING,PLAIN ASSY (WITH PACKINGX2)																044118 - 2073579)	
63	913-502-06500	BEARING,PLAIN ASSY (WITH PACKINGX2)																044117 - 2073579)	
65	910-029-03500	O-RING 1B G35																044117 - 2073579)	
65	910-029-03500	O-RING 1B G35																044118 - 2073579)	
65	910-029-03500	O-RING 1B G35																044117 - 2073579)	
66	360-100-60051	PISTON																044117 - 2073579)	
66	360-100-60051	PISTON																044118 - 2073579)	
66	360-100-60051	PISTON																044117 - 2073579)	
67	360-116-71700	PIPE																044117 - 2073579)	
67	360-116-71700	PIPE																044627 - 2075635)	
67	360-116-71700	PIPE																044118 - 2073579)	
68	360-118-50300	CYLINDER																044117 - 2073579)	
68	360-118-51300	CYLINDER																044117 - 2073579)	
68	360-118-51300	CYLINDER																044118 - 2073579)	
69	360-121-50300	ROD																040049 - 2032180)	
69	360-121-50300	ROD																044118 - 2073579)	
69	360-121-50300	ROD																040050 - 044117 (2032180 - 2073579)	
70	910-029-06000	O-RING 1B G60																044117 - 2073579)	
70	910-029-06000	O-RING 1B G60																044118 - 2073579)	
71	360-100-60182	COVER,ROD																044117 - 2073579)	
71	360-100-60182	COVER,ROD																044118 - 2073579)	
71	360-100-60182	COVER,ROD																044117 - 2073579)	
72	916-940-04500	PACKING																044117 - 2073579)	
72	916-940-04500	PACKING																044118 - 2073579)	
72	916-940-04500	PACKING																044117 - 2073579)	
73	360-104-10200	PLATE																044117 - 2073579)	
73	360-104-10200	PLATE																044118 - 2073579)	
74	916-600-04501	SEAL,DUST																044117 - 2073579)	
74	916-600-04501	SEAL,DUST																044118 - 2073579)	
74	916-600-04501	SEAL,DUST																044117 - 2073579)	
75	370-011-03510	ROLLER ASSY (ASSY ONLY)																044117 - 2073579)	

組立名称 Assembly Name		シリンダ・テレスコピック CYLINDER・TELESCOPING		FIG. PG105-0070-04															
スペック番号 Specification No.	部品番号 Part No.	A < 310-120-20010 (2) > B < 310-120-20020 (3) > C < 310-120-20030 (4) > D < 310-120-20040 (5) > E < 310-120-20050 (6H) > F < 310-120-20110 (2 H) > G < 310-120-20120 (3 H) > H < 310-120-20130 (4 H) > I < 310-120-20140 (5 H) > J < 310-120-20150 (6H H) >																	
指示番号 Key No.	部品番号 Part No.	部品名称 Part Name	Qty Per Section 個数													実装号 Serial No. (実装番号 Modifi. No.)	ページ Page		
			A	B	C	D	E	F	G	H	I	J	K	L	M			N	O
75	370-011-03510	ROLLER ASSY (ASSY ONLY)																044117 - 2073579)	
75	370-011-03510	ROLLER ASSY (ASSY ONLY)																044118 - 2073579)	
111	910-011-00900	O-RING 1A P9																044117 - 2073579)	
111	910-011-00900	O-RING 1A P9																044118 - 2073579)	
111	910-011-00900	O-RING 1A P9																044117 - 2073579)	
112	914-110-00900	RING,BACKUP																044117 - 2073579)	
112	914-110-00900	RING,BACKUP																044118 - 2073579)	
112	914-110-00900	RING,BACKUP																044117 - 2073579)	
115	910-028-01600	O-RING 1B P16																044117 - 2073579)	
115	910-028-01600	O-RING 1B P16																044118 - 2073579)	
115	910-028-01600	O-RING 1B P16																044117 - 2073579)	
116	910-028-02100	O-RING 1B P21																044117 - 2073579)	
116	910-028-02100	O-RING 1B P21																044118 - 2073579)	
116	910-028-02100	O-RING 1B P21																044117 - 2073579)	
119	910-011-02500	O-RING 1A P25																044117 - 2073579)	
119	910-011-02500	O-RING 1A P25																044118 - 2073579)	
122	136-160-75000	SPRING																044117 - 2073579)	
122	370-012-01560	SPRING																044118 - 2073579)	
122	370-012-01560	SPRING																044117 - 2073579)	
124	366-200-30200	ROD																044117 - 2073579)	
124	366-227-30200	ROD																044118 - 2073579)	
124	366-227-30200	ROD																044117 - 2073579)	
125	910-011-00600	O-RING 1A P6																044117 - 2073579)	
125	910-011-00600	O-RING 1A P6																044118 - 2073579)	
125	910-011-00600	O-RING 1A P6																044117 - 2073579)	
126	914-110-00600	RING,BACKUP P6																044117 - 2073579)	
126	914-110-00600	RING,BACKUP P6																044118 - 2073579)	
126	914-110-00600	RING,BACKUP P6																044117 - 2073579)	
127	366-201-30010	CAP																044117 - 2073579)	
127	366-227-30400	CAP																044118 - 2073579)	
127	366-227-30400	CAP																044117 - 2073579)	
129	910-012-02500	O-RING 1A G25																044117 - 2073579)	
129	910-012-02500	O-RING 1A G25																044118 - 2073579)	
129	910-012-02500	O-RING 1A G25																044117 - 2073579)	

組立名称 Assembly Name		シリンダ・テレスコーピク CYLINDER-TELESCOPING		FIG. PG105-0070-04															
仕様 Specification	番号 No.	A < 310-120-20010 (2) > B < 310-120-20020 (3) > C < 310-120-20030 (4) > D < 310-120-20040 (5) > E < 310-120-20050 (6M) > F < 310-120-20110 (2 H) > G < 310-120-20120 (3 H) > H < 310-120-20130 (4 H) > I < 310-120-20140 (5 H) > J < 310-120-20150 (6M H) >																	
指示番号 Key No.	部品番号 Part No.	部品名称 Part Name	Q'ty Per Section 個数										実施号 (変更番号)	Serial No. Modifi. No.	ページ Page				
			A	B	C	D	E	F	G	H	I	J				K	L	M	N
130	910-028-01500	O-RING 1B P15																	
130	910-028-01500	O-RING 1B P15																- 044117 - 2073579)	
130	910-028-01500	O-RING 1B P15															(044118 - (2073579 -		
131	901-317-08025	BOLT, HEXAGON SOCKET M8X25																- 044117 - 2073579)	
131	901-317-08025	BOLT, HEXAGON SOCKET M8X25															(
131	901-317-08025	BOLT, HEXAGON SOCKET M8X25															044118 - (2073579 -		
133	366-227-30500	SPACER																- 044118 - (2073579 -	
133	366-227-30500	SPACER																044118 - (2073579 -	
146	910-028-02201	O-RING 1B P22A																	
146	910-028-02201	O-RING 1B P22A																- 044117 (
146	910-028-02201	O-RING 1B P22A															044118 - (2073579 -		
160	360-105-49910	PACKING KIT (NO. 2CYLINDER)																- 040049 - 2032186)	
160	360-105-49910	PACKING KIT (NO. 2CYLINDER)															(044118 - 040049 (2073579 - 2032186)	
160	360-116-79920	PACKING KIT (NO. 3CYLINDER)																040050 - (2032186 -	
160	360-116-79920	PACKING KIT (NO. 3CYLINDER)																040050 - 044117 (2032186 - 2073579)	
170	360-116-79911	PACKING KIT (NO. 2CYLINDER)																- 044117 - 2073579)	
170	360-116-79911	PACKING KIT (NO. 2CYLINDER)															(044118 - (2073579 -	
170	360-116-79911	PACKING KIT (NO. 2CYLINDER)																044118 - (2073579 -	
180	360-121-59900	PACKING KIT (NO. 1CYLINDER)																- 044117 - 2073579)	
180	360-121-59900	PACKING KIT (NO. 1CYLINDER)															(044118 - (2073579 -	
300	360-118-50000	CYLINDER ASSY																- 044117 - 2073579)	
300	360-118-50001	CYLINDER ASSY																044118 - (2073579 -	

MEMO